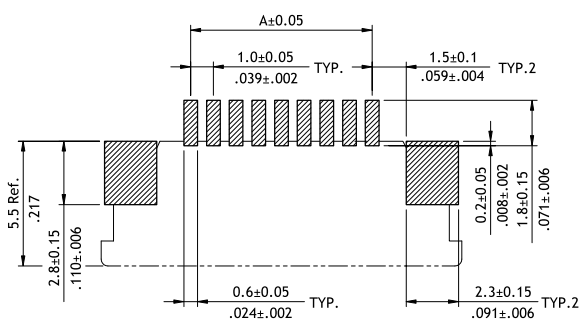
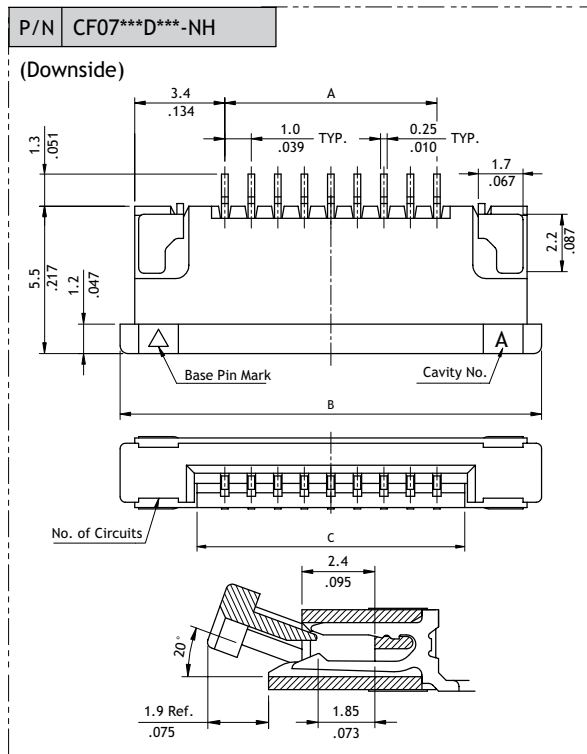
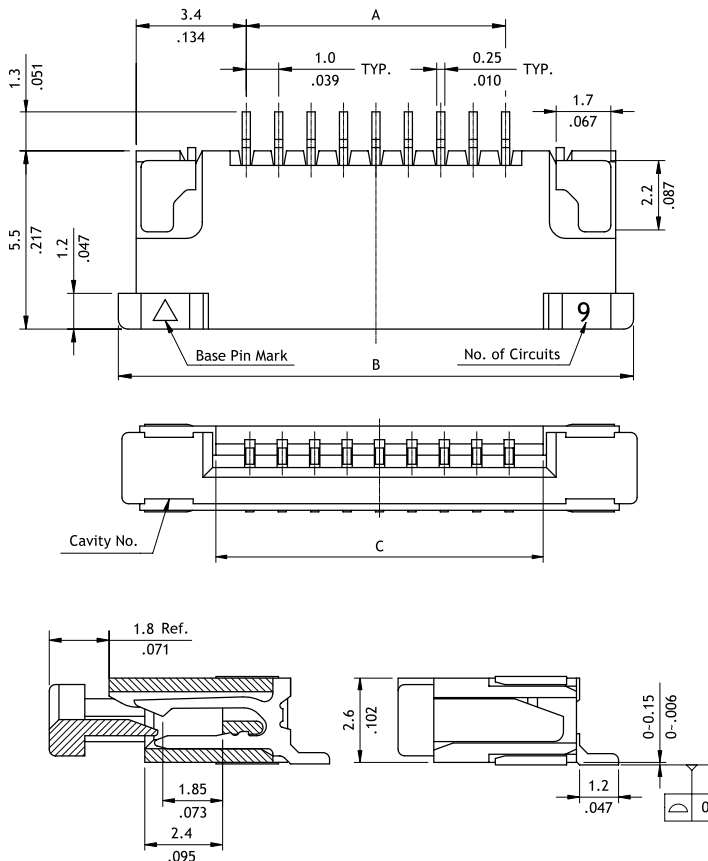
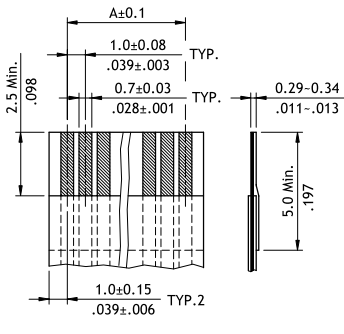


CF07 Series 1.00mm(.039")H=2.60 SMT ZIF FFC/FPC Connectors

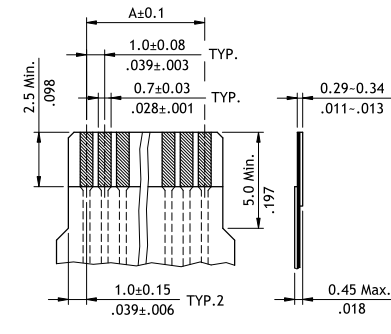
- ⊙ Insulator: High temperature plastic UL 94V-0, Color Nature
- ⊙ Slider: High temperature plastic UL 94V-0, Color Black
- ⊙ With metal fixed tabs to secure connector in place



Solder Pad Pattern



Accommodated FFC



Accommodated FPC

Ordering Code

① CF **②** 07 **③** 32 **④** 1 **⑤** U **⑥** 0 **⑦** R **⑧** 0 - NH

- ①** Series No.
- ②** No. of Circuits: 04 to 32
- ③** Plating Code:
1 = Matte Tin over Nickel
- ④** Contact Style:
U = Upside Contact
D = Downside Contact
- ⑤** Color: 0 = Nature
- ⑥** Packing: R = Tape & Reel
T = Tube
- ⑦** Other Options:
0 = Standard
*Special options consult manufacturer
- ⑧** -NH = For Lead Free soldering process and Halogen-Free