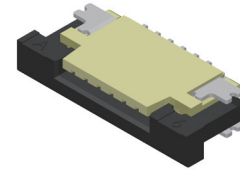
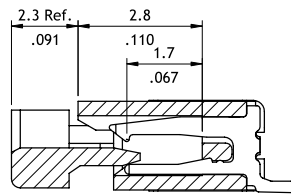
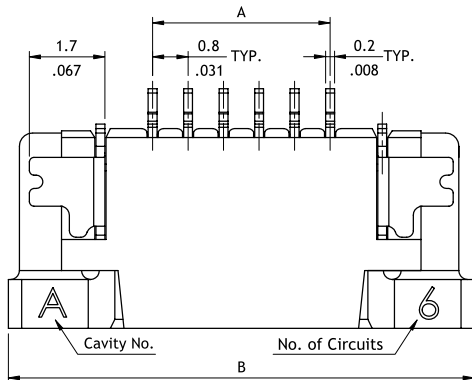


CF17 Series 0.80mm(.031")H=2.00 SMT ZIF Upside FFC/FPC Connectors

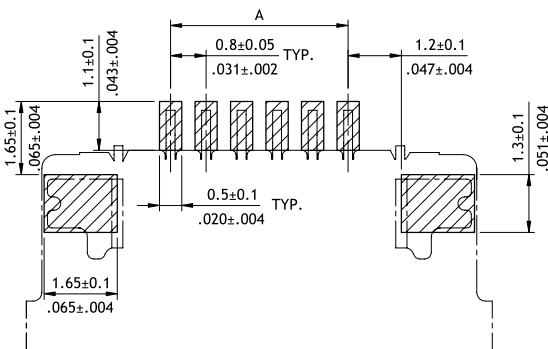
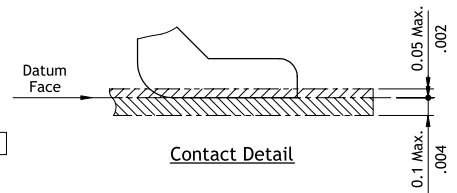
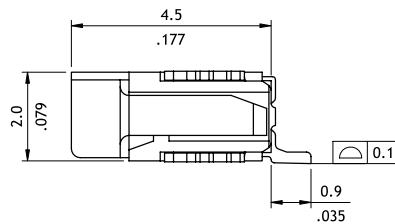
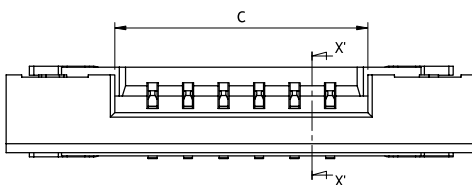
- ⊙ Insulator: High temperature plastic UL 94V-0, Color Nature
- ⊙ Cover: High temperature plastic UL 94V-0, Color Black
- ⊙ With metal fixed tabs to secure connector in place



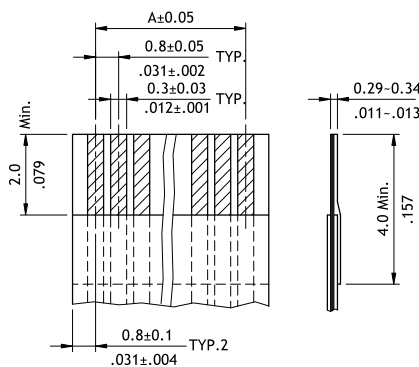
RoHS Compliant



A = 0.80 * No. of Spaces
 B = A + 6.60
 C = A + 1.70



Sold Pad Pattern



Accommodated FFC/FPC

Ordering Code

① CF **②** 17 **③** 34 **④** 1 **⑤** U **⑥** 0 **⑦** R **⑧** A - NH

- ①** Series No.
- ②** No. of Circuits: 04 to 40 (Available: 26,30,34)
Circuits not found above please consult manufacturer
- ③** Plating Code:
1 = Matte Tin over Nickel
2 = Gold flash over Nickel
- ④** Contact Style:
U = Upside Contact
- ⑤** Color: 0 = Nature
- ⑥** Packing: R = Tape & Reel
T = Tube
- ⑦** Other Options: A = Standard
*Special options consult manufacturer
- ⑧** -NH = For Lead Free soldering process and Halogen-Free