

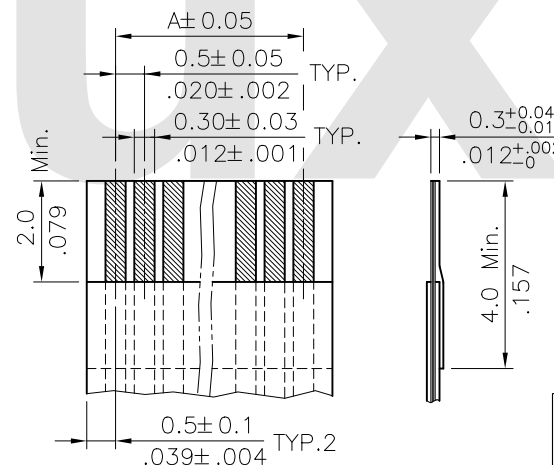
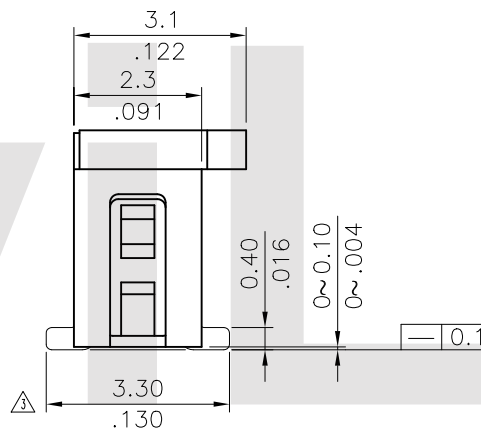
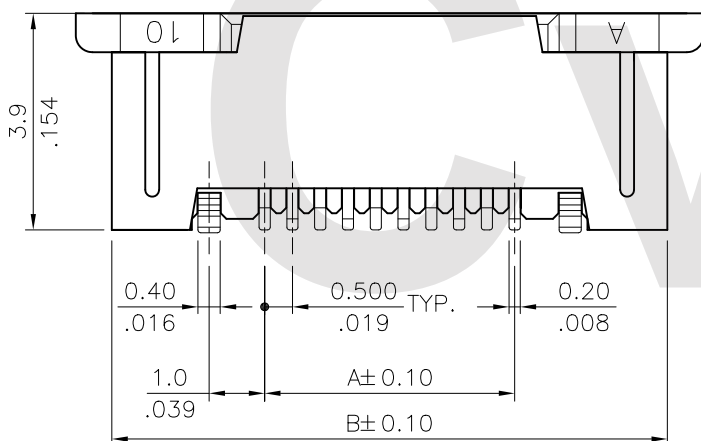
Notes :

- * Body : NYLON 9T With 33% GF. UL 94V-0, Color Nature
- △ * Slider : NYLON 6T With 30% GF. UL 94V-0, Color Black
- * Contact : Phosphor Bronze
- * Fixed tab : Brass, With Matte Tin plated
- * For Lead-Free IR Reflow process

Ordering Code

CF20 ** 1 V 0 * 0 -LF
 ① ② ③ ④ ⑤ ⑥ ⑦ ⑧

- ① Series No.
- ② No. of Circuits
- ③ Plating code: 1 = 3.05μm(120μ") Min. Matte Tin over 0.76μm(30μ") Nickel
- ④ Contact style: V= Vertical Type
- ⑤ Color: 0 = Nature
- ⑥ Packing Type: R= Tape & Reel; T= Tube Packing
- ⑦ Other options: 0 = Standard
- ⑧ -LF= For Lead Free IR Process



Accommodated FFC/FPC

Lead Free Process

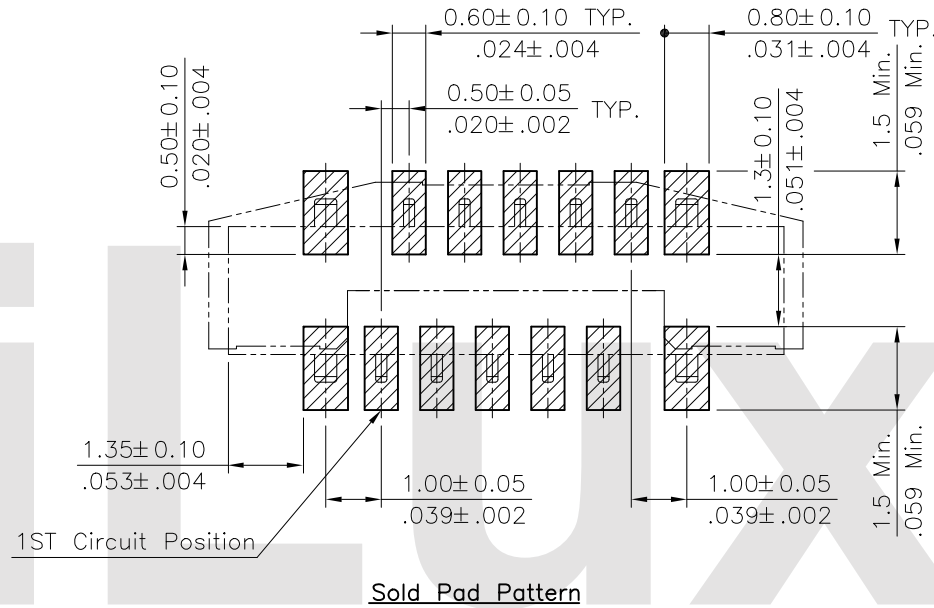
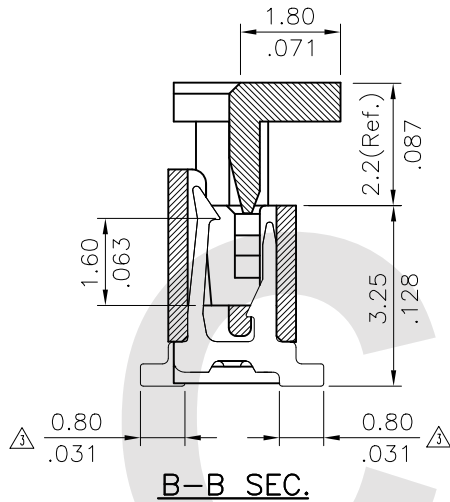
RoHS Compliant



A = 0.50 x No. of Spaces
 B = A + 5.5
 C = A + 1.2
 D = A + 6.8

* Available in 4 through 50 circuits

| | | | | | | | | | | |
|-----|-------|-----------|------------------------------|---------------------|----------|--------------------------------------|--|--------------------------------|----------------------|-------------------------|
| ⑤ | Sandy | 4/7-17' | ECNT117082 | | DATE | UNIT: mm / inch | TITLE: 0.50mm(.020") ZIF FFC/FPC VERTICAL TYPE SURFACE MOUNT CONNECTOR | 瀚荃股份有限公司 CviLux Corporation | | |
| ④ | Karen | 11/11-13' | ECNT113116 | DRAWN BY: Sandy | 4/11-17' | TOLERANCE UNLESS OTHERWISE SPECIFIED | | | | |
| ③ | Una | 8/11-10' | ECN10216/ECR10045-1/ECN10283 | ENGINEER: Sun | 4/12-17' | .X ± 0.15/.006 X: ± 1' | | | | |
| ② | Sandy | 4/27-07' | ECN07153 | CHECKED BY: Eisley | 4/19-17' | .XX ± 0.10/.004 X: ± | | | | |
| SYM | NAME | DATE | REVISIONS | APPROVED BY: Eisley | 4/19-17' | .XXX ± 0.05/.002 XX: ± | | | | |
| | | | | | | | | MATERIAL: | DRAWING NO. CF2055SF | PART NO. CF20**1V0*0-LF |
| | | | | | | | | FINISH: | SCALE 7 / 1 | SHEET 1 OF 3 |

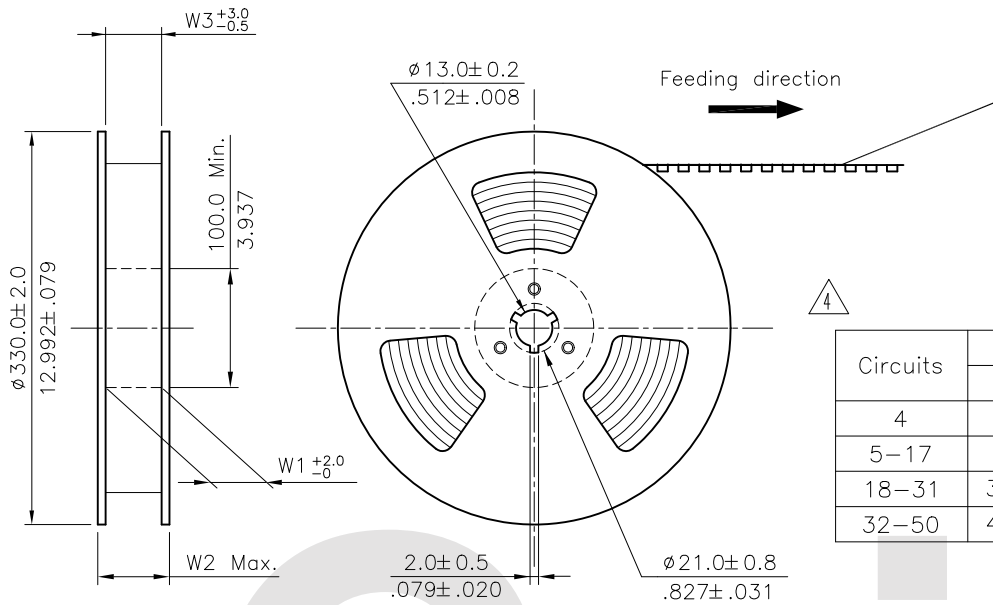


Lead Free Process RoHS compliant

| | | | | | | | | | | | |
|-----|-------|-----------|------------------------------|---------------------|----------|---|--|-----------|---------|----------------------|-------------------------|
| 5 | Sandy | 4/7-17' | ECNT117082 | | DATE | UNIT: mm / inch | TITLE: 0.50mm(.020") ZIF FFC/FPC VERTICAL TYPE SURFACE MOUNT CONNECTOR | MATERIAL: | FINISH: | DRAWING NO. CF2055SF | PART NO. CF20**1V0*0-LF |
| 4 | Karen | 11/11-13' | ECNT113116 | DRAWN BY: Sandy | 4/11-17' | TOLERANCE UNLESS OTHERWISE SPECIFIED | | | | | |
| 3 | Una | 8/11-10' | ECN10216/ECR10045-1/ECN10283 | ENGINEER: Sun | 4/12-17' | .X ± 0.15/.006 X' ± 1' | | | | | |
| 2 | Sandy | 4/27-07' | ECN07153 | CHECKED BY: Eisley | 4/19-17' | .XX ± 0.10/.004 .X' ± | | | | | |
| SYM | NAME | DATE | REVISIONS | APPROVED BY: Eisley | 4/19-17' | .XXX ± 0.05/.002 .XX' ± | | | | | |



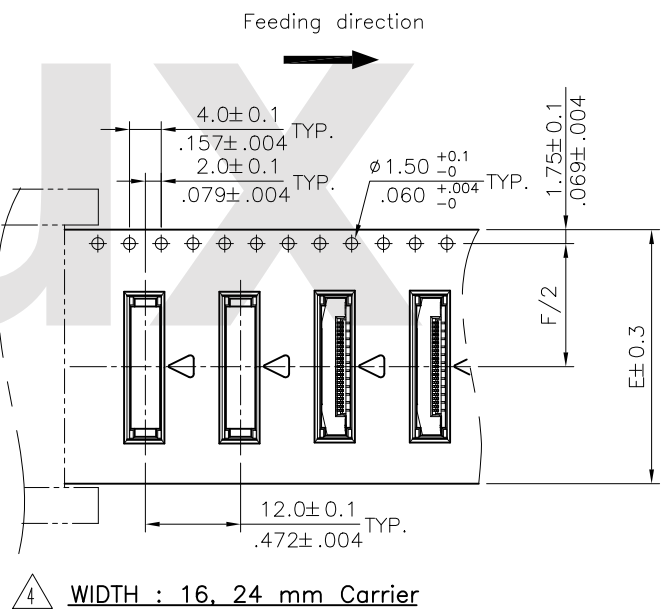
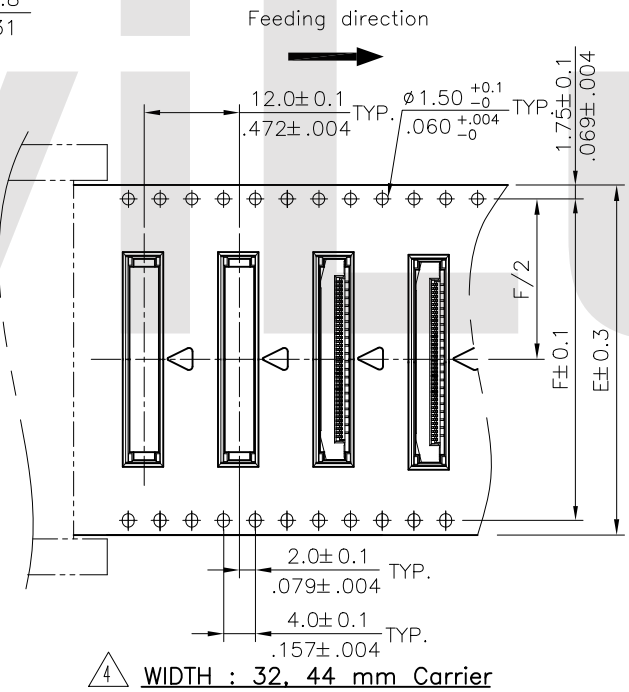
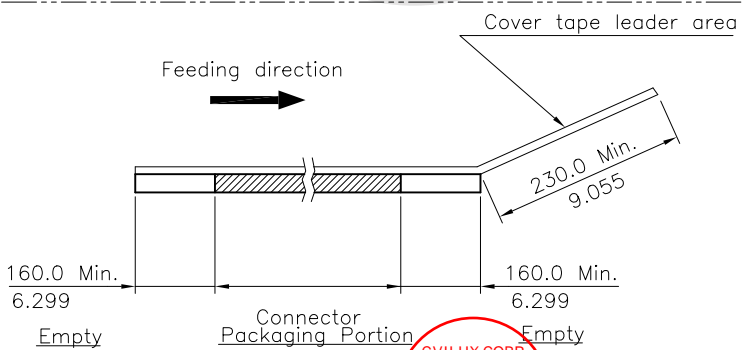
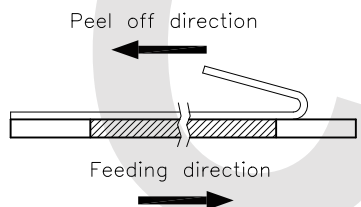
| | | | |
|-------|-------|-------|--------|
| SCALE | 7 / 1 | SHEET | 2 OF 3 |
|-------|-------|-------|--------|



NOTE :

- * Reel Material : Corrugated Paper
- * Carrier Material : Clear, Conductive Polystyrene Alloy
- * Cover Tape Material : Polyester
- * Cover Tape Peel Strength : 0.1N – 1.3N
- * Carrier camber is within 1mm in 100mm
- * All dimensions meet EIA-481-2 & EIA-481-3 requirements.
- * Quantity : 1000 PCS/Reel

| Circuits | Dimension | | | | | Packing (Reel/Cartron) |
|----------|-------------|--------------|-------------|-------------|-------------|------------------------|
| | E | F | W1 | W2 | W3 | |
| 4 | 16.0(.630) | — | 16.5(.650) | 22.5(.886) | 16.5(.650) | 11 |
| 5-17 | 24.0(.945) | — | 24.5(.965) | 30.5(1.200) | 24.5(.965) | 9 |
| 18-31 | 32.0(1.260) | 28.40(1.118) | 32.5(1.280) | 38.5(1.516) | 32.5(1.280) | 7 |
| 32-50 | 44.0(1.732) | 40.40(1.596) | 44.5(1.752) | 50.5(1.988) | 44.5(1.752) | 5 |



RoHS Compliant

| | | | | | | | | | | |
|-----|-------|-----------|------------------------------|--|---------------------|-----------------|--|--------------------------------|----------------------|-------------------------|
| 5 | Sandy | 4/7-17' | ECNT117082 | | DATE | UNIT: mm / inch | TITLE: 0.50mm(.020") ZIF FFC/FPC VERTICAL TYPE SURFACE MOUNT CONNECTOR | 瀚荃股份有限公司 CviLux Corporation | DRAWING NO. CF2055SF | PART NO. CF20**1V0*0-LF |
| 4 | Karen | 11/11-13' | ECNT113116 | | DRAWN BY: Sandy | 4/11-17' | | | | |
| 3 | Una | 8/11-10' | ECN10216/ECR10045-1/ECN10283 | | ENGINEER: Sun | 4/12-17' | .X ± .X' ± 1' | | | |
| 2 | Sandy | 4/27-07' | ECN07153 | | CHECKED BY: Eisley | 4/19-17' | .XX ± .X ± | FINISH: | SCALE | SHEET 3 OF 3 |
| SYM | NAME | DATE | REVISIONS | | APPROVED BY: Eisley | 4/19-17' | .XXX ± .XX ± | | | |