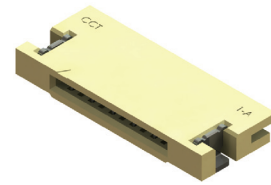
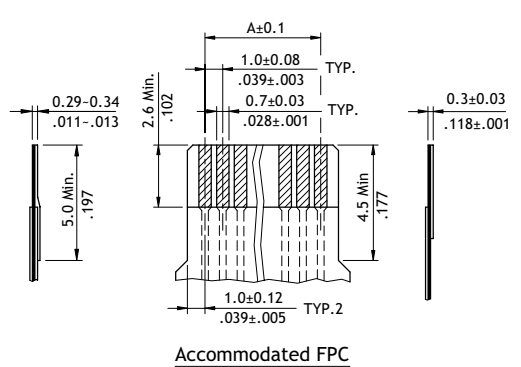
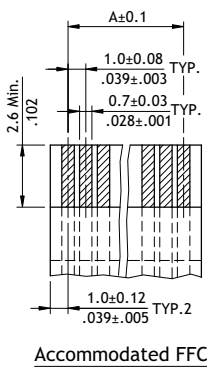
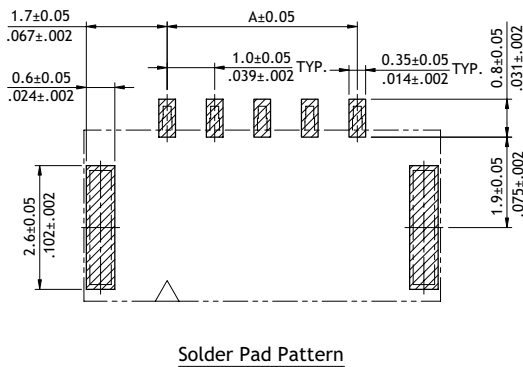
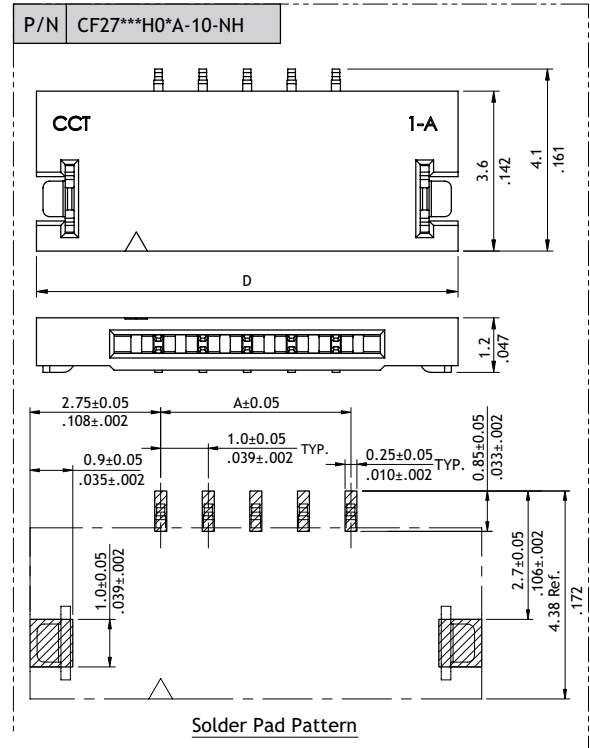
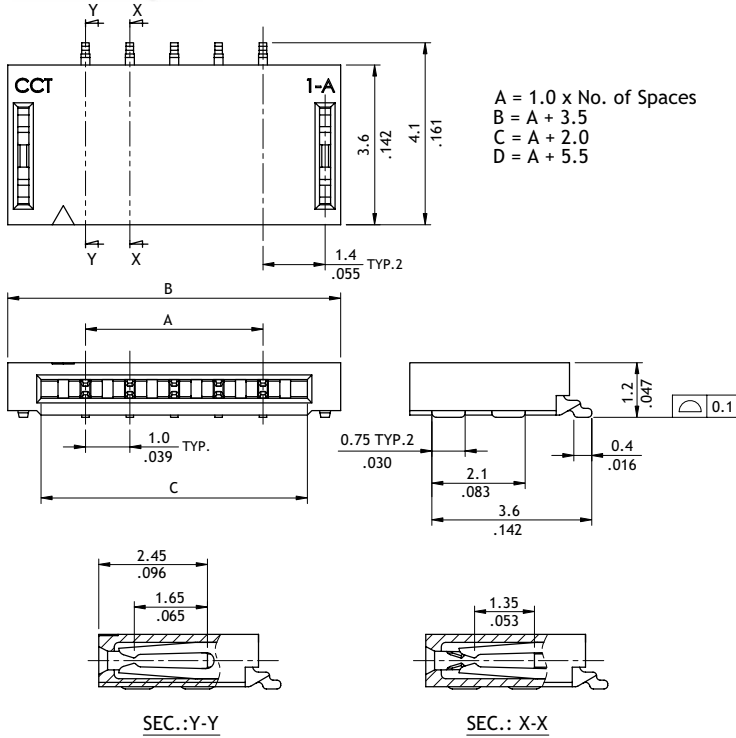


CF27 Series 1.00mm(.039") H=1.20 SMT LIF FFC/FPC Connectors

- ⊙ 1.2mm above the board
- ⊙ Copper alloy dual contacts
- ⊙ Insulation: High temperature plastic UL 94V-0, Color Nature
- ⊙ With metal fixed tabs to secure connector in place



RoHS Compliant



Ordering Code

① ② ③ ④ ⑤ ⑥ ⑦ ⑧ ⑨
CF271H0R0-10-NH

- | | | |
|------------------------------------------------------------------------------------------------------------------------------------------------------------------------------|-----------------------------------------------------------------------------------------------------------------------------------------------------------------------------------------|---------------------------------------------------------------------------------------------------------------------------------------------------------------------------------------------------|
| <p>① Series No.</p> <p>② No. of Circuits: 04 to 10</p> <p>③ Plating Code:
 1 = Matte Tin over Nickel
 2 = Gold flash over Nickel</p> | <p>④ Contact Style:
 H = Side Entry</p> <p>⑤ Color: 0 = Nature</p> <p>⑥ Packing Options:
 R = Tape & Reel
 T = Tube</p> | <p>⑦ Other Options:
 0 = Standard
 A = Base of Wide size</p> <p>⑧ Pitch: 10 = 1.00 mm</p> <p>⑨ -NH = For Lead Free soldering process and Halogen-Free</p> |
|------------------------------------------------------------------------------------------------------------------------------------------------------------------------------|-----------------------------------------------------------------------------------------------------------------------------------------------------------------------------------------|---------------------------------------------------------------------------------------------------------------------------------------------------------------------------------------------------|