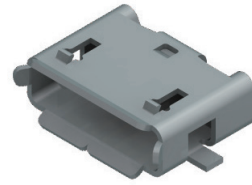
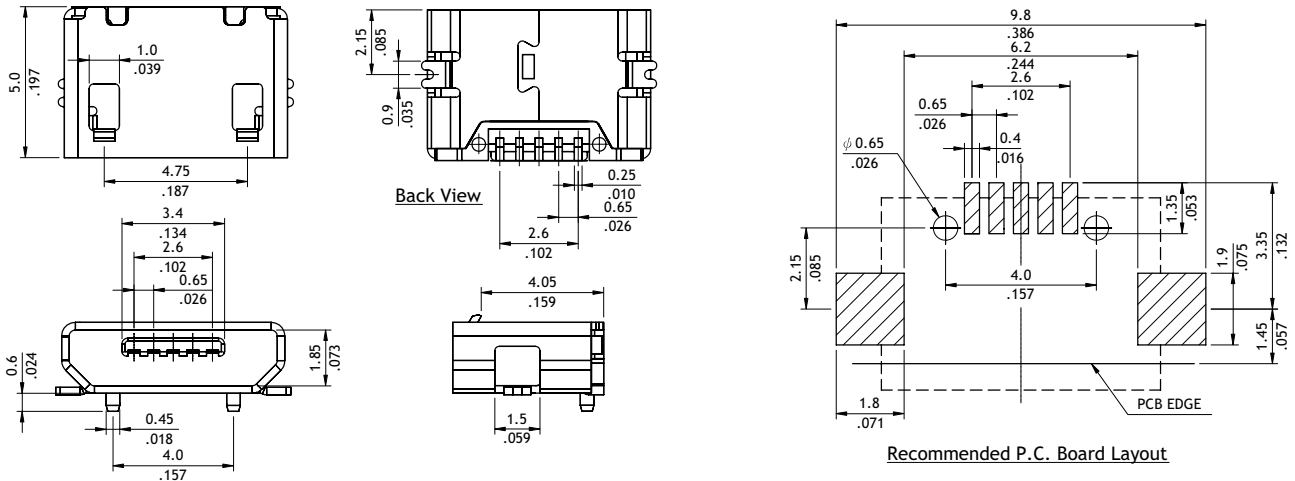


# CU09 Series Micro USB2.0 Connectors

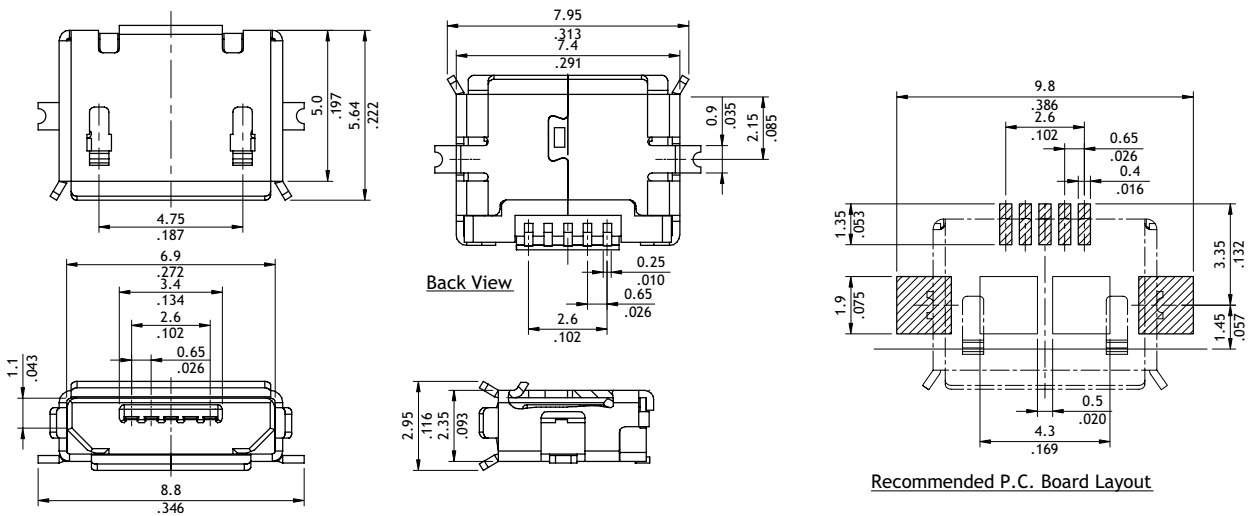
- High temperature plastic for insulator
- With ground pegs
- High durability and long cycle life



P/N CU09S2M15BC



P/N CU09S2M15C0



## Ordering Code

**1** **2** **3** **4** **5** **6** **7** **8**  
**CU09S2M15C0**

- 1** Series No.
- 2** S = Socket
- 3** Plating Option:  
2 = Gold flash plated over Nickel
- 4** Tail Type: M = SMT Type
- 5** Insulator Color: 1 = Black
- 6** No. of Circuits: 5 Pin
- 7** Type: B = Micro USB 5 Pin Type-B  
C = Micro USB 5 Pin Type-AB
- 8** Other Options: 0 = Standard  
C = W/0 Flange Type

CU

I/O CONNECTOR