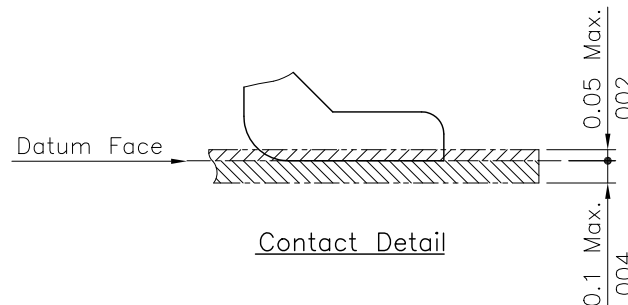


A = 0.50 * No. of Spaces
 B = A + 6.0
 C = A + 1.1

△* Available in 4 through 55 circuits



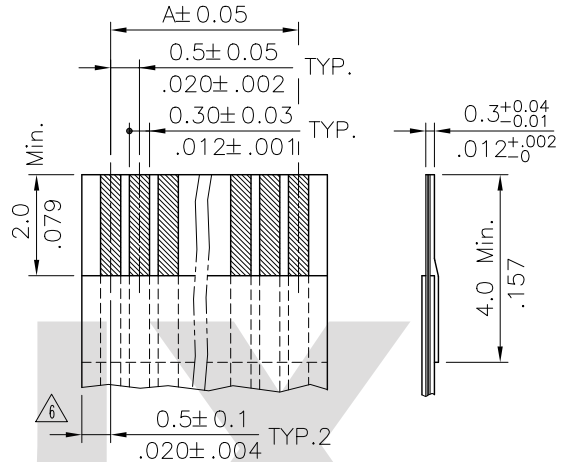
Material :

- * Body : High temperature plastic UL 94V-0 Color Nature(Ivory)
- * Slider : High temperature plastic UL 94V-0 Color Black
- * Contact : Copper alloy with Matte Tin plated
- * Fixed tab : Copper alloy with Matte Tin plated

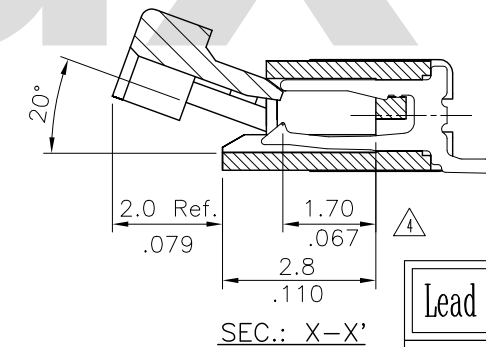
Ordering Code

CF20 ** 1 D 0 ** -LF
 ① ② ③ ④ ⑤ ⑥ ⑦

- ① Series No.
- ② No. of Circuits
- ③ Plating code:
1 = 3.05µm(120µ") Min. Matte Tin
over 0.76µm(30µ") Nickel
- ④ Contact style: D= Downside contact
- ⑤ Color: 0= Nature
- ⑥ Other option: R0= Tape & Reel
T0= Tube Packing
- ⑦ Other option:
-LF= For Lead Free IR Processes




Accommodated FFC/FPC



Lead Free Process

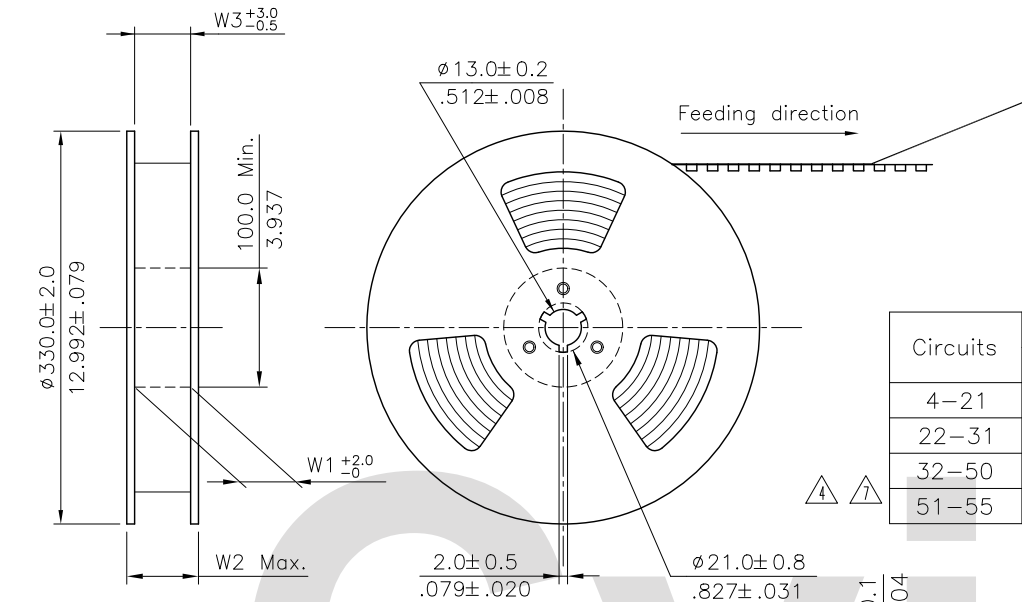
RoHS Compliant

△7	Karen	7/14-12'	ECR11040-1/ECN11179/ECN11192/ECN12157-0	DATE	UNIT: mm / inch	TITLE: 0.50mm(.031") ZIF FFC/FPC DOWNSIDE CONTACT SURFACE MOUNT CONNECTOR		 瀚荃股份有限公司 CviLux Corporation	
△6	Karen	10/7-09'	ECN09219	DRAWN BY: Karen	7/14-12'	TOLERANCE UNLESS OTHERWISE SPECIFIED			
△5	Karen	8/12-09'	ECN09413/ECR09116-0	ENGINEER: Easley	7/16-12'	.X ± 0.15/.006	X' ± 1'	MATERIAL:	
△4	Sandy	11/26-08'	ECN08577	CHECKED BY: Easley	7/16-12'	.XX ± 0.10/.004	.X' ±		FINISH:
SYM	NAME	DATE	REVISIONS	APPROVED BY: David	7/16-12'	.XXX ± 0.05/.002	.XX' ±	DRAWING NO. CF2034SH	PART NO. CF20**1D0**-LF
SCALE 7 / 1 SHEET 1 OF 2									

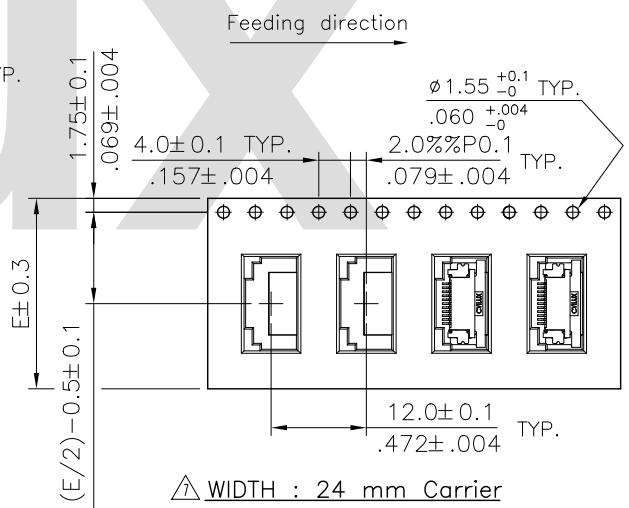
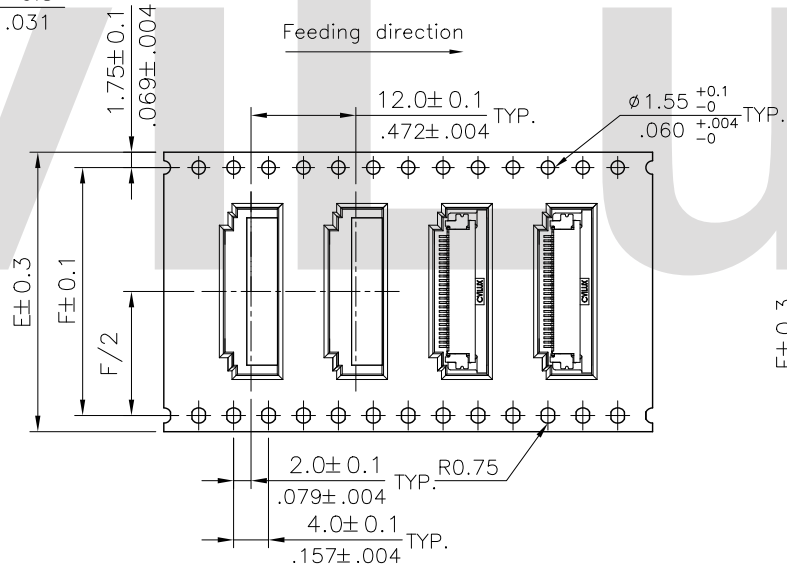
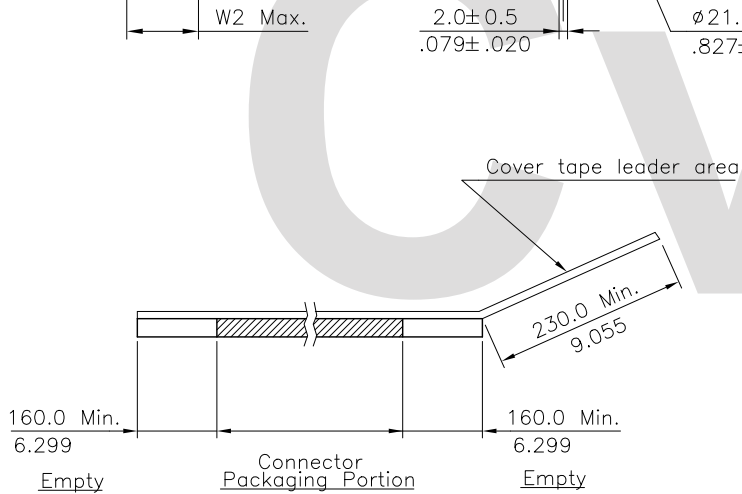

 2012.07.30
 ISSUED

NOTE :

- △ * Reel Material : Corrugated Paper
- * Carrier Material : Clear, Conductive Polystyrene Alloy
- * Cover Tape Material : Polyester
- * Cover Tape Peel Strength : 0.1N - 1.3N
- * Carrier camber is within 1mm in 100mm
- * All dimensions meet EIA-481-2 & EIA-481-3 requirements.
- * Quantity : 2000 PCS/Reel




Circuits	Dimension					Packing (Reel/Caton)
	E	F	W1	W2	W3	
4-21	24.0(.945)	-	24.5(.965)	30.5(1.200)	24.5(.965)	9
22-31	32.0(1.260)	28.40(1.118)	32.5(1.280)	38.5(1.516)	32.5(1.280)	7
32-50	44.0(1.732)	40.40(1.596)	44.5(1.752)	50.5(1.988)	44.5(1.752)	5
51-55	56.0(2.205)	52.40(2.063)	56.5(2.224)	62.5(2.461)	56.5(2.224)	4



△ WIDTH : 32,44,56 mm Carrier

△ WIDTH : 24 mm Carrier

RoHS Compliant

7	Karen	7/14-12'	ECR11040-1/ECN11179/ECN11192/ECN12157-0	DATE	UNIT: mm / inch	TITLE: 0.50mm(.031") ZIF FFC/FPC DOWNSIDE CONTACT SURFACE MOUNT CONNECTOR	 瀚荃股份有限公司 CviLux Corporation
6	Karen	10/7-09'	ECN09219	DRAWN BY: Karen	7/14-12'	TOLERANCE UNLESS OTHERWISE SPECIFIED	
5	Karen	8/12-09'	ECN09413/ECR09116-0	ENGINEER: Easley	7/16-12'	.X ± X' ± ' "	
4	Sandy	11/26-08'	ECN08577	CHECKED BY: Easley	7/16-12'	.XX ± .X' ± ' "	
SYM	NAME	DATE	REVISIONS	APPROVED BY: David	7/16-12'	.XXX ± .XX' ± ' "	


2012.07.30
ISSUED

DRAWING NO.	CF2034SH	PART NO.	CF20**1DO**--LF
SCALE		SHEET	2 OF 2