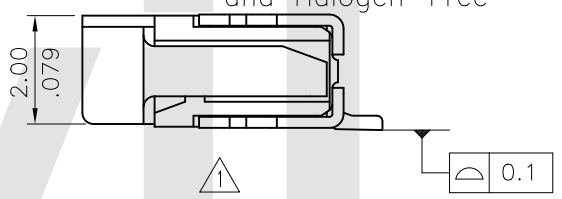
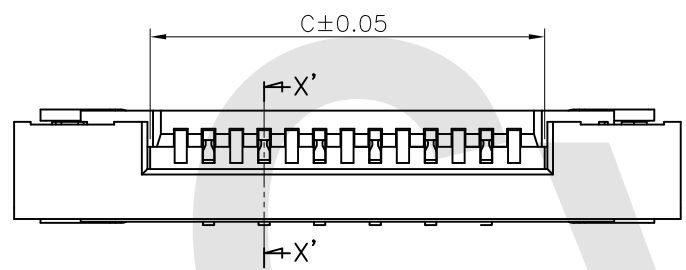


Ordering Code
 CF20 ** 1 U 0 *0 -10 -NH
 ① ② ③ ④ ⑤ ⑥ ⑦ ⑧

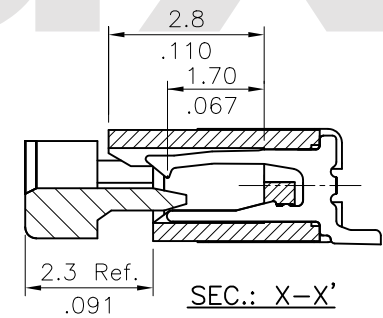
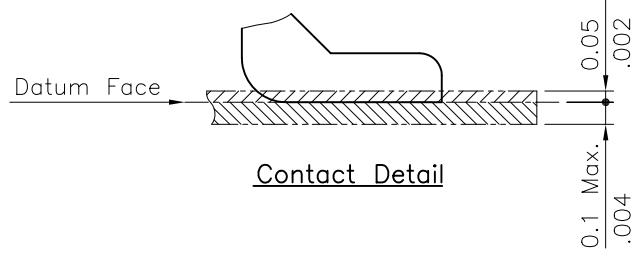
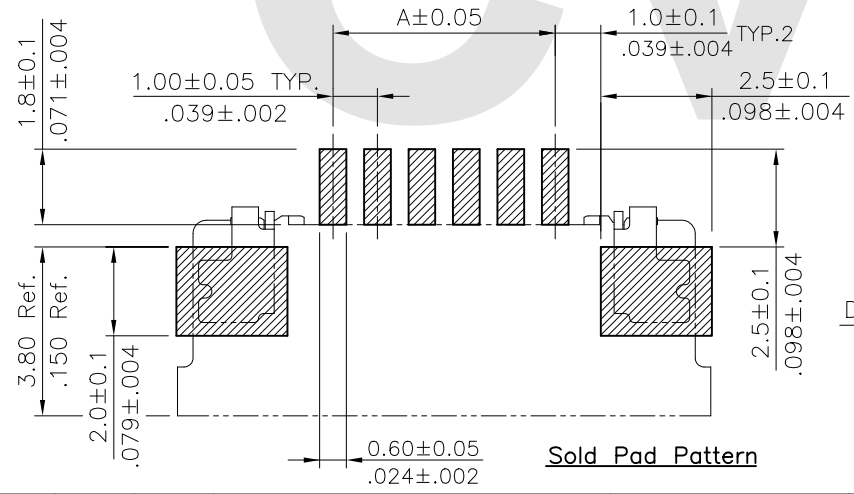
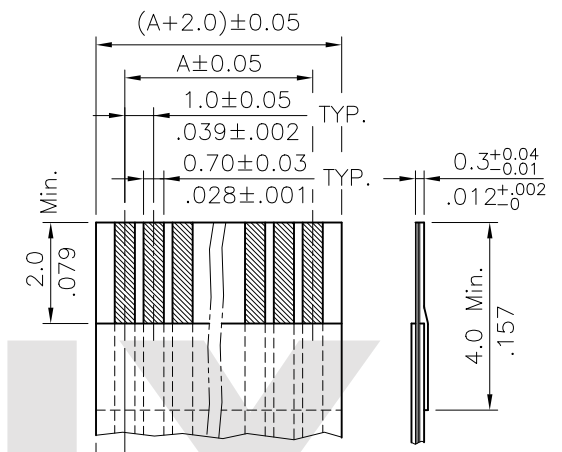
- ① Series No.
- ② No. of Circuits
- ③ Plating code:
1 = 3.05μm(120μ") Min. Matte Tin over 0.76μm(30μ") Nickel
- ④ Contact style: U = Upside contact
- ⑤ Color: 0 = Nature
- ⑥ Other option: R0 = Tape & Reel
T0 = Tube Packing
- ⑦ Pitch: 10 = 1.00 mm
- ⑧ -NH = For Lead Free IR Processes and Halogen-Free

Material :
 * Body : High temperature plastic UL 94V-0
Color Nature
 * Slider : High temperature plastic UL 94V-0
Color Black
 * Contact : Copper alloy with Matte Tin plated
 * Fixed tab : Copper alloy with Matte Tin plated



A = 1.00 * No. of Spaces
 B = A + 7.0
 C = A + 2.1

* Available in 2 through 27 circuits



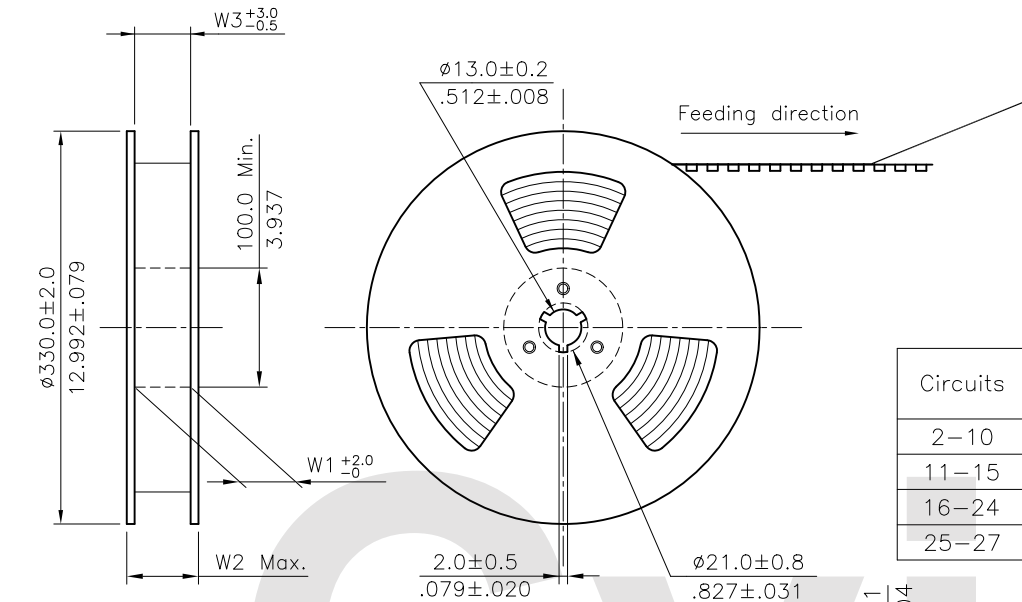
Halogen-Free
 Lead Free Process
 RoHS compliant

④					DATE	UNIT: mm / inch	TITLE: 1.00mm(.039") ZIF FFC/FPC UPSIDE CONTACT SURFACE MOUNT CONNECTOR	瀚荃股份有限公司 CviLux Corporation
③				DRAWN BY: Sandy	9/08-15'	TOLERANCE UNLESS OTHERWISE SPECIFIED	MATERIAL:	
②				ENGINEER: Sun	9/10-15'	.X ± 0.15/.006 X' ± 1'	FINISH:	
①	Sandy	9/8-15'	ECNT115207	CHECKED BY: Eisley	9/14-15'	.XX ± 0.10/.004 X' ±		
SYM	NAME	DATE	REVISIONS	APPROVED BY: Eisley	9/14-15'	.XXX ± 0.05/.002 X' ±		DRAWING NO. CF20101SB PART NO. CF20**1UOR0-10-NH
								SCALE 7 / 1 SHEET 1 OF 2

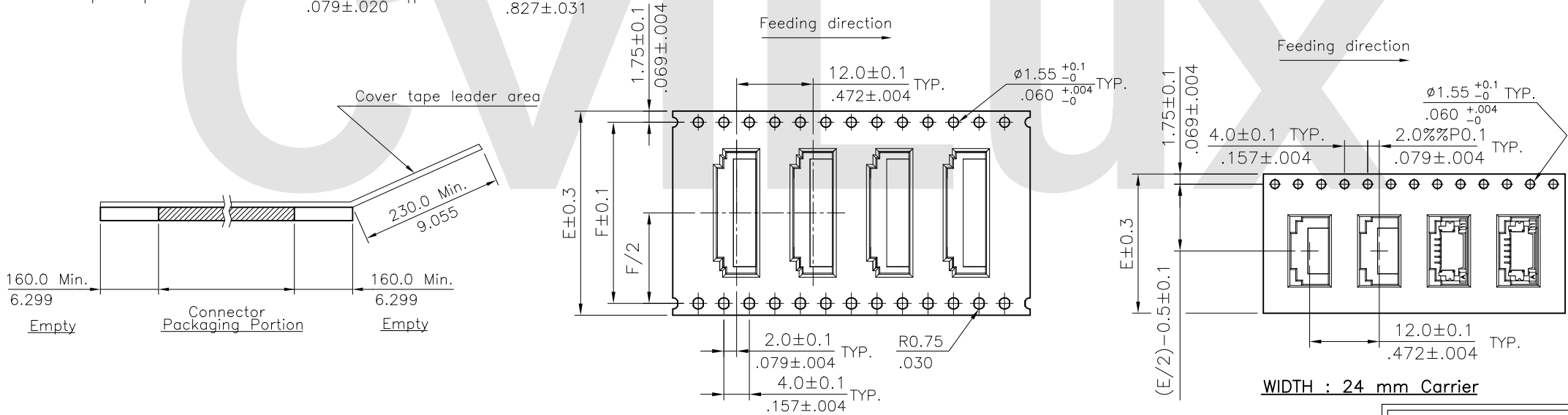
CIVILUX CORP
 2015.09.17
 ISSUED

NOTE :

- * Reel Material : Corrugated Paper
- * Carrier Material : Clear, Conductive Polystyrene Alloy
- * Cover Tape Material : Polyester
- * Cover Tape Peel Strength : 0.1N – 1.3N
- * Carrier camber is within 1mm in 100mm
- * All dimensions meet EIA-481-2 & EIA-481-3 requirements.
- * Quantity : 2000 PCS/Reel



Circuits	Dimension					Packing (Reel/Caton)
	E	F	W1	W2	W3	
2-10	24.0(.945)	-	24.5(.965)	30.5(1.200)	24.5(.965)	9
11-15	32.0(1.260)	28.40(1.118)	32.5(1.280)	38.5(1.516)	32.5(1.280)	7
16-24	44.0(1.732)	40.40(1.596)	44.5(1.752)	50.5(1.988)	44.5(1.752)	5
25-27	56.0(2.205)	52.40(2.063)	56.5(2.224)	62.5(2.461)	56.5(2.224)	4



WIDTH : 32,44,56 mm Carrier

RoHS Compliant

SYM	NAME	DATE	REVISIONS	APPROVED BY:	DATE	UNIT: mm / inch	TITLE: 1.0mm(.039") ZIF FFC/FPC UPSIDE CONTACT SURFACE MOUNT CONNECTOR	DRAWING NO.	PART NO.	SHEET	OF	2
4					DATE	UNIT: mm / inch	TITLE: 1.0mm(.039") ZIF FFC/FPC UPSIDE CONTACT SURFACE MOUNT CONNECTOR					
3				DRAWN BY: Sandy	9/08-15'	TOLERANCE UNLESS OTHERWISE SPECIFIED						
2				ENGINEER: Sun	9/10-15'	.X ±	X' ± 1'					
1	Sandy	9/8-15'	ECNT115207	CHECKED BY: Eisley	9/14-15'	.XX ±	.X ±					
				APPROVED BY: Eisley	9/14-15'	.XXX ±	.XX ±					



瀚荃股份有限公司
CviLux Corporation

DRAWING NO. CF20101SB PART NO. CF20**1UOR0-10-NH

SCALE SHEET 2 OF 2