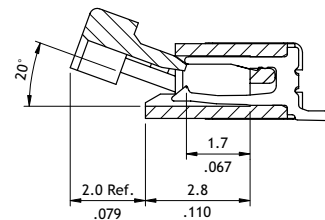
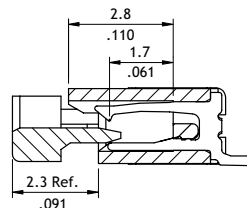
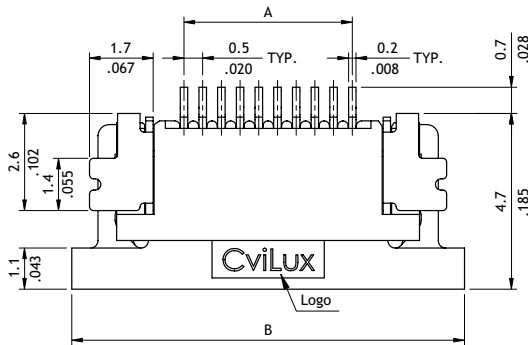
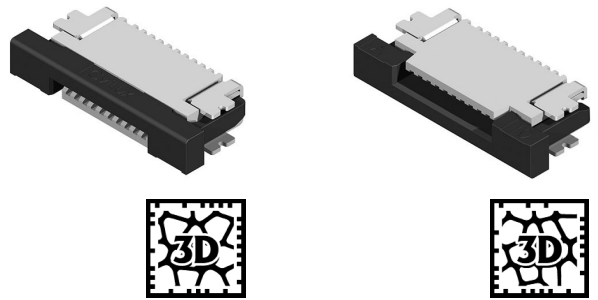


CF20 Series 0.50mm(.020") H=2.00 SMT ZIF FFC/FPC Connectors

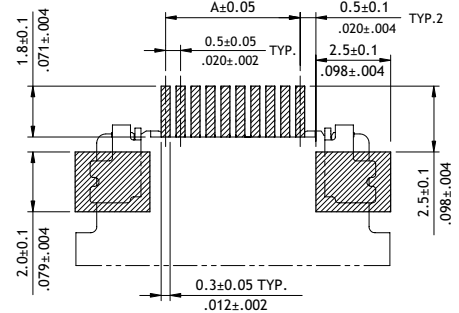
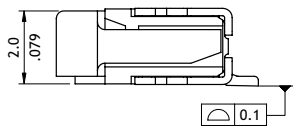
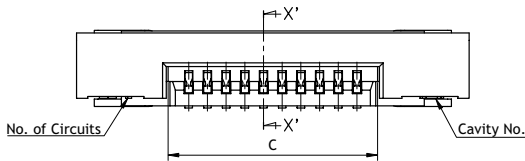
- ⊙ Insulator: High temperature plastic UL 94V-0, Color Nature
- ⊙ Slider: High temperature plastic UL 94V-0, Color Black
- ⊙ With metal fixed tabs to secure connector in place



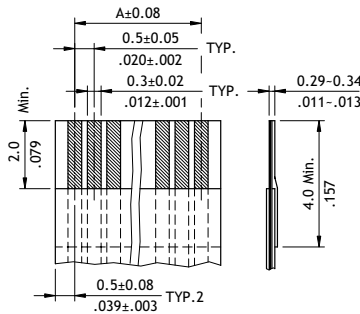
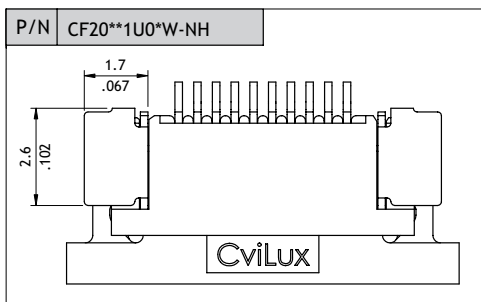
SEC.: X-X' (Upside)

SEC.: X-X' (Downside)

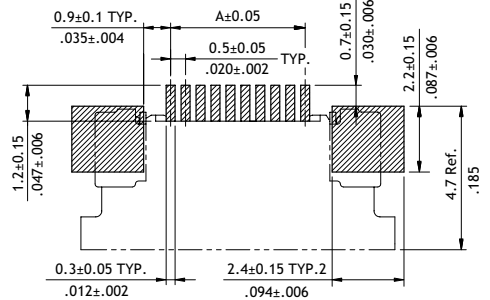
A = 0.5 * No. of Spaces
 B = A + 6.0
 C = A + 1.1



Solder Pad Pattern



Accommodated FFC/FPC



Sold Pad Pattern

Ordering Code

① CF **②** 20 **③** 55 **④** 1 **⑤** D **⑥** 0 **⑦** R **⑧** 0 - NH

- ①** Series No.
- ②** No. of Circuits: 04 to 55
- ③** Plating Code:
1 = Matte Tin over Nickel
- ④** Contact Style:
U = Upside Contact
D = Downside Contact
- ⑤** Color: 0 = Nature
- ⑥** Packing:
R = Tape & Reel
T = Tube
- ⑦** Other Options:
0 = Standard
W = Wide tabs
* Special options consult manufacturer
- ⑧** -LF = For Lead Free soldering process
-NH = For Lead Free soldering process and Halogen-Free