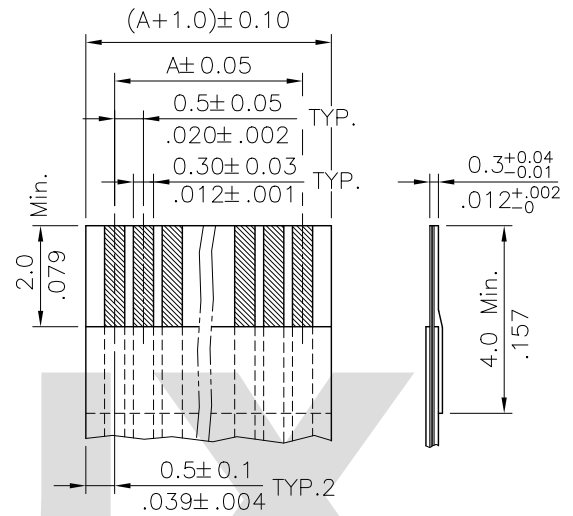
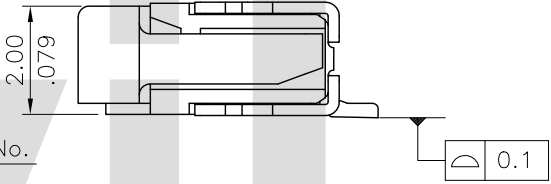
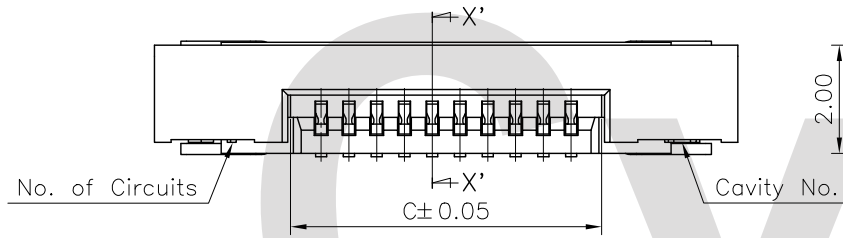


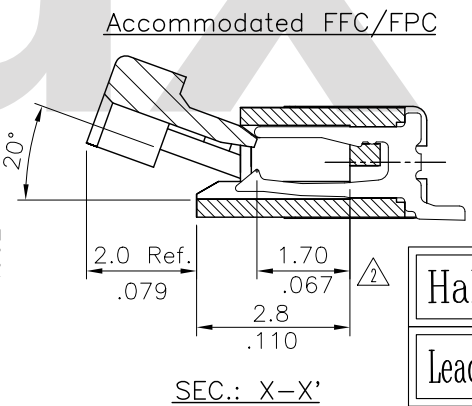
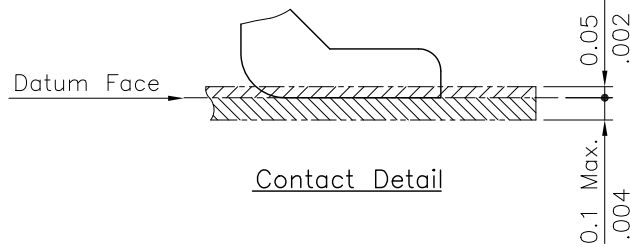
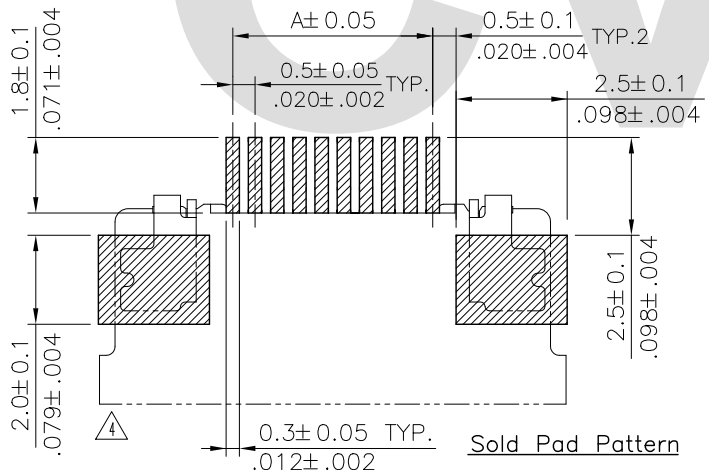
**Ordering Code**  
 CF20 \*\* 1 D 0 \*0 -NH  
 ① ② ③ ④ ⑤ ⑥ ⑦

- Material :
- \* Body : High temperature plastic UL 94V-0  
Color Nature
  - \* Slider : High temperature plastic UL 94V-0  
Color Black
  - \* Contact : Copper alloy with Matte Tin plated
  - \* Fixed tab : Copper alloy with Matte Tin plated


- ① Series No.
- ② No. of Circuits
- ③ Plating code:  
1 = 3.05μm(120μ") Min. Matte Tin  
over 0.76μm(30μ") Nickel
- ④ Contact style: D= Downside contact
- ⑤ Color: 0= Nature
- ⑥ Other option: R0= Tape & Reel  
T0= Tube Packing
- ⑦ Other option:  
NH= For Lead Free IR Processes  
and Halogen-Free



A = 0.50 \* No. of Spaces  
 B = A + 6.0  
 C = A + 1.1  
 \* Available in 4 through 55 circuits



Halogen-Free  
 Lead Free Process  
 RoHS Compliant

④	Karen	7/14-12'	ECR11040-1/ECN11179/ECN11192/ECN12157-0	DATE	UNIT: mm / inch	TITLE: 0.50mm(.031") ZIF FFC/FPC DOWNSIDE CONTACT SURFACE MOUNT CONNECTOR		 瀚荃股份有限公司 CviLux Corporation
③	Karen	8/25-09'	ECN09434/ECR09116-0	DRAWN BY: Karen	7/14-12'	TOLERANCE UNLESS OTHERWISE SPECIFIED		
②	Sandy	11/26-08'	ECN08577	ENGINEER: Easley	7/16-12'	MATERIAL:	DRAWING NO. CF2006SE PART NO. CF20**1D0*0-NH	
①	Karen	10/17-08'	ECN08363	CHECKED BY: Easley	7/16-12'	FINISH:		
SYM	NAME	DATE	REVISIONS	APPROVED BY: David	7/16-12'	SCALE 7 / 1 SHEET 1 OF 2		

CVILUX CORP  
 2012.07.30  
 ISSUED

