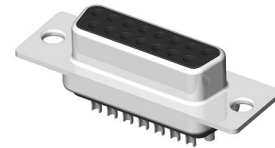
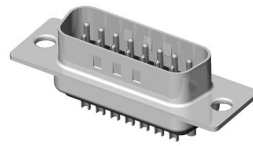


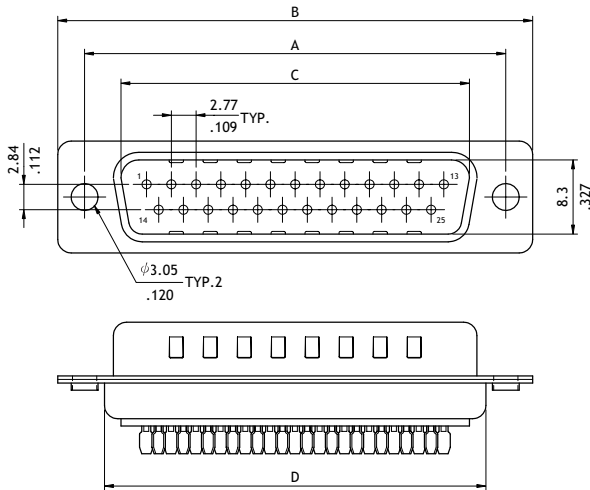
CD51 Series Solder D-Sub

- Mate with standard D-Sub
- With metal shell and solder contacts
- Riveted Hex nuts options available

RoHS Compliant

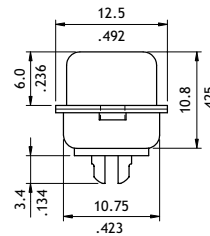


P/N CD51**PA1**

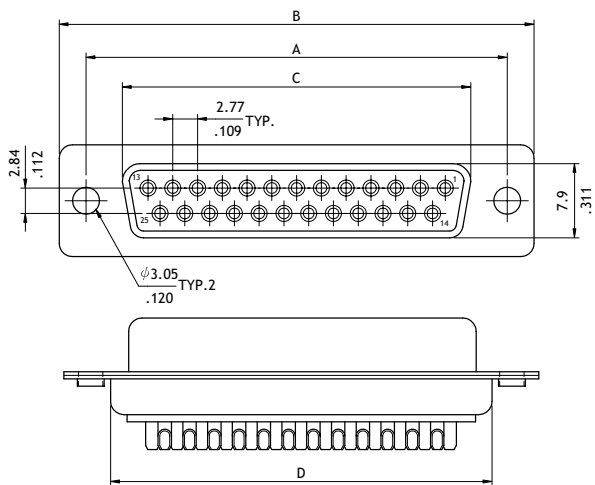


Plug Connector

Circuits	Dimension			
	A	B	C	D
9	25.0(.984)	30.8(1.213)	16.92(.666)	19.2(.756)
15	33.32(1.312)	39.2(1.543)	25.25(.994)	27.7(1.091)
25	47.04(1.852)	53.1(2.091)	38.96(1.534)	41.1(1.618)
37	63.5(2.500)	69.4(2.732)	55.42(2.182)	57.3(2.256)

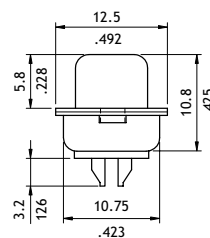


P/N CD51**SA1**



Receptacle Connector

Circuits	Dimension			
	A	B	C	D
9	25.0(.984)	30.8(1.213)	16.3(.642)	19.2(.756)
15	33.32(1.312)	39.2(1.543)	24.6(.969)	27.7(1.091)
25	47.04(1.852)	53.1(2.091)	38.3(1.508)	41.1(1.618)
37	63.5(2.500)	69.4(2.732)	54.8(2.157)	57.3(2.256)



Ordering Code

1 **2** **3** **4** **5** **6**
CD51 25 P A 1 00

- 1** Series No.
- 2** No. of Circuits: 09, 15, 25, 37
- 3** Connector Type: P = Plug
S = Receptacle
- 4** Plating Option: A = Selective Gold flash over Nickel
*Optional plating available but MOQ requested
- 5** Insulator Color: 1 = Black
*Optional insulator color consult manufacturer
- 6** Other Options:
00 = With $\phi 3.05$ mm holes on shell (Standard)
A0 = Riveted #4-40 UNC Close nuts on Front shell
B0 = Riveted #4-40 UNC Open nuts on Front shell
C0 = Riveted #4-40 UNC Open nuts on Rear shell
*Special options consult manufacturer