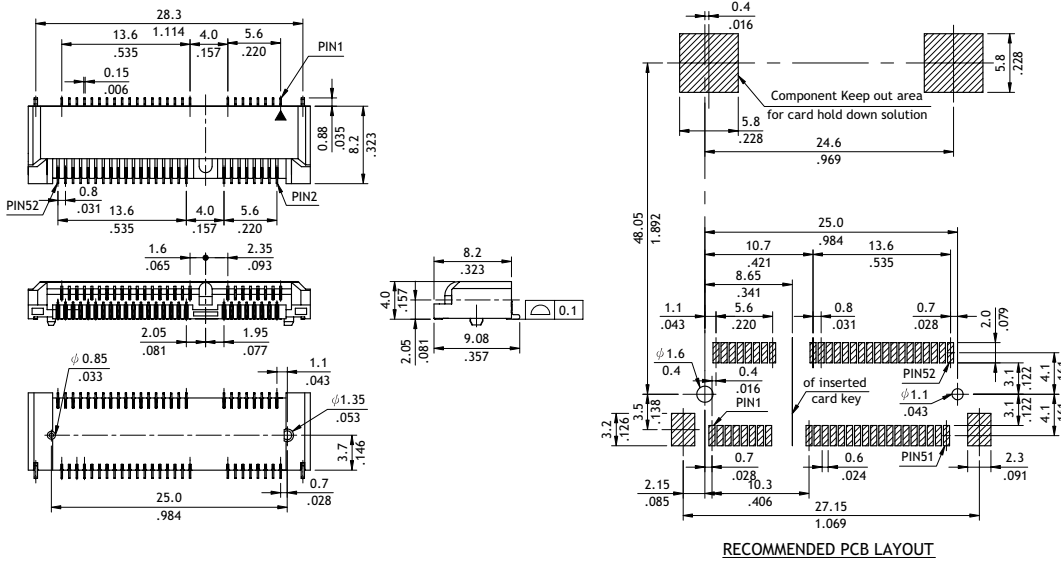
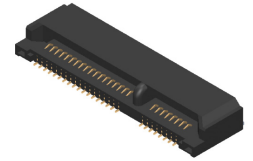


CS59 Series Mini PCI 4.0H 52pin Connectors



NEW



RECOMMENDED PCB LAYOUT

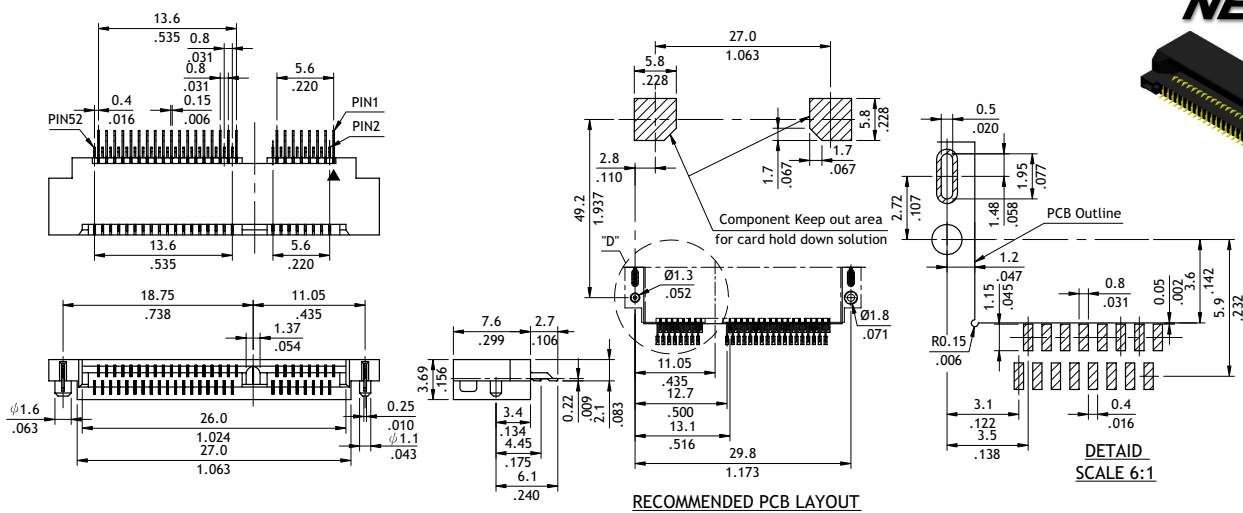
Ordering Code

1 **CS 5 9** **2** **5 2** **3** **M** **4** **A** **5** **1** **6** **R 0**

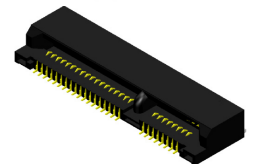
- 1** Series No.
- 2** No. of Circuits: 52
- 3** Tail Style: M = SMT Type
- 4** Plating Options:
A = Selective Gold flash plated over Nickel
- 5** Color: 1 = Black
- 6** Packing Options: R0 = Tape & Reel

CS

CS60 Series Mini PCI 2.1H 52pin Connectors



NEW



RECOMMENDED PCB LAYOUT

DETAILED SCALE 6:1

Ordering Code

1 **CS 6 0** **2** **5 2** **3** **A** **4** **1** **5** **M** **6** **0**

- 1** Series No.
- 2** No. of Circuits: 52
- 3** Plating Options:
A = Selective Gold flash plated over Nickel
- 4** Color: 1 = Black
- 5** Tail Style: M = SMT Type
- 6** Other Options:
0 = Standard

SOCKETS