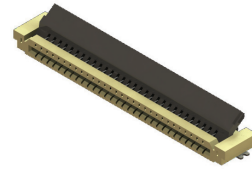
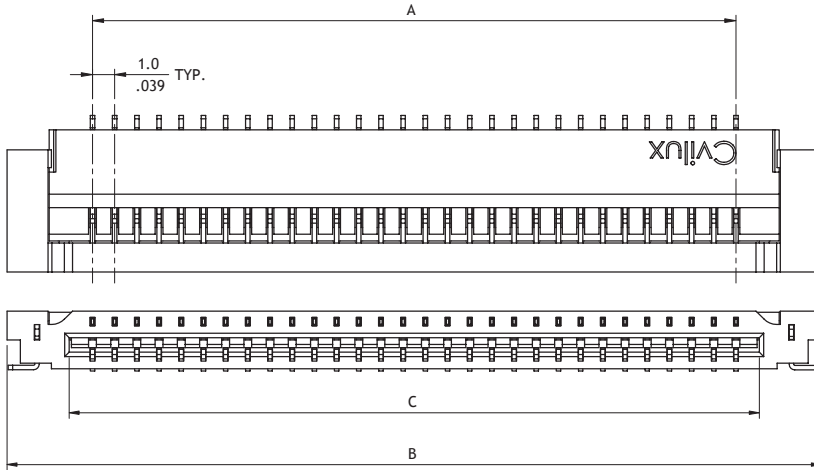


CF11 Series 1.00mm(.039")H=2.70 SMT ZIF FFC/FPC Connectors (Back Flip)

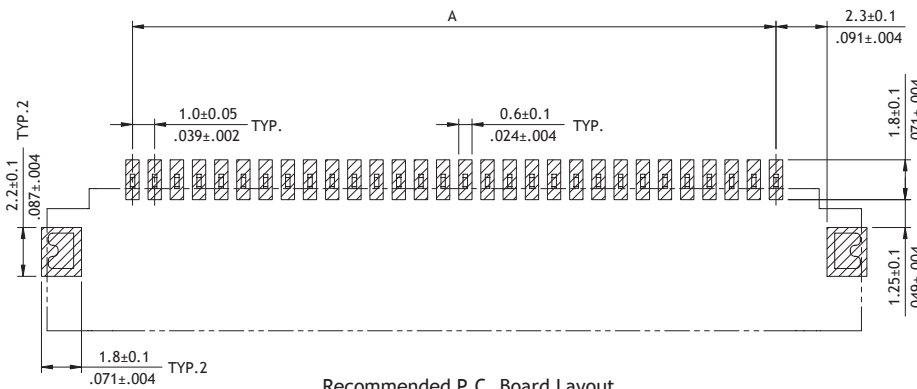
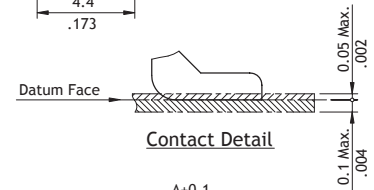
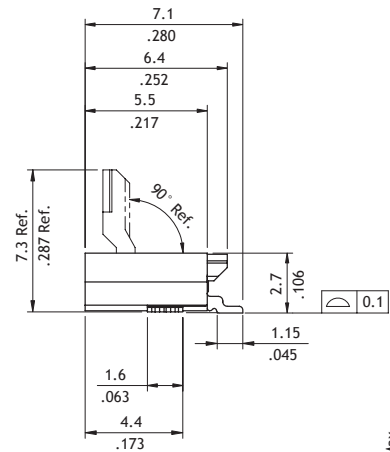
- ⊙ 2.7mm above the board
- ⊙ Copper alloy dual contacts
- ⊙ Insulator: High temperature plastic UL 94V-0, Color Nature
- ⊙ Cover: High temperature plastic UL 94V-0, Color Black
- ⊙ With metal fixed tabs to secure connector in place



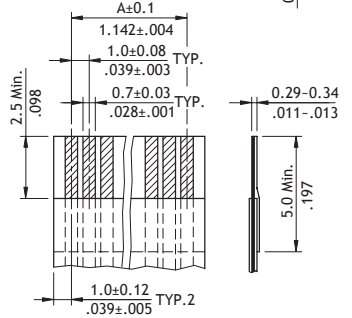
RoHS Compliant



A = 1.00 * No. of Spaces
 B = A + 7.7
 C = A + 2.1



Recommended P.C. Board Layout



Accommodated FFC/FPC

Ordering Code

① **CF11** **②** **302** **③** **D0** **④** **RA** - **⑧** **10** - **⑨** **NH**

- ①** Series No.
- ②** Circuits: 04 to 20
(Available: 8,30)
Circuits not found above please consult manufacturer
- ③** Plating Code:
2 = Gold flash over Nickel
- ④** Contact Style:
D = Downside Contact
- ⑤** Color: 0 = Nature
- ⑥** Packing: R = Tape & Reel
T = Tube
- ⑦** Other Options: A = Standard
- ⑧** Pitch: 10 = 1.00 mm
- ⑨** -NH = For Lead Free IR process and Halogen-Free