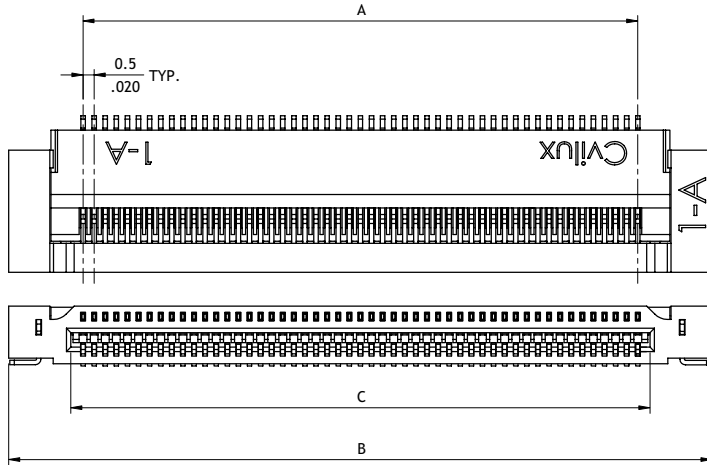
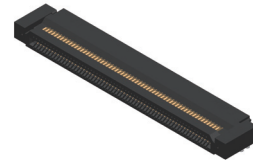
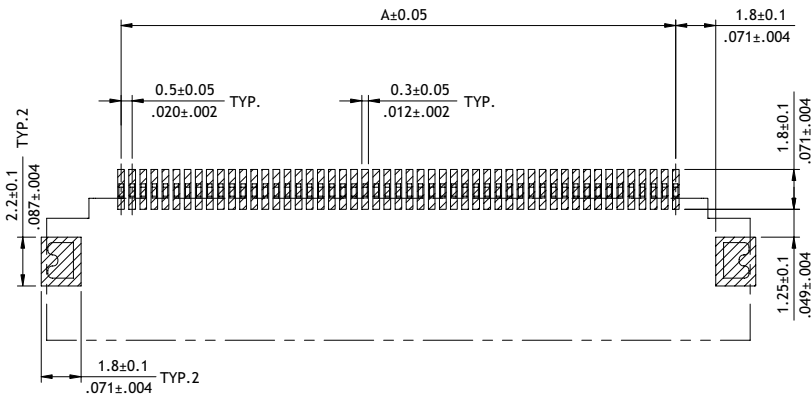
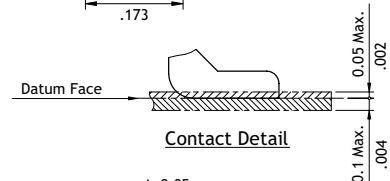
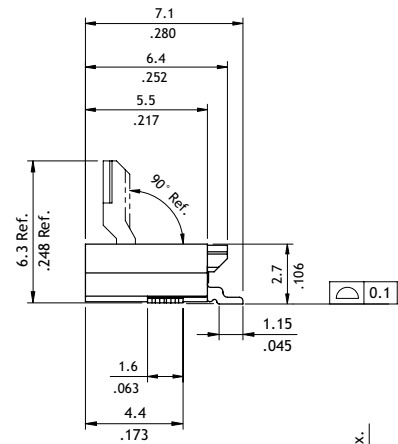


**CF11 Series 0.50mm(.039")H=2.70 SMT ZIF FFC/FPC Connectors (Back Flip)**

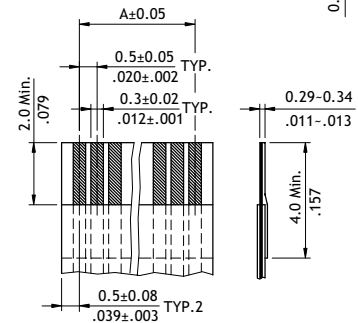
- ⊙ 2.7mm above the board
- ⊙ Copper alloy dual contacts
- ⊙ Insulator: High temperature plastic UL 94V-0, Color Black
- ⊙ Cover: High temperature plastic UL 94V-0, Color Black
- ⊙ With metal fixed tabs to secure connector in place



A = 0.50 \* No. of Spaces  
 B = A + 6.7  
 C = A + 1.1



Recommended P.C. Board Layout



Accommodated FFC/FPC

**Ordering Code**

**①** **CF** **②** **11** **③** **51** **④** **2** **⑤** **D** **⑥** **1** **⑦** **R** **A** - **⑧** **05** - **⑨** **NH**

- ①** Series No.
- ②** No. of Circuits: 04 to 60  
(Available: 4,20,26,41,45, 50,51,61)  
\*Circuits not found above please consult manufacturer\*
- ③** Plating Code:  
2 = Gold flash over Nickel
- ④** Contact Style:  
D = Downside Contact
- ⑤** Color: 1 = Black
- ⑥** Packing: R = Tape & Reel  
T = Tube
- ⑦** Other Options: A = Standard
- ⑧** Pitch: 05 = 0.50 mm
- ⑨** -NH = For Lead Free IR process and Halogen-Free