

Material:

* Insulation: Nylon 6T UL 94V-0

* Contact: Phosphor Bronze

* PAD: Nylon 6T UL 94V-0, Color Nature

Ordering Code

CF16 ** 1 M 0 * 0 -LF
 ① ② ③ ④ ⑤ ⑥ ⑦ ⑧

① Series No.

② No. of Circuits

③ Plating code:

1= Matte Tin plated over Nickel

④ Contact type : M= SMT Type

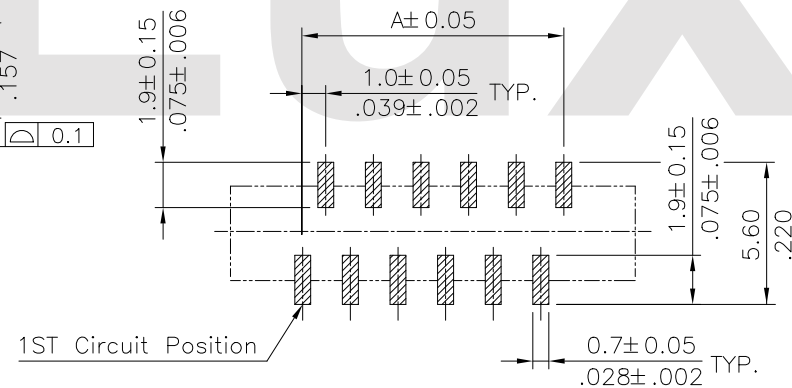
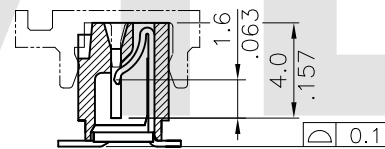
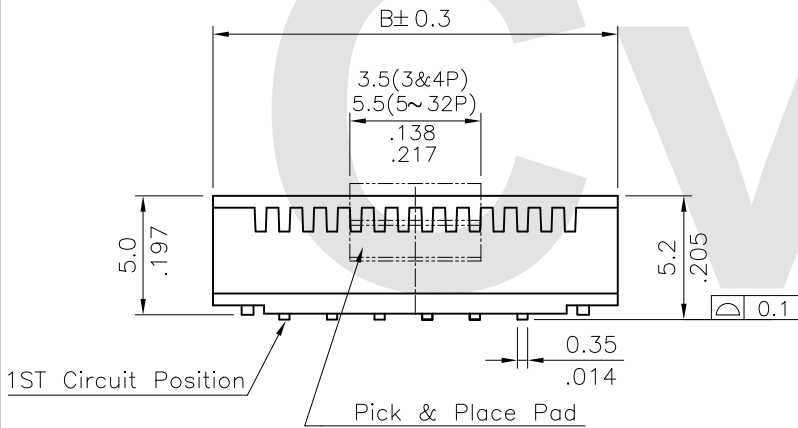
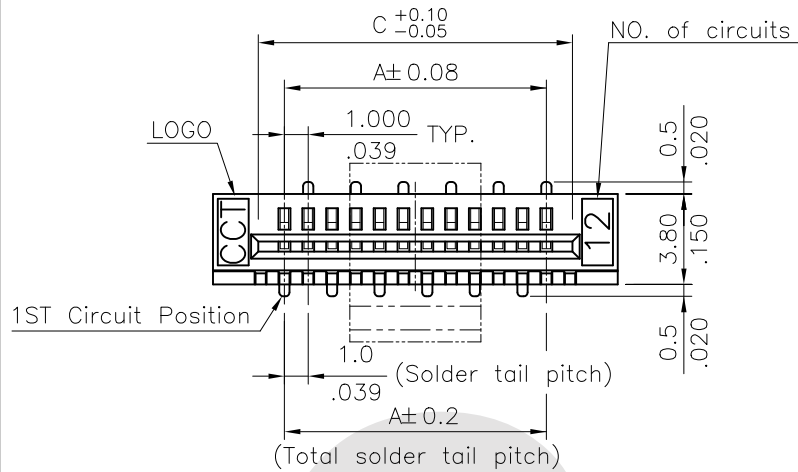
⑤ Insulation Color: 0= Nature

⑥ Packing : T= Tube Packaged

R= Tape & Reel Packaged

⑦ Other option: 0= Standard

⑧ -LF= For Lead Free IR Processes




Sold Pad Pattern

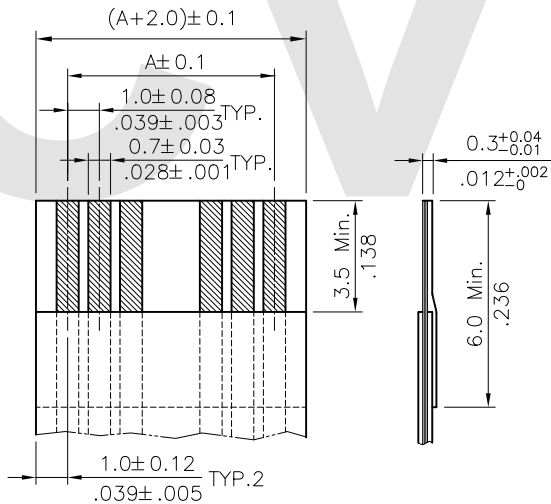
Lead Free Process

RoHS Compliant

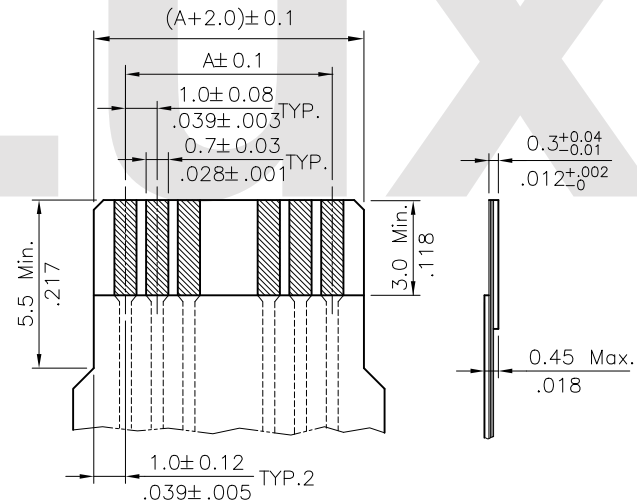
CVILUX CORP
 2016.09.01
 ISSUED

| | | | | | | | | |
|-----|------|----------|-----------------------|---------------------|--------------------------------------|---|--|--------------|
| ⑧ | Sun | 8/17-16' | ECRB116043/ECNT116164 | DATE | UNIT: mm / inch | TITLE: 1.00mm(.040") SMT TYPE LIF FFC/FPC CONNECTOR |  瀚荃股份有限公司 CviLux Corporation | |
| ⑦ | Enya | 12/6-13' | ECNT113144 | DRAWN BY: Sun | TOLERANCE UNLESS OTHERWISE SPECIFIED | MATERIAL: | | |
| ⑥ | Sun | 6/13-11' | ECR10022-1/ECN11127 | ENGINEER: Sun | .X ± 0.15/.006 X' ± 1' | FINISH: | | |
| ⑤ | Sun | 3/19-09' | ECR09030-1/ECN09129 | CHECKED BY: Eisley | .XX ± 0.10/.004 X' ± | DRAWING NO. CF1645SI | | |
| SYM | NAME | DATE | REVISIONS | APPROVED BY: Eisley | .XXX ± 0.05/.002 XX' ± | PART NO. CF16**1M0*0-LF | | |
| | | | | | | | SCALE 3 / 1 | SHEET 1 OF 3 |

| Circuits | Dimension | | | Circuits | Dimension | | |
|----------|-------------|------------|-------------|----------|--------------|-------------|--------------|
| | A | B | C | | A | B | C |
| 3 | 2.00(.079) | 8.00(.315) | 4.10(.161) | 18 | 17.00(.670) | 23.0(.905) | 19.10(.752) |
| 4 | 3.00(.118) | 9.00(.354) | 5.10(.201) | 19 | 18.00(.709) | 24.0(.945) | 20.10(.791) |
| 5 | 4.00(.157) | 10.0(.393) | 6.10(.240) | 20 | 19.00(.748) | 25.0(.984) | 21.10(.831) |
| 6 | 5.00(.197) | 11.0(.433) | 7.10(.280) | 21 | 20.00(.787) | 26.0(1.024) | 22.10(.870) |
| 7 | 6.00(.236) | 12.0(.472) | 8.10(.319) | 22 | 21.00(.827) | 27.0(1.063) | 23.10(.909) |
| 8 | 7.00(.275) | 13.0(.512) | 9.10(.358) | 23 | 22.00(.866) | 28.0(1.102) | 24.10(.949) |
| 9 | 8.00(.315) | 14.0(.551) | 10.10(.398) | 24 | 23.00(.905) | 29.0(1.142) | 25.10(.988) |
| 10 | 9.00(.354) | 15.0(.590) | 11.10(.437) | 25 | 24.00(.945) | 30.0(1.181) | 26.10(1.028) |
| 11 | 10.00(.393) | 16.0(.630) | 12.10(.476) | 26 | 25.00(.984) | 31.0(1.220) | 27.10(1.067) |
| 12 | 11.00(.433) | 17.0(.670) | 13.10(.516) | 27 | 26.00(1.024) | 32.0(1.260) | 28.10(1.106) |
| 13 | 12.00(.472) | 18.0(.709) | 14.10(.555) | 28 | 27.00(1.063) | 33.0(1.300) | 29.10(1.146) |
| 14 | 13.00(.512) | 19.0(.748) | 15.10(.594) | 29 | 28.00(1.102) | 34.0(1.339) | 30.10(1.185) |
| 15 | 14.00(.551) | 20.0(.787) | 16.10(.634) | 30 | 29.00(1.142) | 35.0(1.378) | 31.10(1.224) |
| 16 | 15.00(.590) | 21.0(.827) | 17.10(.673) | 31 | 30.00(1.181) | 36.0(1.417) | 32.10(1.263) |
| 17 | 16.00(.630) | 22.0(.866) | 18.10(.713) | 32 | 31.00(1.220) | 37.0(1.457) | 33.10(1.303) |





* ACCOMMODATED FFC

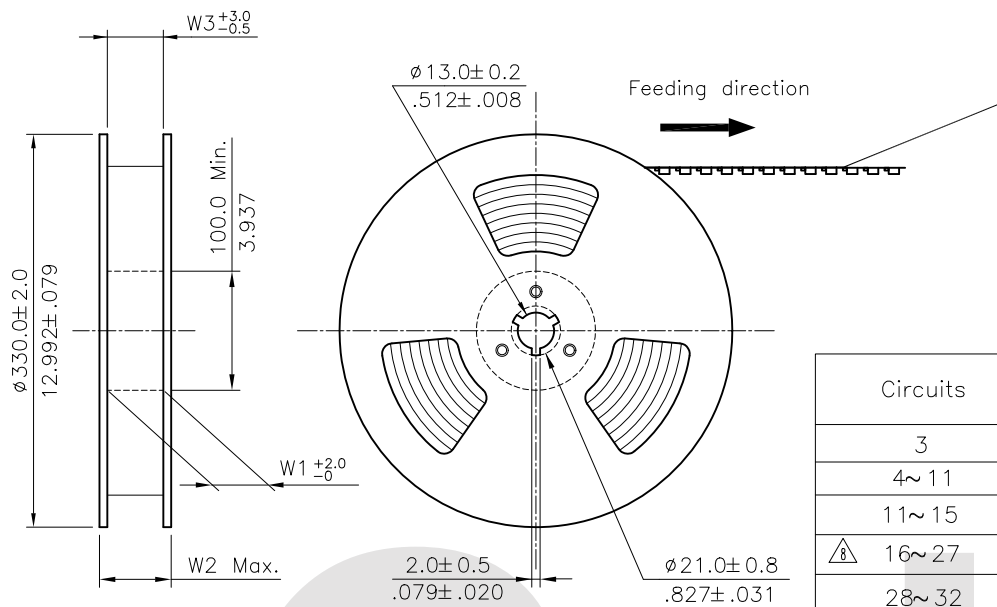


* ACCOMMODATED FPC

Lead Free Process

RoHS Compliant

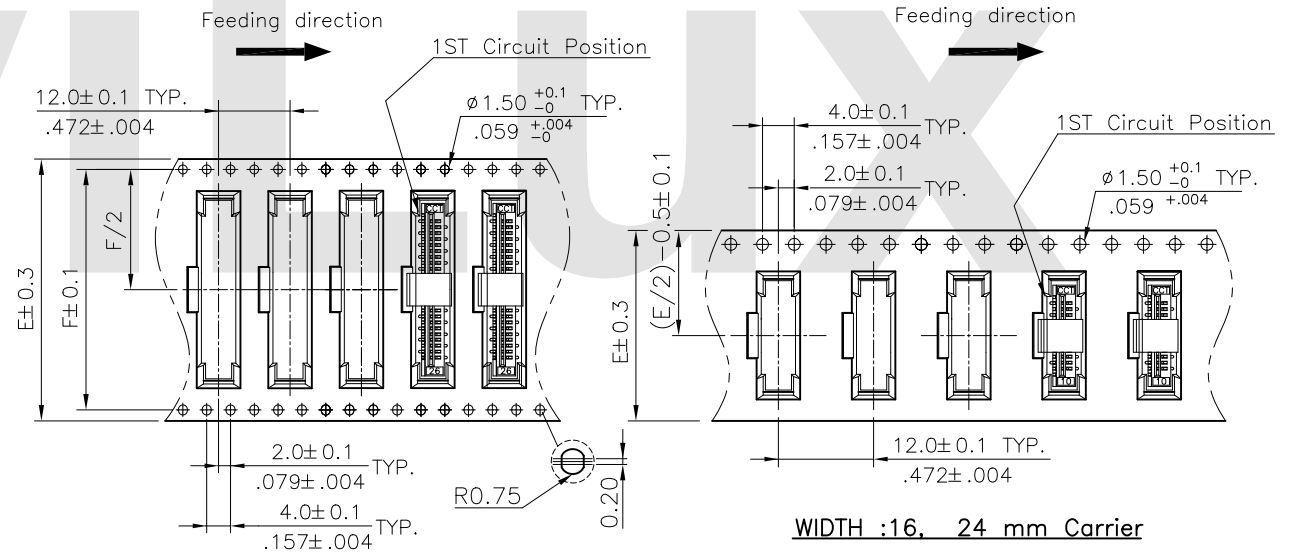
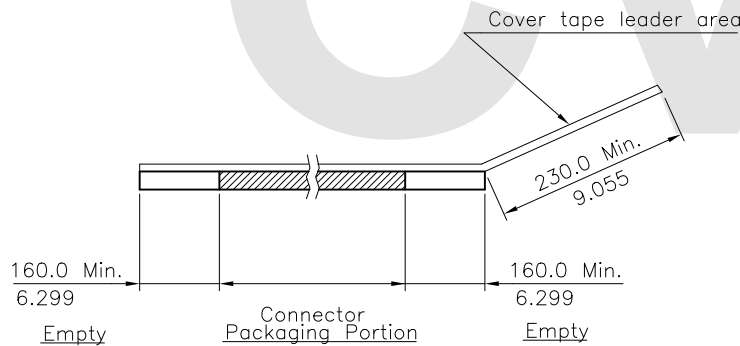
| | | | | | | | | | |
|-----|------|----------|-----------------------|---|---------------------|-----------------|---|---|-----------|
| 8 | Sun | 8/17-16' | ECRB116043/ECNT116164 |  2016.09.01 ISSUED | DATE | UNIT: mm / inch | TITLE: 1.00mm(.040") SMT TYPE LIF FFC/FPC CONNECTOR |  瀚荃股份有限公司 CviLux Corporation | |
| 7 | Enya | 12/6-13' | ECNT113144 | | DRAWN BY: Sun | 8/23-16' | TOLERANCE UNLESS OTHERWISE SPECIFIED | | MATERIAL: |
| 6 | Sun | 6/13-11' | ECR10022-1/ECN11127 | | ENGINEER: Sun | 8/23-16' | .X ± 0.15/.006 X' ± 1' | | FINISH: |
| 5 | Sun | 3/19-09' | ECR09030-1/ECN09129 | | CHECKED BY: Eisley | 8/25-16' | .XX ± 0.10/.004 X ± | DRAWING NO. CF1645SI PART NO. CF16**1M0*0-LF | |
| SYM | NAME | DATE | REVISIONS | | APPROVED BY: Eisley | 8/25-16' | .XXX ± 0.05/.002 .XX ± | SCALE 3 / 1 SHEET 2 OF 3 | |



NOTE :

- ⚠ * Reel Material : Corrugated Paper
- * Carrier Material : Clear, Conductive Polystyrene Alloy
- * Cover Tape Material : Polyester
- * Cover Tape Peel Strength : 0.1N – 1.3N
- * Carrier camber is within 1mm in 250mm
- * All dimensions meet EIA-481-B requirements.
- ⚠ * Quantity : 800 PCS/Reel

| Circuits | Dimension | | | | | Packing (Reel/Caton) |
|----------|-------------|--------------|-------------|-------------|-------------|----------------------|
| | E | F | W1 | W2 | W3 | |
| 3 | 16.0(.630) | --- | 16.5(.650) | 22.5(.886) | 16.5(.650) | 11 |
| 4~11 | 24.0(.945) | --- | 24.5(.965) | 30.5(1.201) | 24.5(.965) | 9 |
| 11~15 | 32.0(1.260) | 28.40(1.118) | 32.5(1.280) | 38.5(1.516) | 32.5(1.280) | 7 |
| ⚠ 16~27 | 44.0(1.732) | 40.40(1.591) | 44.5(1.752) | 50.5(1.988) | 44.5(1.752) | 5 |
| 28~32 | 56.0(2.205) | 52.40(2.063) | 56.5(2.224) | 62.5(2.461) | 56.5(2.224) | 3 |



WIDTH : 32, 44 & 56 mm Carrier

WIDTH : 16, 24 mm Carrier

RoHS Compliant

| SYM | NAME | DATE | REVISIONS | APPROVED BY: | DATE | UNIT: mm / inch | TITLE: 1.00mm(.040") SMT TYPE LIF FFC/FPC CONNECTOR | MATERIAL: | FINISH: | DRAWING NO. | PART NO. | SHEET | OF | |
|-----|------|----------|-----------------------|--|---------------------|-----------------|---|-----------|---------|-------------|----------|----------------|----|---|
| 8 | Sun | 8/17-16' | ECRB116043/ECNT116164 | <div style="border: 2px solid red; border-radius: 50%; padding: 5px; display: inline-block;"> CIVILUX CORP 2016.09.01 ISSUED </div> | DATE | UNIT: mm / inch | TITLE: 1.00mm(.040") SMT TYPE LIF FFC/FPC CONNECTOR | MATERIAL: | FINISH: | DRAWING NO. | PART NO. | SHEET | OF | |
| 7 | Enya | 12/6-13' | ECNT113144 | | DRAWN BY: Sun | 8/23-16' | TOLERANCE UNLESS OTHERWISE SPECIFIED | | | | CF1645SI | CF16**1M0*0-LF | 3 | 3 |
| 6 | Sun | 6/13-11' | ECR10022-1/ECN11127 | | ENGINEER: Sun | 8/23-16' | .X ± | X' ± " | | | | | | |
| 5 | Sun | 3/19-09' | ECR09030-1/ECN09129 | | CHECKED BY: Eisley | 8/25-16' | .XX ± | .X ± | | | | | | |
| | | | | | APPROVED BY: Eisley | 8/25-16' | .XXX ± | .XX ± | | | SCALE | | | |

瀚荃股份有限公司
CviLux Corporation