

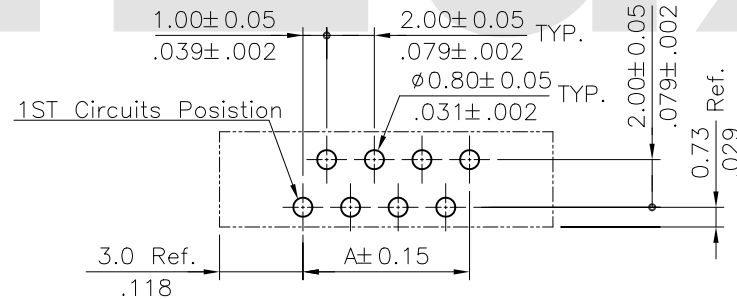
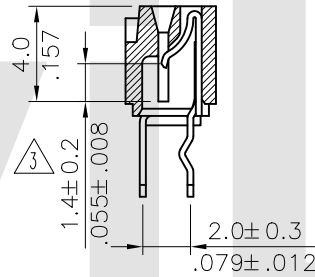
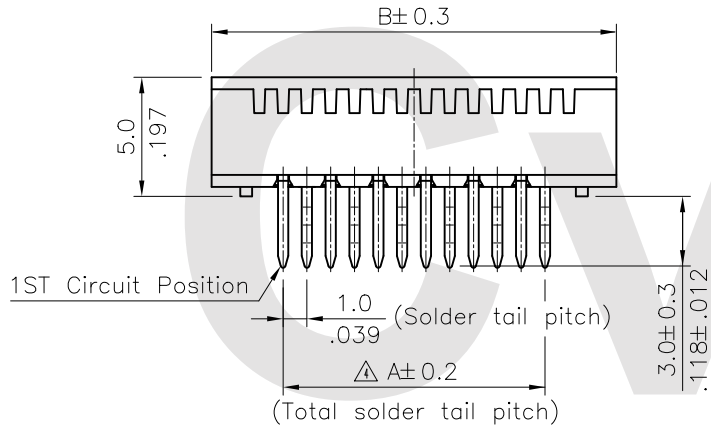
Material:

- * Insulation: Nylon 6T UL 94V-0
Color Nature
- * Contact: Phosphor Bronze

Ordering Code

CF16 ** 1 V 0 T 0 -LF
① ② ③ ④ ⑤ ⑥ ⑦ ⑧


- ① Series No.
- ② No. of Circuits
- ③ Plating code:
1=Matte Tin plated over Nickel
- ④ Contact type : V= Straight DIP type
- ⑤ Insulation Color: 0= Nature
- ⑥ Packing : T= Tube Packaged
R= Tape & Reel Packing
- ⑦ Other option: 0= Standard
- ⑧ -LF= For Lead Free IR Processes



Recommended P.C. Board Layout

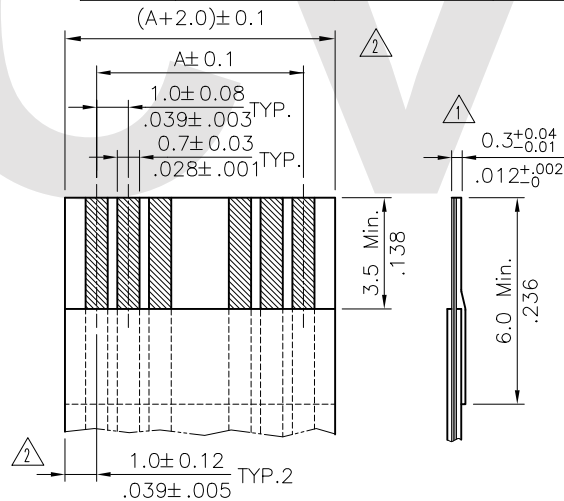
Lead Free Process

RoHS Compliant

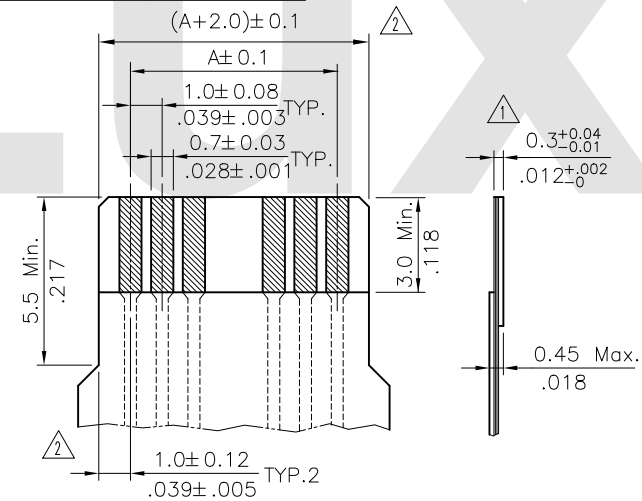
| | | | | | | | | |
|-----|-------|-----------|-----------------------|---------------------|----------|---|--|--|
| ④ | | | | | DATE | UNIT: mm / inch | TITLE: 1.00mm(.039") ST. DIP TYPE LIF FFC/FPC CONNECTOR |  瀚荃股份有限公司 CviLux Corporation |
| ③ | Karen | 5/09-17' | ECNT117070/ECRT117004 | DRAWN BY: Karen | 5/9-17' | TOLERANCE UNLESS OTHERWISE SPECIFIED | MATERIAL: | |
| ② | Bill | 03/27/08' | ECR08027-0/ECN08145 | ENGINEER: Sun | 5/10-17' | .X ± 0.15/.006 X' ± 1' | FINISH: | DRAWING NO. CF1642SD PART NO. CF16**1V0*0-LF |
| ① | Sandy | 9/22-07' | ECN07381/ECR07065-1 | CHECKED BY: Eisley | 5/10-17' | .XX ± 0.10/.004 X' ± | | SCALE 3 / 1 SHEET 1 OF 2 |
| SYM | NAME | DATE | REVISIONS | APPROVED BY: Eisley | 5/10-17' | .XXX ± 0.05/.002 .XX ± | | |

CVILUX CORP
2017.05.11
ISSUED

| Circuits | Dimension | | | Circuits | Dimension | | |
|----------|-------------|------------|-------------|----------|--------------|-------------|--------------|
| | A | B | C | | A | B | C |
| 3 | 2.00(.079) | 8.00(.315) | 4.10(.161) | 18 | 17.00(.670) | 23.0(.905) | 19.10(.752) |
| 4 | 3.00(.118) | 9.00(.354) | 5.10(.201) | 19 | 18.00(.709) | 24.0(.945) | 20.10(.791) |
| 5 | 4.00(.157) | 10.0(.393) | 6.10(.240) | 20 | 19.00(.748) | 25.0(.984) | 21.10(.831) |
| 6 | 5.00(.197) | 11.0(.433) | 7.10(.280) | 21 | 20.00(.787) | 26.0(1.024) | 22.10(.870) |
| 7 | 6.00(.236) | 12.0(.472) | 8.10(.319) | 22 | 21.00(.827) | 27.0(1.063) | 23.10(.909) |
| 8 | 7.00(.275) | 13.0(.512) | 9.10(.358) | 23 | 22.00(.866) | 28.0(1.102) | 24.10(.949) |
| 9 | 8.00(.315) | 14.0(.551) | 10.10(.398) | 24 | 23.00(.905) | 29.0(1.142) | 25.10(.988) |
| 10 | 9.00(.354) | 15.0(.590) | 11.10(.437) | 25 | 24.00(.945) | 30.0(1.181) | 26.10(1.028) |
| 11 | 10.00(.393) | 16.0(.630) | 12.10(.476) | 26 | 25.00(.984) | 31.0(1.220) | 27.10(1.067) |
| 12 | 11.00(.433) | 17.0(.670) | 13.10(.516) | 27 | 26.00(1.024) | 32.0(1.260) | 28.10(1.106) |
| 13 | 12.00(.472) | 18.0(.709) | 14.10(.555) | 28 | 27.00(1.063) | 33.0(1.300) | 29.10(1.146) |
| 14 | 13.00(.512) | 19.0(.748) | 15.10(.594) | 29 | 28.00(1.102) | 34.0(1.339) | 30.10(1.185) |
| 15 | 14.00(.551) | 20.0(.787) | 16.10(.634) | 30 | 29.00(1.142) | 35.0(1.378) | 31.10(1.224) |
| 16 | 15.00(.590) | 21.0(.827) | 17.10(.673) | 31 | 30.00(1.181) | 36.0(1.417) | 32.10(1.263) |
| 17 | 16.00(.630) | 22.0(.866) | 18.10(.713) | 32 | 31.00(1.220) | 37.0(1.457) | 33.10(1.303) |




* ACCOMMODATED FFC



* ACCOMMODATED FPC

Lead Free Process
RoHS Compliant

| | | | | | | | | | |
|-----|-------|----------|-----------------------|---------------------|----------|--------------------------------------|---|--|-------------------------|
| 4 | | | | | DATE | UNIT: mm / inch | TITLE: 1.00mm(.039") ST. DIP TYPE LIF FFC/FPC CONNECTOR |  瀚荃股份有限公司 CviLux Corporation | |
| 3 | Karen | 5/09-17' | ECNT117070/ECRT117004 | DRAWN BY: Karen | 5/9-17' | TOLERANCE UNLESS OTHERWISE SPECIFIED | MATERIAL: | | |
| 2 | Bill | 03/27/08 | ECR08027-0/ECN08145 | ENGINEER: Sun | 5/10-17' | .X ± 0.15/.006 X' ± 1" | FINISH: | DRAWING NO. CF1642SD | PART NO. CF16**1V0*0-LF |
| 1 | Sandy | 9/22-07' | ECN07381/ECR07065-1 | CHECKED BY: Eisley | 5/10-17' | .XX ± 0.10/.004 X ± | | SCALE 3 / 1 | SHEET 2 OF 2 |
| SYM | NAME | DATE | REVISIONS | APPROVED BY: Eisley | 5/10-17' | .XXX ± 0.05/.002 .XX ± | | | |

CIVILUX CORP
2017.05.11
ISSUED