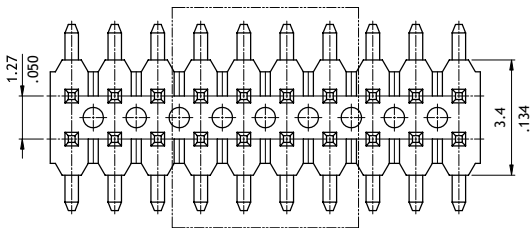
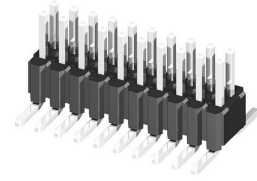


CH52 Series 1.27mm(.050") Dual Row SMT Pin Headers

○ Mate with CB50 and CBC1 series

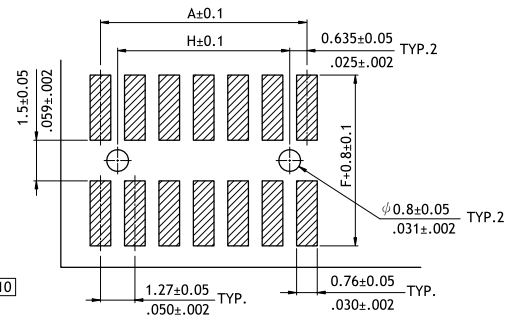
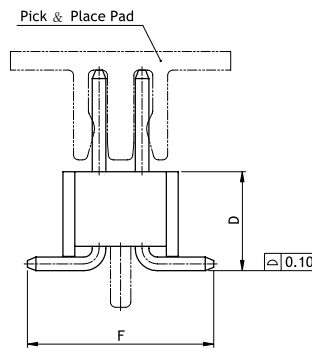
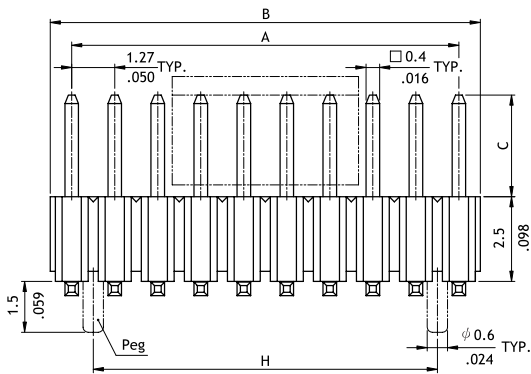


$$A = 1.27 \times \text{No. of Spaces}$$

$$B = A + 1.27$$

$$H = A - 1.27$$

Option Code	Pin Dimension		
	C	D	E
00	3.0(.118)	2.92(.115)	5.5(.217)



Recommended P.C. Board Layout

Ordering Code

1 CH **2** **3** **4** **5** **6** **7** **8**
5 2 X 1 2 M 1 0 0 - 0 0

- 1** Series No.
- 2** No. of Circuits: 06 to 100 (X1 = 100)
- 3** Plating Code: 2 = Gold flash over Nickel
- 4** Tail & Mounting Style: M = SMT Type
- 5** Insulator Material & Color: 1 = Nylon 6T, Color Black
- 6** Other Options: 00 = Standard
 - *See option code table
 - *Consult manufacturer for customized pin length
- 7** Pegs Options:
 - 0 = Without Peg
 - P = With Pegs
- 8** Packing:
 - 0 = Without Pick & Place Pad (Tube)
 - P = With Pick & Place Pad (Tape & Reel)