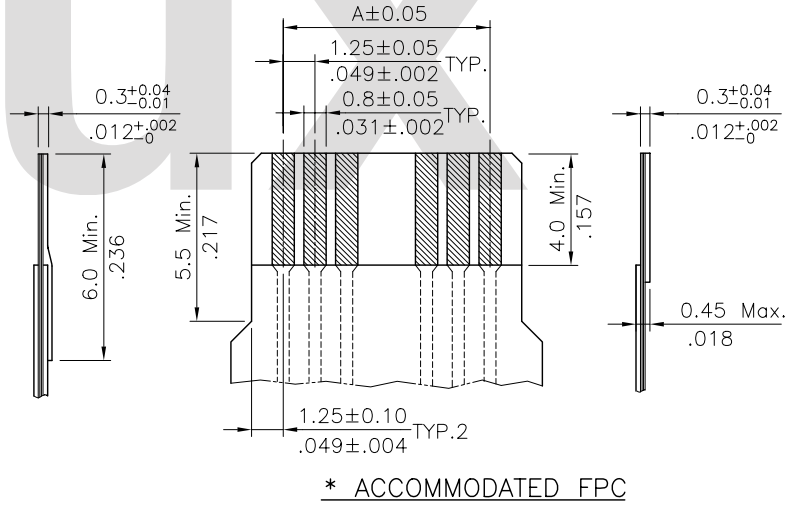
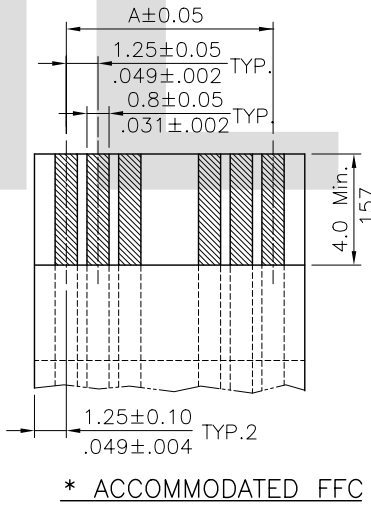
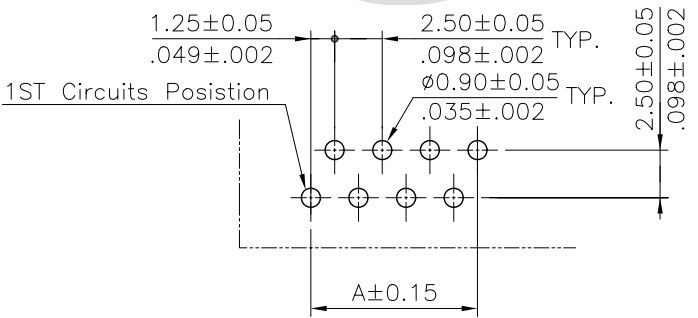
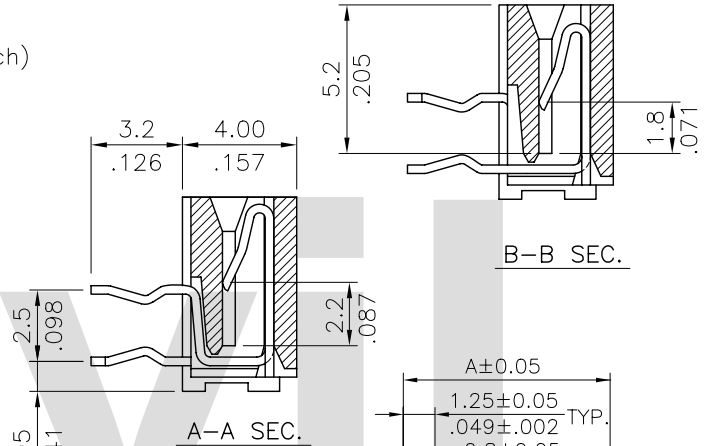
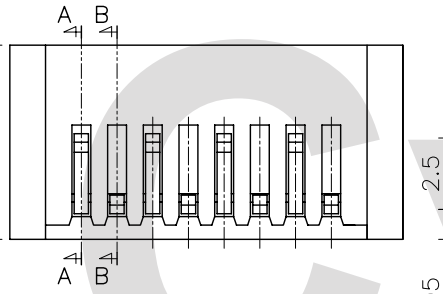


A = 1.25 x No. of Spaces
 B = A + 5.0
 C = A + 2.66
 * Available in 3 through 36 circuits




Material:
 * Insulation: Nylon46 with 40% GF.
 UL 94V-0, Color Black
 * Contact: Phosphor Bronze

Ordering Code
 CF12 ** 1 H0 T 0 -LF
 ① ② ③ ④ ⑤ ⑥ ⑦

① Series No.
 ② No. of Circuits
 ③ Plating code:
 1 = 2.54μm(100μ") Tin over
 0.76μm(30μ") Nickel(Matte Tin Finish)
 ④ Contact type : H0= Right angle type
 ⑤ Packing : T= Tube Packaged
 ⑥ Other option: 0= Standard
 ⑦ -LF= For Leadfree IR Processes

Recommended P.C. Board Layout

④					DATE	UNIT: mm / inch	TITLE: 1.25mm(.049") R/A DIP TYPE LIF FFC/FPC CONNECTOR	 瀚荃股份有限公司 CviLux Corporation
③					DRAWN BY: Karen	TOLERANCE UNLESS OTHERWISE SPECIFIED	MATERIAL:	
②					ENGINEER: Easley	.X ± 0.15/.006 X' ± 1'	FINISH:	DRAWING NO. CF1213SA PART NO. CF12**1H0T0-LF
①					CHECKED BY: David	.XX ± 0.10/.004 X' ±		SCALE 3 / 1 SHEET 1 OF 1
SYM	NAME	DATE	REVISIONS	APPROVED BY: Alex	3/10-09'	.XXX ± 0.05/.002 XX' ±		

