

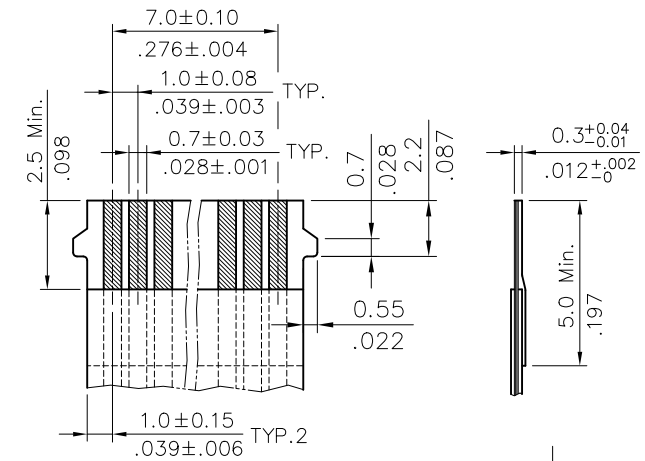
Material :

- * Body : High temperature plastic UL 94V-0
Color Nature
- * Cover : High temperature plastic UL 94V-0
Color Black
- * Contact : Phosphor Bronze
- * Fixed tab : Brass with Tin Plated

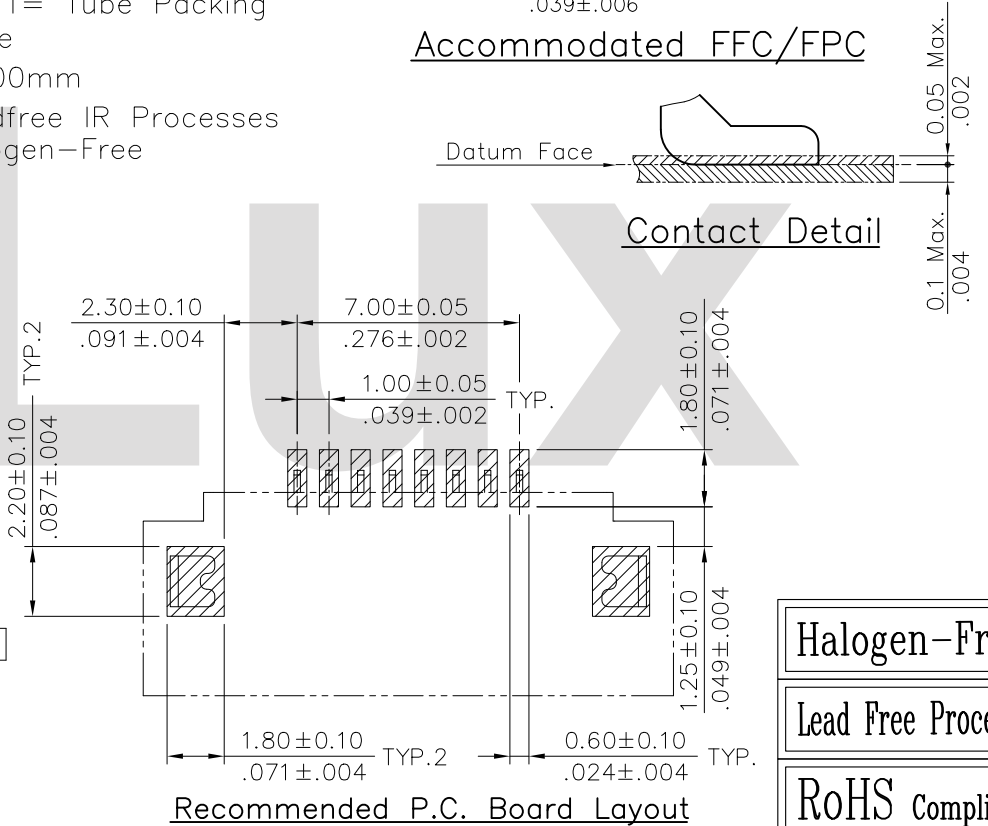
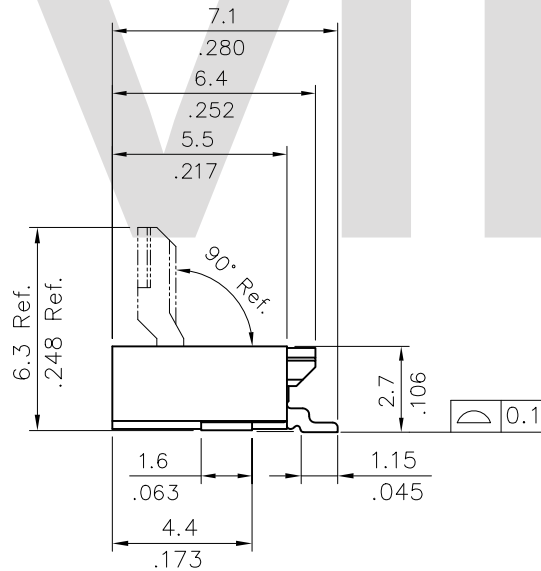
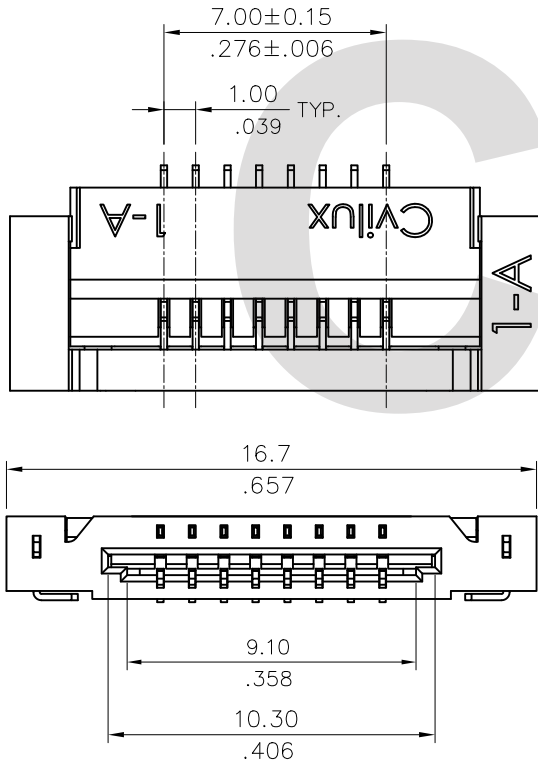
Ordering Code

CF11 08 2 D 0 * B - 10 - NH
 ① ② ③ ④ ⑤ ⑥ ⑦ ⑧ ⑨

- ① Series No.
- ② No. of Circuits: 8 Pin
- ③ Plating code:
2= Gold flash over Nickel
- ④ Contact style: D= Downside contact
- ⑤ Color: 0= Nature
- ⑥ Other option: R= Tape & Reel
T= Tube Packing
- ⑦ B= Latch Type
- ⑧ 10= Pitch 1.00mm
- ⑨ NH= For Leadfree IR Processes and Halogen-Free



Accommodated FFC/FPC




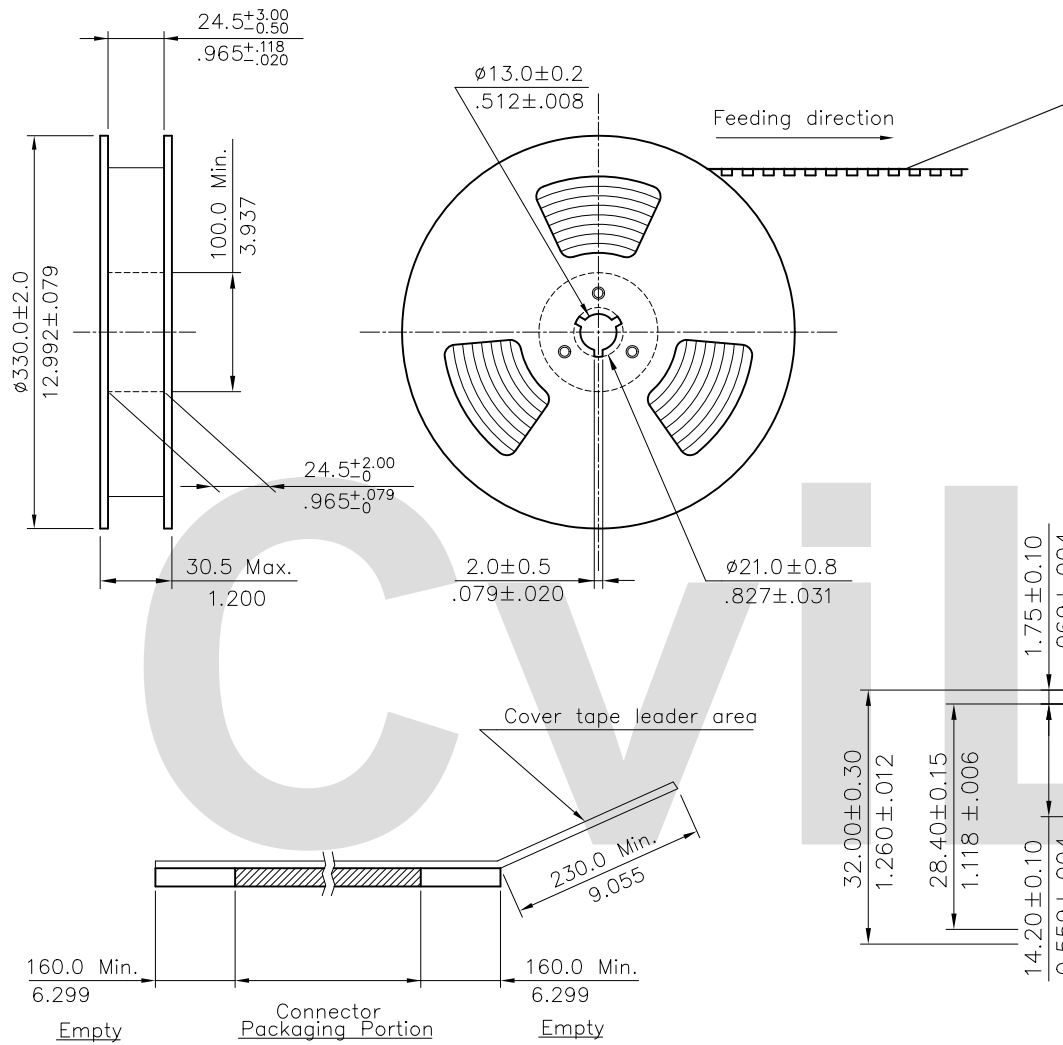
Recommended P.C. Board Layout

Halogen-Free

Lead Free Process

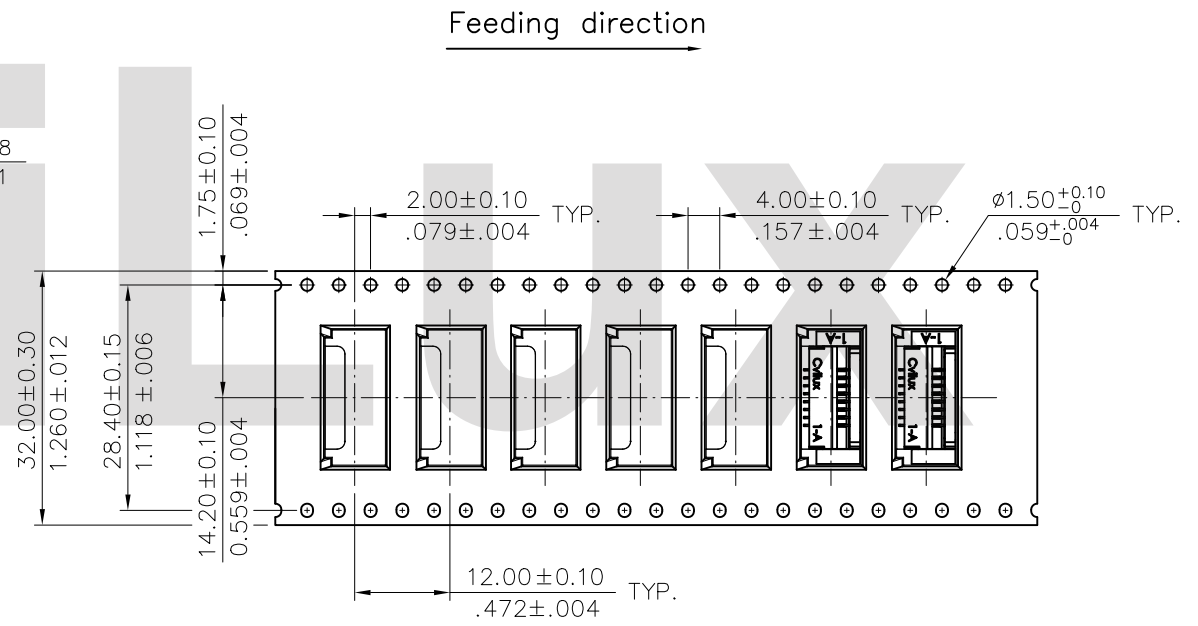
RoHS Compliant

④					DATE	UNIT: mm / inch	TITLE: 1.00mm(.039") ZIF FFC/FPC LATCH TYPE CONNECTOR	 瀚荃股份有限公司 CviLux Corporation
③						TOLERANCE UNLESS OTHERWISE SPECIFIED	MATERIAL:	
②	Enya	4/2-14'	ECNT114047/ECRB114009	2014.04.11 ISSUED	DRAWN BY: Enya	4/02-14'	.X ± 0.20/.008 X* ± 1'	DRAWING NO. CF1106SB
①	Clark	10/01-12	ECN12244-0		ENGINEER: Sun	4/03-14'	.XX ± 0.10/.004 X* ±	PART NO. CF11082D0*B-10-NH
SYM	NAME	DATE	REVISIONS		CHECKED BY: Eisley	4/08-14'	.XXX ± 0.05/.002 .XX ±	SCALE 4 / 1
					APPROVED BY: David	4/08-14'		SHEET 1 OF 2




NOTE :

- * Reel Material : Corrugated Paper
- * Carrier Material : Clear, Conductive Polystyrene Alloy
- * Cover Tape Material : Polyester
- * Cover Tape Peel Strength : 0.1N – 1.3N
- * Carrier camber is within 1mm in 100mm
- * All dimensions meet EIA-481-2 & EIA-481-3 requirements.
- * Quantity : 1500 PCS/Reel
- * Packing : 7 Reel/Carton



WIDTH : 32 mm Carrier

RoHS Compliant

4					DATE	UNIT: mm / inch	TITLE: 1.00mm(.039") ZIF FFC/FPC LATCH TYPE CONNECTOR	 瀚荃股份有限公司 CviLux Corporation	DRAWING NO. CF1106SB PART NO. CF11082D0*B-10-NH
3				2014.04.11	TOLERANCE UNLESS OTHERWISE SPECIFIED	MATERIAL:	SCALE		
2	Enya	4/2-14'	ECNT114047/ECRB114009	ISSUED	DRAWN BY: Enya	.X ±	X' ± 1'	SHEET 2 OF 2	
1	Clark	10/01-12	ECN12244-0		ENGINEER: Sun	.XX ±	X' ±		
SYM	NAME	DATE	REVISIONS		CHECKED BY: Eisley	.XXX ±	.XX ±		
					APPROVED BY: David				