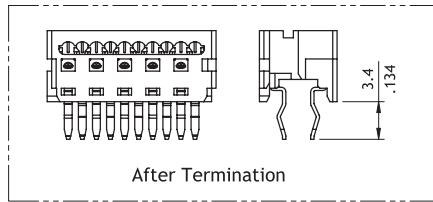
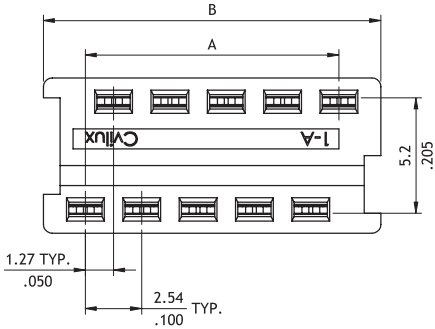
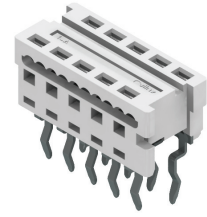
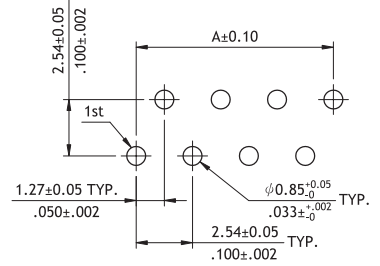
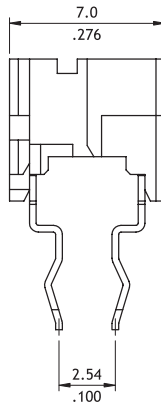
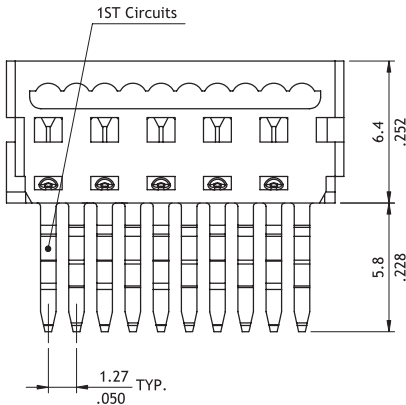


CA34 Series 1.27mm(.050") Flat Cable - IDC DIP Plugs

- Can be used CW03 1.27mm(.050") Center Spacing flat ribbon cable
- Insulator: Glass Filled Polyester UL 94V-0, Color Nature



A = 1.27 x No. of Spaces
B = A + 3.78



Recommended P. C. Board Layout

Ordering Code

1 **2** **3** **4** **5** **6** **7**
CA34 26 P 1 0 00 - NH

- 1** Series No.
- 2** No. of Circuits: 04 to 26
- 3** Contact Type:
P = Pin Header
- 4** Plating Code:
1 = Matte Tin over Nickel
- 5** Color: 0 = Nature
- 6** Other Options: 00 = Standard (Tube Packing)
- 7** -NH = For Lead Free Process and Halogen-Free

CA

IDC CONNECTORS