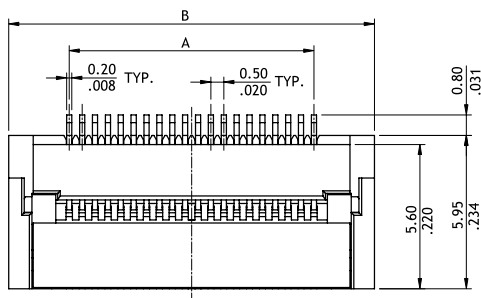
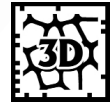
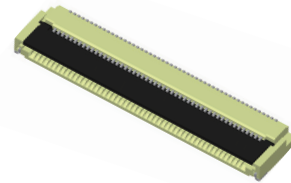
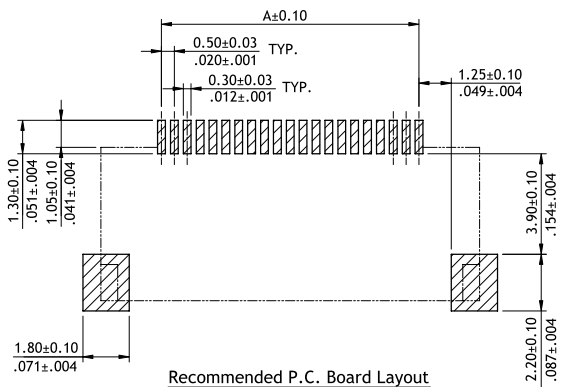
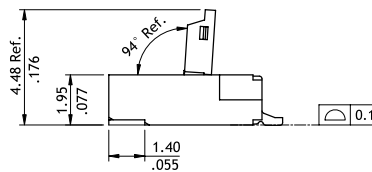
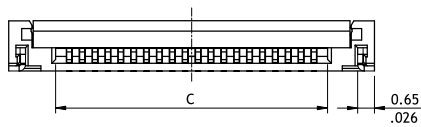
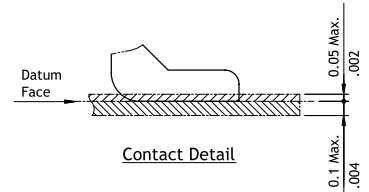


**CF34 Series 0.50mm(.020")H=1.95 SMT ZIF One-Touch FFC/FPC Connectors**

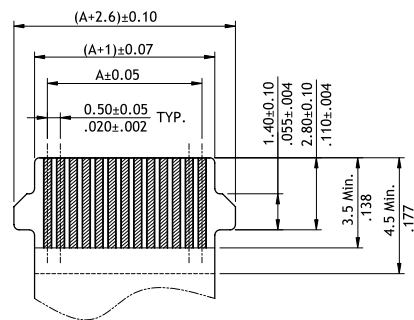
- ⊙ 1.95mm above the board
- ⊙ FFC/FPC zero insertion force and high holding force
- ⊙ Insulation: High temperature plastic UL 94V-0, Color Nature
- ⊙ Cover: High temperature plastic UL 94V-0, Color Black
- ⊙ Actuator designed easy for FFC/FPC installation and reliable operation
- ⊙ With metal fixed tabs to secure connector in place



A = 0.5 x No. of Spaces  
 B = A + 4.7  
 C = A + 1.06



Recommended P.C. Board Layout



Recommended FPC/FFC Dimension  
 (Thickness: 0.3±0.03mm)

**Ordering Code**

① ② ③ ④ ⑤ ⑥ ⑦ ⑧ ⑨  
**CF34 401 D0R0 - 05 - NH**

- ① Series No.
- ② No. of Circuits: 04 to 60  
 (Available: 09,18,54)  
 \*Circuits not found above please consult manufacturer\*
- ③ Plating Code:  
 1 = Tin over Nickel  
 2 = Matte Gold flash over Nickel
- ④ Contact Style:  
 D = Downside Contact
- ⑤ Color: 0 = Nature
- ⑥ Packing:  
 R = Tape & Reel
- ⑦ Other Options:  
 0 = Without Mylar (Standard)  
 \*Special options consult manufacturer
- ⑧ Pitch: 05 = 0.50 mm
- ⑨ -NH = For Lead Free IR process and Halogen-Free