


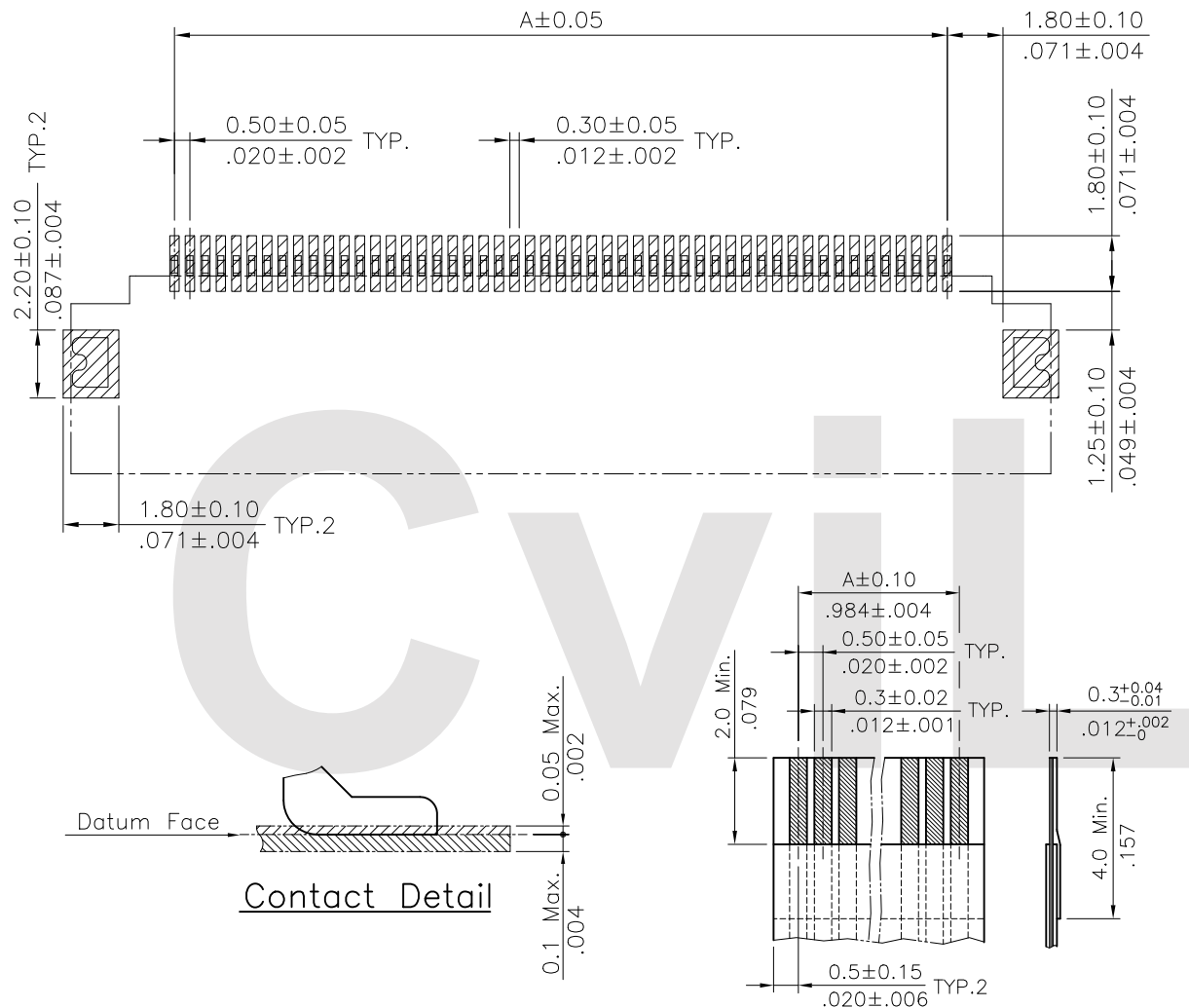
$A = 0.50 * \text{No. of Spaces}$
 $B = A + 6.7$
 $C = A + 1.1$

△ * Available 5,8,20,26,41,45,50,51 circuits

Halogen-Free
 Lead Free Process
 RoHS Compliant

△6	Sun	6/06-16'	ECNT116119/ECRB116034		DATE	UNIT: mm / inch	TITLE: 0.50mm(.020") ZIF FFC/FPC ONE-TOUCH CONNECTOR	 瀚荃股份有限公司 CviLux Corporation
△5	Enya	4/2-14'	ECNT114047/ECRB114009	DRAWN BY: Sun	6/6-16'	TOLERANCE UNLESS OTHERWISE SPECIFIED		
△4	Enya	3/6-14'	ECRB114009	ENGINEER: Sun	6/6-16'	.X ± 0.25/.010 X' ± 1'	MATERIAL:	DRAWING NO. CF1102SF PART NO. CF11**2D1*A-05-NH
△3	Enya	12/16-13	ECNT113155/ECRT113048	CHECKED BY: Eisley	6/7-16'	.XX ± 0.15/.006 .X' ±		
SYM	NAME	DATE	REVISIONS	APPROVED BY: Eisley	6/7-16'	.XXX ± 0.10/.004 .XX' ±	FINISH:	SCALE 4 / 1 SHEET 1 OF 3

CVILUX CORP
 2016.06.16
 ISSUED



Accommodated FFC/FPC

Notes:

- * Body : High temperature plastic UL 94V-0
Color Black
- * Cover : High temperature plastic UL 94V-0
Color Black
- * Contact : Phosphor Bronze
- * Fixed tab : Brass with Tin Plated
- * For Leadfree IR Reflow Processes

Ordering Code

CF11 ** 2 D 1 *A - 05 - NH
① ② ③ ④ ⑤ ⑥ ⑦ ⑧

- ① Series No.
- ② No. of Circuits: 5,8,20,26,41,45,50,51 Pin
- ③ Plating code:
2= Gold flash over Nickel
- ④ Contact style: D= Downside contact
- ⑤ Color: 1= Black
- ⑥ Other option: RA= Tape & Reel
TA= Tube Packing
- ⑦ 05= Pitch 0.50mm
- ⑧ NH= For Leadfree IR Processes and Halogen-Free

Halogen-Free

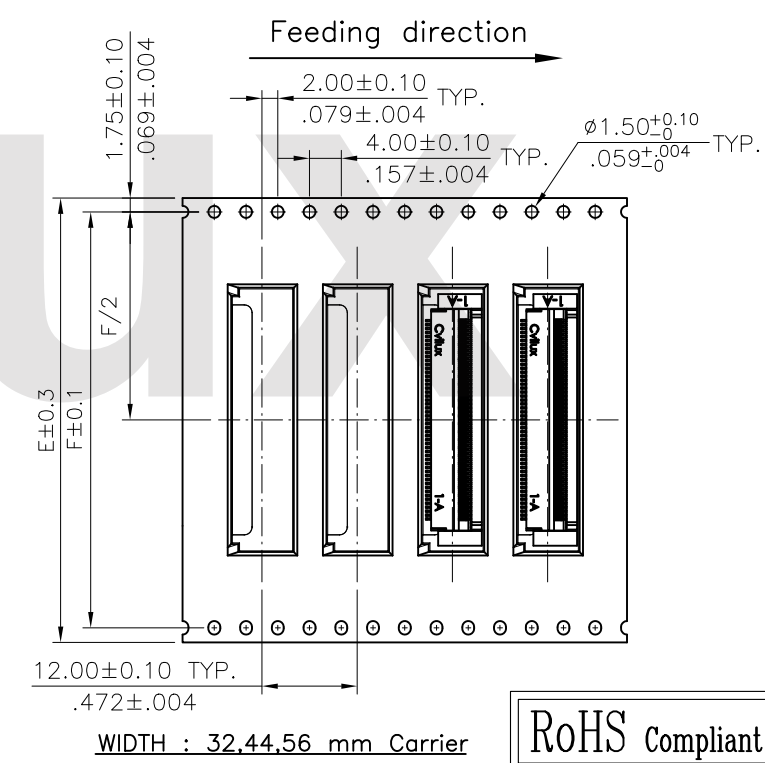
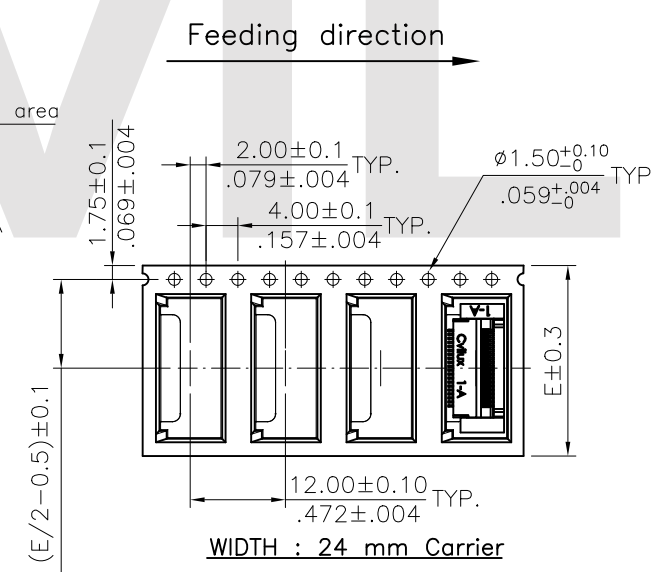
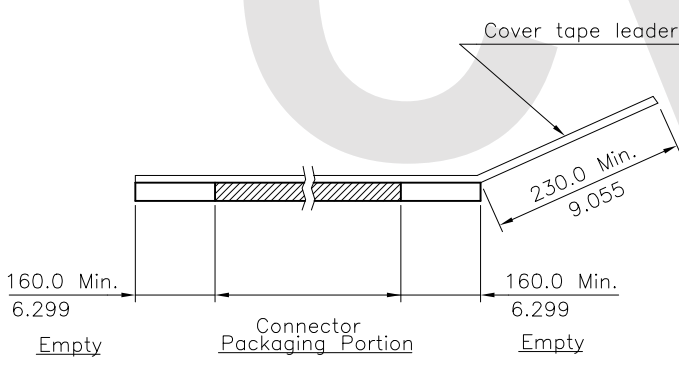
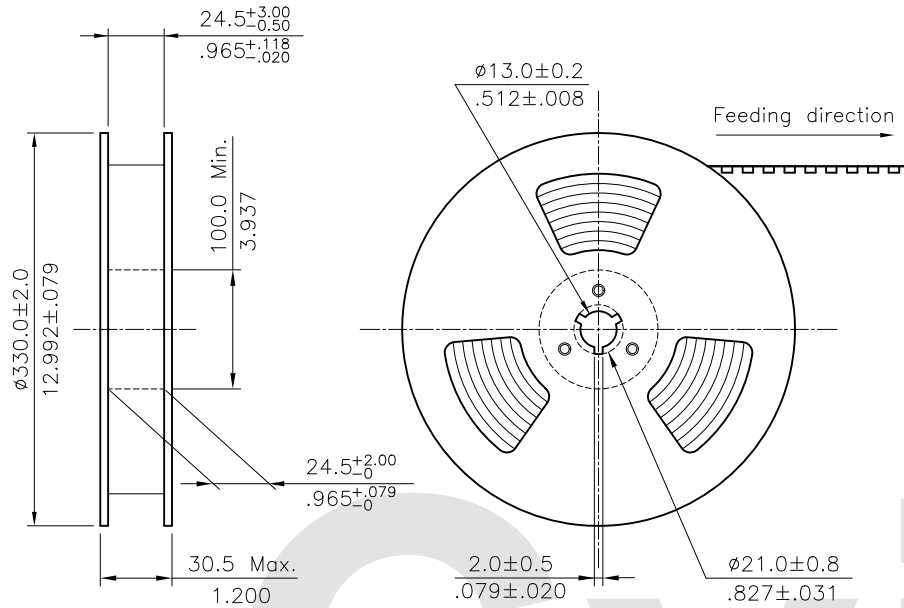
Lead Free Process

RoHS compliant

SYM	NAME	DATE	REVISIONS	APPROVED BY:	Eisley	6/7-16'	UNIT: mm / inch	TITLE: 0.50mm(.020") ZIF FFC/FPC ONE-TOUCH CONNECTOR	MATERIAL:	FINISH:	DRAWING NO. CF1102SF	PART NO. CF11**2D1*A-05-NH	SCALE 4 / 1	SHEET 2 OF 3
⑥	Sun	6/06-16'	ECNT116119/ECRB116034				DATE							
⑤	Enya	4/2-14'	ECNT114047/ECRB114009		Sun	6/6-16'	UNIT: mm / inch							
④	Enya	3/6-14'	ECRB114009		Sun	6/6-16'	TOLERANCE UNLESS OTHERWISE SPECIFIED							
③	Enya	12/16-13	ECNT113155/ECRT113048		Eisley	6/7-16'	.X ± 0.25/.010	.X' ± 1'						
					Eisley	6/7-16'	.XX ± 0.15/.006	.X' ±						
					Eisley	6/7-16'	.XXX ± 0.10/.004	.XX' ±						

CVILUX CORP
2016.06.16
ISSUED


 瀚荃股份有限公司
CviLux Corporation



- NOTE :
- * Reel Material : Corrugated Paper
 - * Carrier Material : Clear, Conductive Polystyrene Alloy
 - * Cover Tape Material : Polyester
 - * Cover Tape Peel Strength : 0.1N – 1.3N
 - * Carrier camber is within 1mm in 100mm
 - * All dimensions meet EIA-481-2 & EIA-481-3 requirements.
 - * Quantity : 1500 PCS/Reel

Circuits	Dimension					Packing (Reel/Caton)
	E	F	W1	W2	W3	
5,8	24.0(.945)	—	24.5(.965)	30.5(1.200)	24.5(.965)	8
20,26	32.0(1.260)	28.40(1.118)	32.5(1.280)	38.5(1.516)	32.5(1.280)	7
41,45,50	44.0(1.732)	40.40(1.596)	44.5(1.752)	50.5(1.988)	44.5(1.752)	5
51	56.0(2.204)	52.50(2.067)	56.5(2.224)	62.5(2.460)	56.5(2.224)	4

RoHS Compliant

△6	Sun	6/06-16'	ECNT116119/ECRB116034	DATE	UNIT: mm / inch	TITLE: 0.50mm(.020") ZIF FFC/FPC ONE-TOUCH CONNECTOR		 瀚荃股份有限公司 CviLux Corporation				
△5	Enya	4/2-14'	ECNT114047/ECRB114009	DRAWN BY: Sun	6/6-16'							TOLERANCE UNLESS OTHERWISE SPECIFIED
△4	Enya	3/6-14'	ECRB114009	ENGINEER: Sun	6/6-16'	.X ±	X' ± I'	MATERIAL:	DRAWING NO.	CF1102SF	PART NO.	CF11**2D1*A-05-NH
△3	Enya	12/16-13	ECNT113155/ECRT113048	CHECKED BY: Eisley	6/7-16'	.XX ±	.X' ±	FINISH:	SCALE		SHEET	3 OF 3
SYM	NAME	DATE	REVISIONS	APPROVED BY: Eisley	6/7-16'	.XXX ±	.XX' ±					

CVILUX CORP
2016.06.16
ISSUED