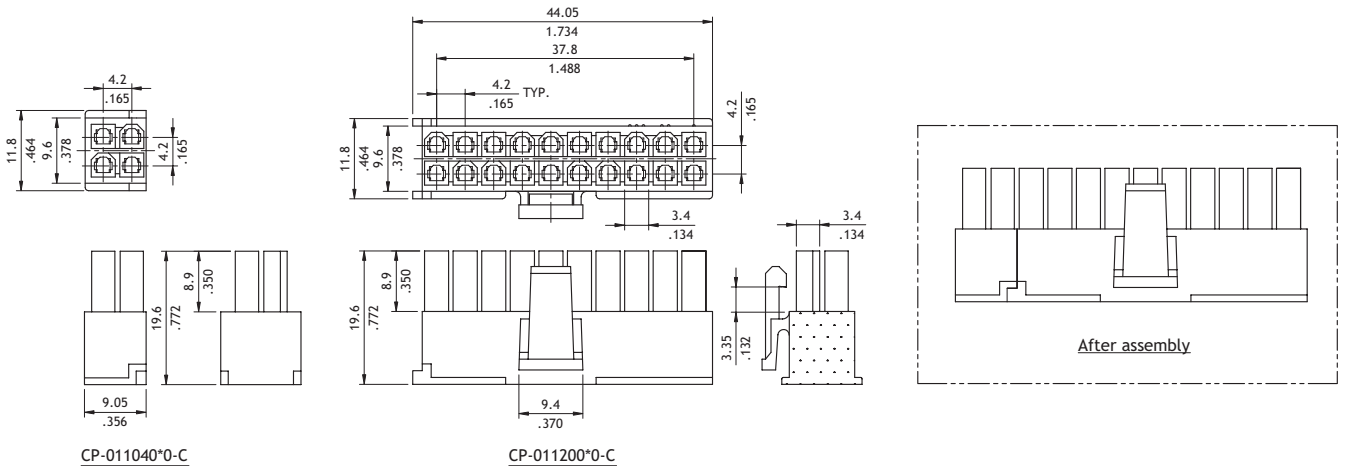
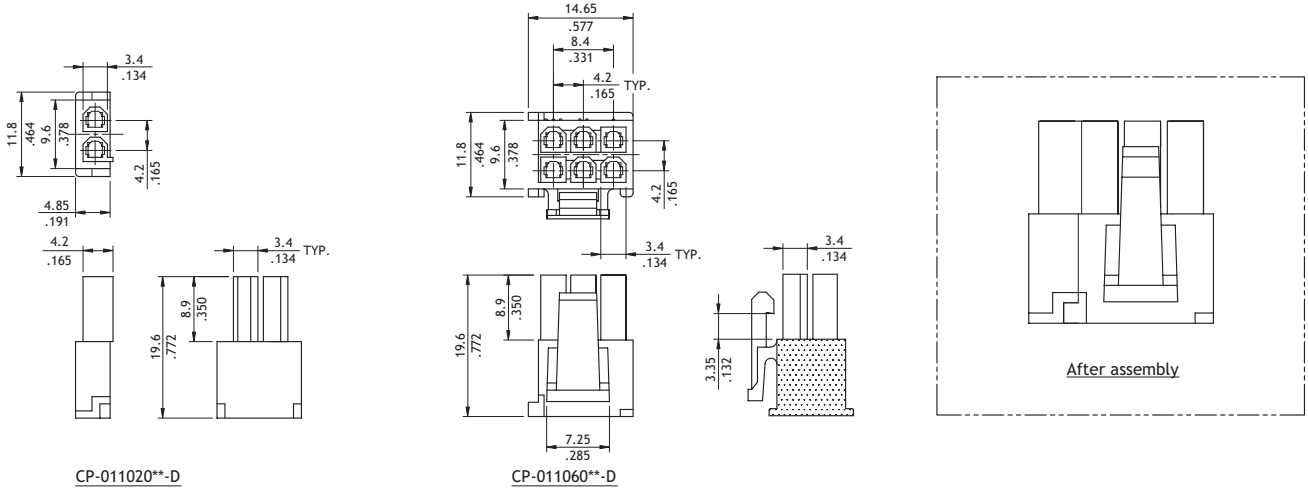
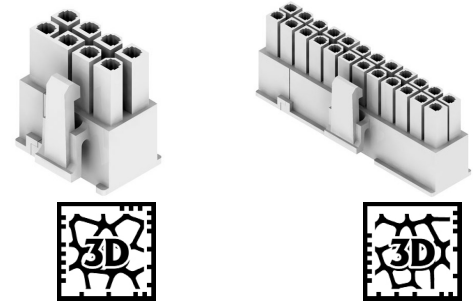


CP-011 Series 4.20mm (.165") Assembly Power Connectors

- With locking latch
- Mates with CP-012, CP-013 or CP-014 connector
- Nylon 66 UL 94V-0 or V-2 insulator material
- Can be used CP-011 crimp terminal
- Terminal accommodated AWG #16 ~ #26



Ordering Code

1
2
3
4
5
6
7
CP - 01 1 20 0 1 0 - C

- 1** Series No.
- 2** Connector Type: 1 = Receptacle
- 3** No. of Circuits:
02, 04, 06, 20
- 4** Plating: 0 = Non plating
- 5** Variation: 1 = UL 94V-2
3 = UL 94V-0

- 6** Color Options:
0 = Nature (Standard)
*Special options consult manufacturer
- 7** Other Options:
C = Assembly Type
D = PCI-E Assembly Type