

Material:

* Insulation: Nylon 6T UL 94V-0

Color Nature

* Slider: Nylon 6T UL 94V-0, Color Brown

* Contact: Phosphor Bronze

Ordering Code

CF10 ** 1 U 0 T 0 -LF
 ① ② ③ ④ ⑤ ⑥ ⑦ ⑧

① Series No.

② No. of Circuits

③ Plating code:

1= Matte Tin plated over Nickel

④ Contact type : U= Up side contact

⑤ Insulation Color: 0= Nature

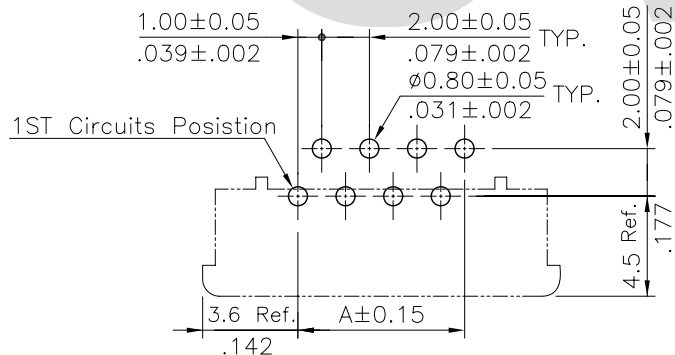
⑥ Packing : T= Tube Packaged

⑦ Other option: 0= Standard

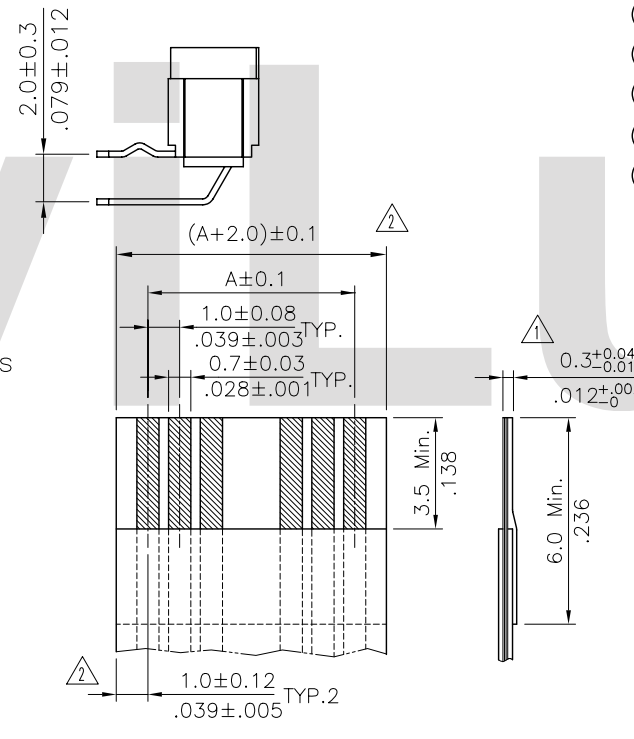
⑧ -LF=For Lead Free IR Process

A = 1.00 * No. of Spaces
 B = A + 7.2
 C = A + 2.1

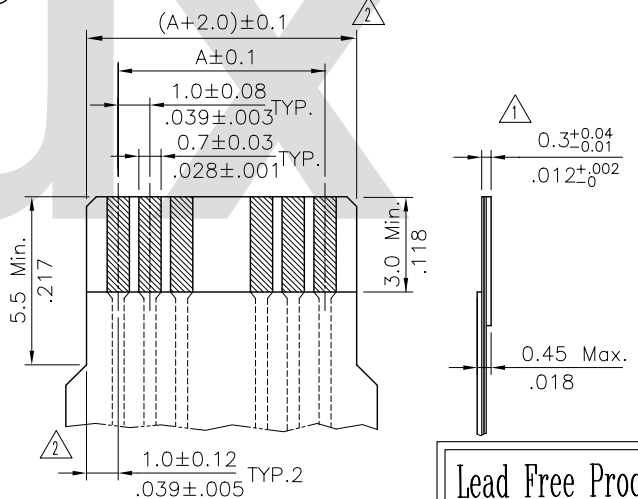
* Available in 4 through 32 circuits



Recommended P.C. Board Layout




* ACCOMMODATED FFC



* ACCOMMODATED FPC

Lead Free Process

RoHS Compliant

④						DATE	UNIT: mm / inch	TITLE: 1.00mm(.039") R/A DIP TYPE ZIF FFC/FPC CONNECTOR (UPSIDE CONTACT)	 瀚荃股份有限公司 CviLux Corporation
③						DATE	TOLERANCE UNLESS OTHERWISE SPECIFIED	MATERIAL:	
②	Bill	3/26-08'	ECR08027-0/ECN08145	CVILUX CORP. 2008.04.28 ISSUED	DRAWN BY: Bill	4/10 08'	.X ± 0.15/.006	.X' ± 1'	DRAWING NO. CF1024SC
①	Sandy	9/22-07'	ECN07381/ECR07065-1		ENGINEER: CLARK	4/14 08'	.XX ± 0.10/.004	.X' ±	PART NO. CF10**1UOTO-LF
SYM	NAME	DATE	REVISIONS		CHECKED BY: David	4/14 08'	.XXX ± 0.05/.002	.XX' ±	SCALE 3 / 1
					APPROVED BY: Alex	4/14 08'			SHEET 1 OF 1