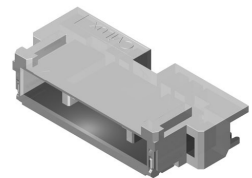
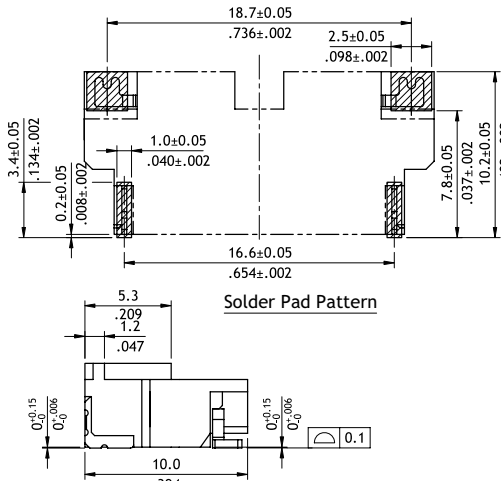
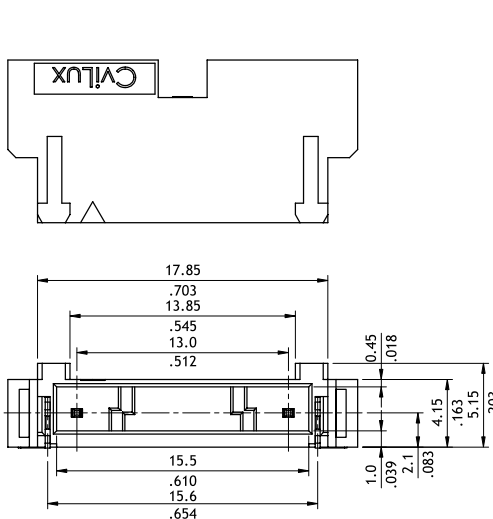
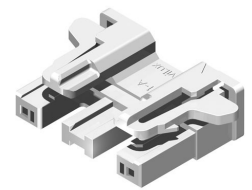
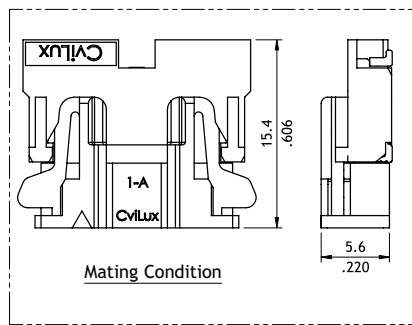
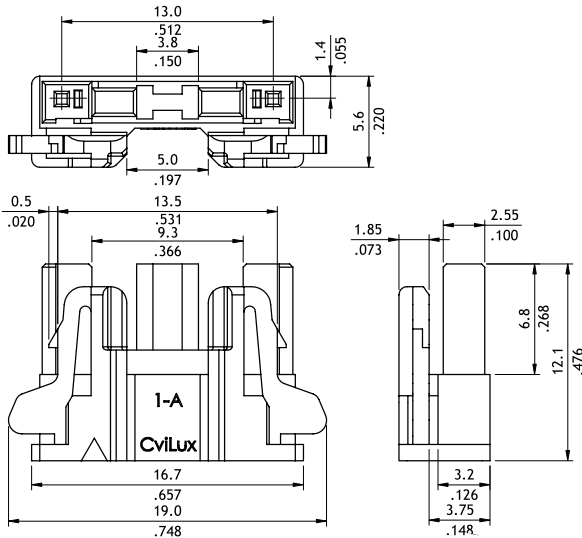


**CP04 Series 13.00mm (.512") High Voltage Wire to Board Connectors**

- Current Rating: 1.0A AC/DC (AWG #24)
- Current Rating: 1.0A AC/DC
- Voltage Rating: 3000V AC/DC (13.0mm pitch)
- Voltage Rating: 3000V AC/DC
- Shrouded headers with Fixed Tabs
- Low profile with high withstanding voltage
- Low profile with polarizing device
- Mate with CP04 FA Type Header
- Insulator: High temperature plastic UL 94V-0, Color Nature
- Can be used CP05 Crimp Clip Terminal
- Terminal: Tin plated Brass
- Insulator: Glass filled polyester, Color Nature



**Ordering Code**

**1 2 3 4 5 6**  
**CP04 2ESFA00**

- ① Series No.
- ② No. of Circuits: 2E = 13.0mm
- ③ S = Connector Housing
- ④ FA = With Latch F0 Type
- ⑤ Color: 0 = Nature
- ⑥ Other Options: 0 = Standard

**1 2 3 4 5 6 7 8 9**  
**CP04 2EP1MFB-NH**

- ① Series No.
- ② No. of Circuits: 2 pin
- ③ Circuits Pitch: E = 13.0mm
- ④ P = Header
- ⑤ Plating: 1 = Matte Tin over Nickel
- ⑥ Contact Type: M = SMT Type
- ⑦ F = With Latch Type
- ⑧ Other Options: B = Soldering pitch 18.7mm (Tape & Reel)
- ⑨ -NH = For Lead Free soldering process and Halogen-Free