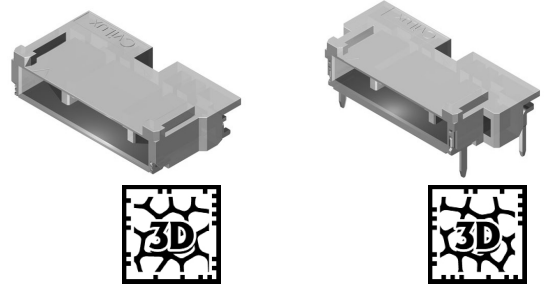
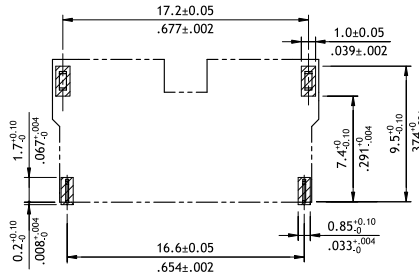
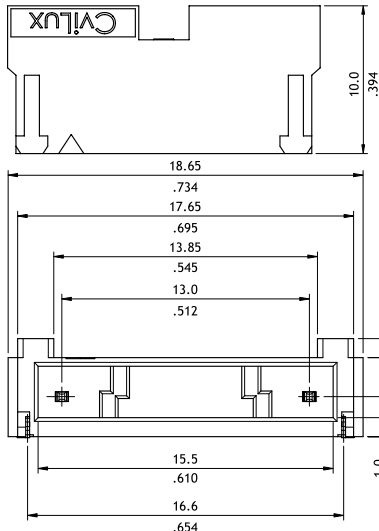


CP04 Series 13.00mm (.512") High Voltage Wire to Board Connectors

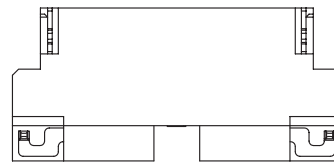
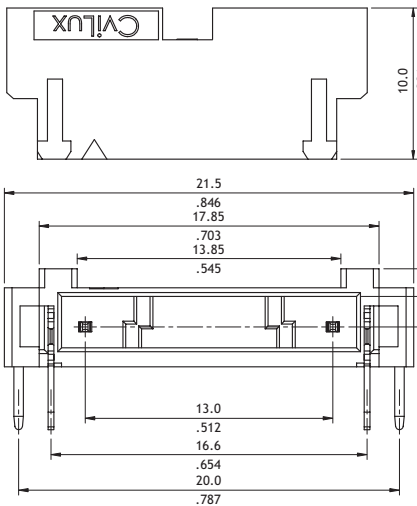
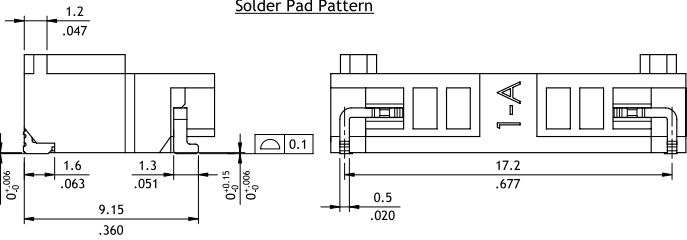
- ⊙ Current Rating: 1.0A AC/DC (AWG #24)
- ⊙ Voltage Rating: 3000V AC/DC (13.0mm pitch)
- ⊙ Shrouded headers with Fixed Tabs & Pegs
- ⊙ Low profile with polarizing device
- ⊙ Insulator: High temperature plastic UL 94V-0, Color Nature
- ⊙ Terminal : Tin plated Brass



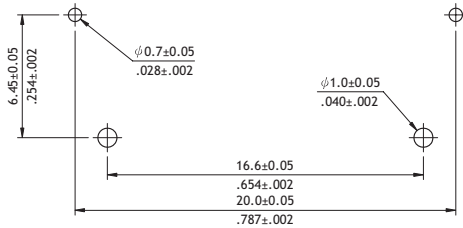
RoHS Compliant



Solder Pad Pattern



BACK VIEW



Recommended P.C. Board Layout

Ordering Code

① CP 04 ② 2 ③ E ④ P ⑤ 1 ⑥ M ⑦ F ⑧ A - ⑨ NH

- ① Series No.
- ② No. of Circuits: 02
- ③ Circuits pitch: E = 13.0mm
- ④ P = Header
- ⑤ Plating: 1 = Matte Tin over Nickel
- ⑥ Contact Type: M = SMT Type
H = DIP Type
- ⑦ Type: F = With Latch Type
- ⑧ Other Options:
A = Standard
- ⑨ -LF = For Lead Free soldering process
-NH = For Lead Free soldering process and Halogen-Free