

Material:
 * Insulation: Nylon 6T UL 94V-0, Color Nature
 * Slider: Nylon 6T UL 94V-0, Color Brown
 * Contact: Phosphor Bronze
 * PAD: Nylon 6T UL 94V-0, Color Nature

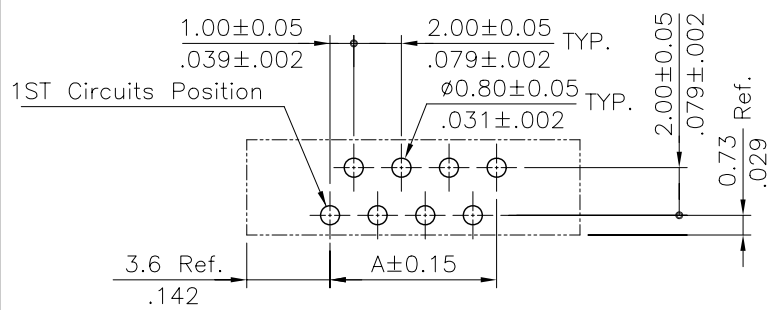
Ordering Code

CF10 ** 1 V 0 * 0 -LF
 ① ② ③ ④ ⑤ ⑥ ⑦ ⑧

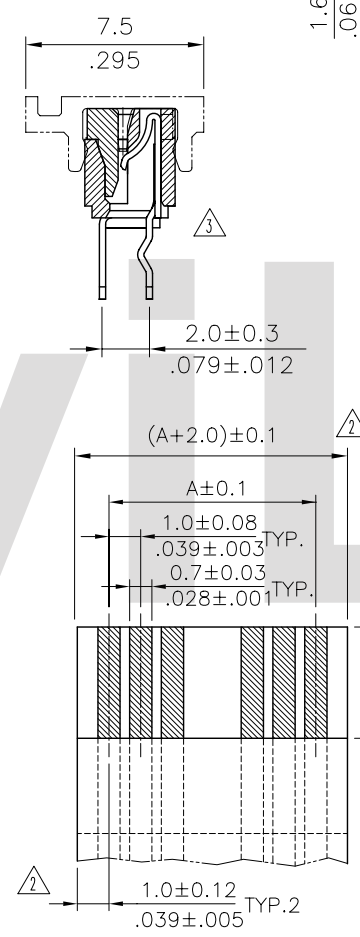
- ① Series No.
- ② No. of Circuits
- ③ Plating code:
1= Matte Tin plated over Nickel
- ④ Contact type: V= Straight DIP type
- ⑤ Insulation Color: 0= Nature
- ⑥ Packing : T= Tube Packaged
R= Reel Packaged(With PAD)
- ⑦ Option: 0= Standard
- ⑧ -LF=For Lead Free IR Process

A = 1.00 * No. of Spaces
 B = A + 7.2
 C = A + 2.1

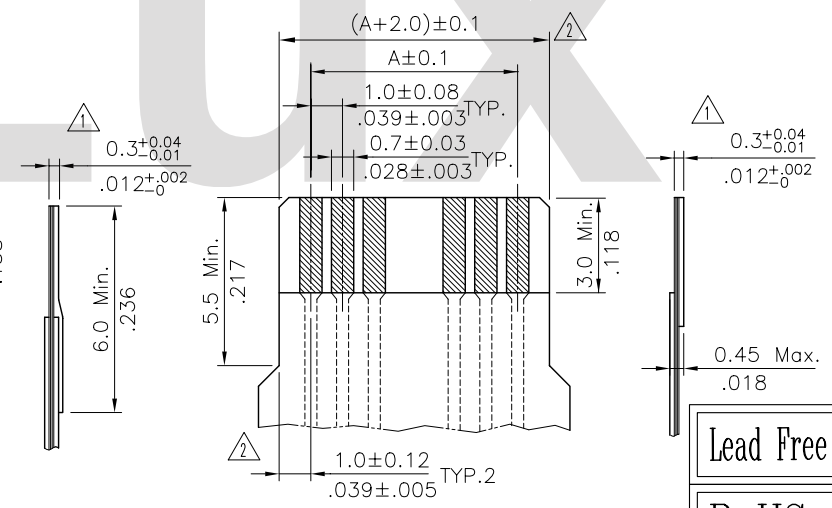
* Available in 4 through 32 circuits



Recommended P.C. Board Layout



* ACCOMMODATED FFC



* ACCOMMODATED FPC

Lead Free Process
 RoHS Compliant

④						DATE	UNIT: mm / inch	TITLE: 1.00mm(.039") ST. DIP TYPE ZIF FFC/FPC CONNECTOR	瀚荃股份有限公司 CviLux Corporation
③	Karen	8/25-09'	ECN09431	CVILUX CORP 2009.09.08 ISSUED	DRAWN BY: Karen	8/26-09'	TOLERANCE UNLESS OTHERWISE SPECIFIED	MATERIAL:	
②	Bill	3/26-08'	ECR08027-0/ECN08145		ENGINEER: Eisley	8/27-09'	.X ± 0.15/.006 X' ± 1'	FINISH:	PART NO. CF10**1V0*0-LF
①	Sandy	9/22-07'	ECN07381/ECR07065-1		CHECKED BY: David	8/27-09'	.XX ± 0.10/.004 X' ±		SCALE 3 / 1
SYM	NAME	DATE	REVISIONS		APPROVED BY: Alex	8/27-09'	.XXX ± 0.05/.002 XX' ±		