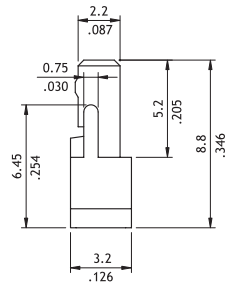
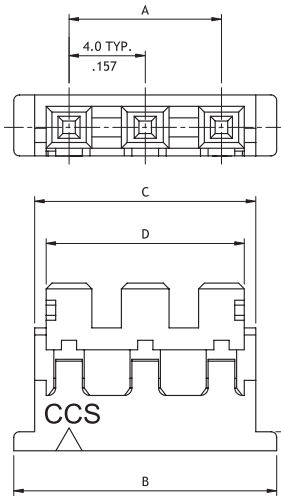
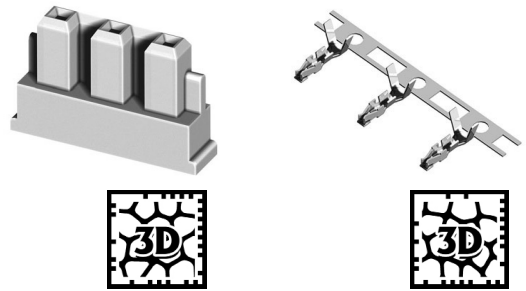
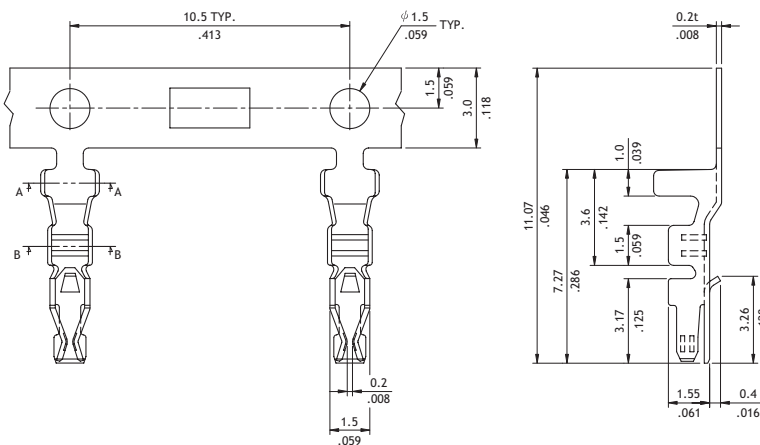
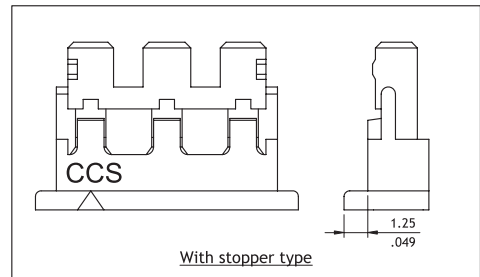


CP04 Series 4.00mm(.157") High Voltage Wire to Board Connectors

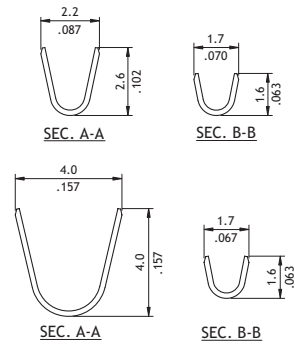
- ⊙ Current Rating: 1.0A AC/DC (AWG #22)
- ⊙ Voltage Rating: 2000V AC/DC (12.0mm Pitch)
- ⊙ Low profile with high withstanding voltage
- ⊙ Mate with CP04 header
- ⊙ Can be used CP04 Crimp Clip Terminal
- ⊙ Insulator: Nylon 66 UL 94V-0, Color Nature



Circuits	Dim.A	Dim.B	Dim.C	Dim.D
2	4.0(.157)	9.8(.386)	7.6(.299)	6.4(.252)
3	8.0(.315)	13.8(.543)	11.6(.457)	10.4(.409)
4	12.0(.472)	17.8(.701)	15.6(.614)	14.4(.567)
5	16.0(.630)	21.8(.858)	19.6(.772)	18.4(.724)



Part No.	Wire Range	Insulation Diameter	Reel Qty
CP04T021PE0	AWG #24-#28	1.45 (.057) MAX.	4,000 PCS.
CP04T031PE0	AWG #24 (6KV)	1.74 (.069) MAX.	4,000 PCS.



Ordering Code

1 CP04 **2** 05 **3** S **4** 0 **5** 000

- ① Series No.
- ② No. of Circuits: 02, 03, 04, 05
- ③ S = Housing
- ④ 0 = Without stopper
A = With stopper
- ⑤ Other Options: 000 = Standard

1 CP04 **2** T02 **3** 1 **4** P **5** E **6** 0

- ① Series No.
- ② Wire Range: T02 = AWG #22 ~ #28
T03 = AWG #18 ~ #22
- ③ Plating: 1 = Tin over Nickel
- ④ Material: P = Phosphor Bronze
- ⑤ Plating method: E = Pre-tinned
- ⑥ Options: 0 = Standard