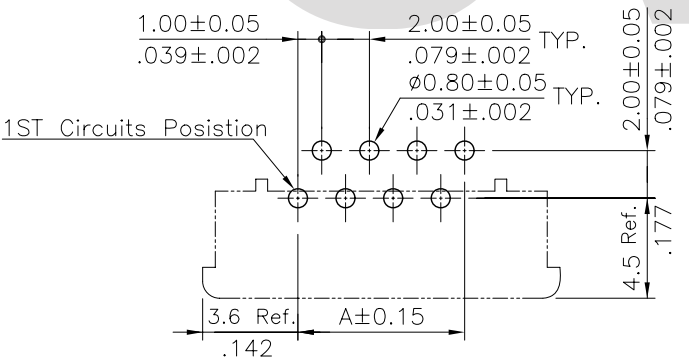
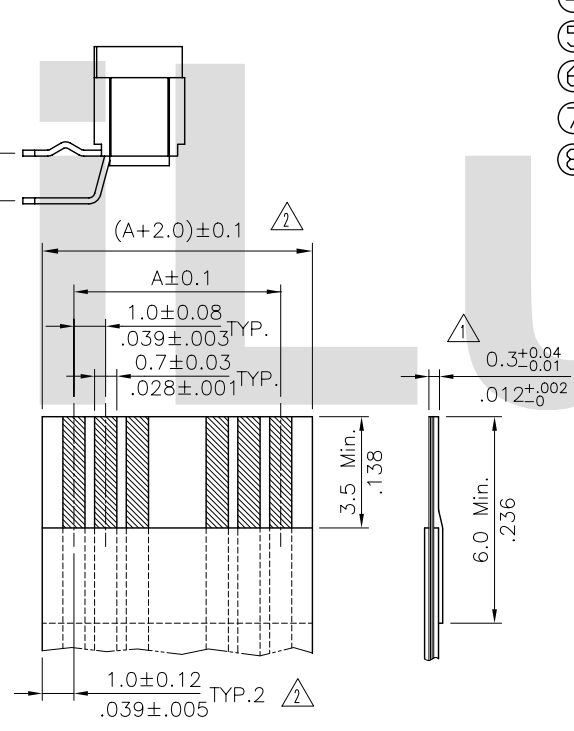


A = 1.00 * No. of Spaces
 B = A + 7.2
 C = A + 2.1

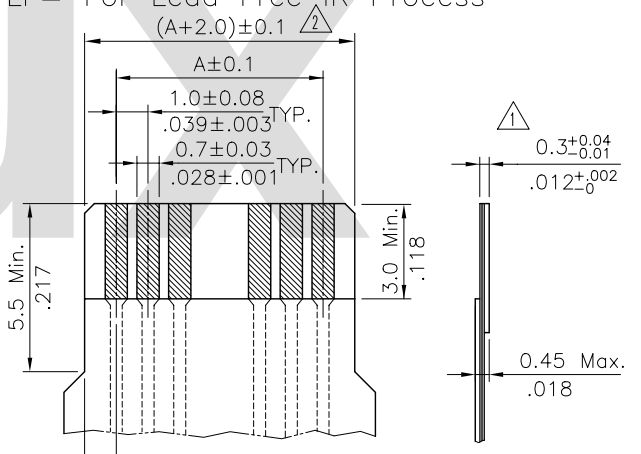
* Available in 4 through 32 circuits



Recommended P.C. Board Layout



* ACCOMMODATED FFC



* ACCOMMODATED FPC

Material:


- * Insulation: Nylon 6T UL 94V-0
Color Nature
- * Slider: Nylon 6T UL 94V-0, Color Brown
- * Contact: Phosphor Bronze

Ordering Code

CF10 08 1 D 0 T 0 -LF
 ① ② ③ ④ ⑤ ⑥ ⑦ ⑧

- ① Series No.
- ② No. of Circuits
- ③ Plating code:
1=Matte Tin plated over Nickel
- ④ Contact type : D= Down side contact
- ⑤ Insulation Color: 0= Nature
- ⑥ Packing : T= Tube Packaged
- ⑦ Other option: 0= Standard
- ⑧ -LF= For Lead Free IR Process

Lead Free Process
 RoHS Compliant

④					DATE	UNIT: mm / inch	TITLE: 1.00mm(.039") R/A DIP TYPE ZIF FFC/FPC CONNECTOR (DOWNSIDE CONTACT)	 瀚荃股份有限公司 CviLux Corporation	DRAWING NO. CF1022SC	PART NO. CF10**1DOTO-LF
③				DRAWN BY: Bill	4/10 08'	TOLERANCE UNLESS OTHERWISE SPECIFIED	MATERIAL:			
②	Bill	3/26-08'	ECR08027-0/ECN08145	ENGINEER: CLARK	4/14 08'	.X ± 0.15/.006 X' ± 1'	FINISH:			
①	Sandy	9/22-07'	ECN07381/ECR065-1	CHECKED BY: David	4/14 08'	.XX ± 0.10/.004 X' ±				
SYM	NAME	DATE	REVISIONS	APPROVED BY: Alex	4/14 08'	.XXX ± 0.05/.002 XX' ±				

CVILUX CORP.
 2008.04.28
 ISSUED