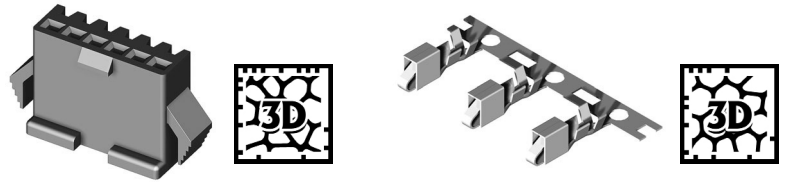
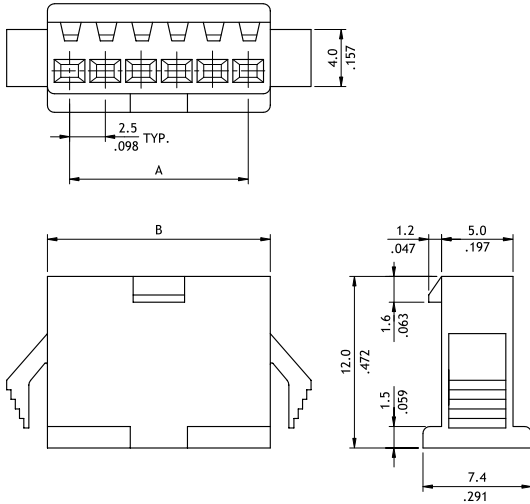


CP06 Series 2.50mm(.098") Receptacle Connectors

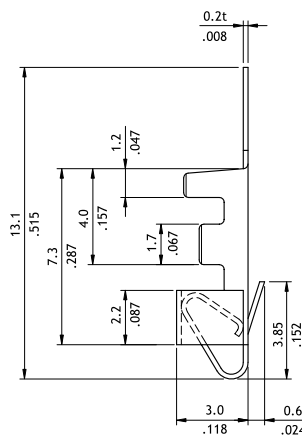
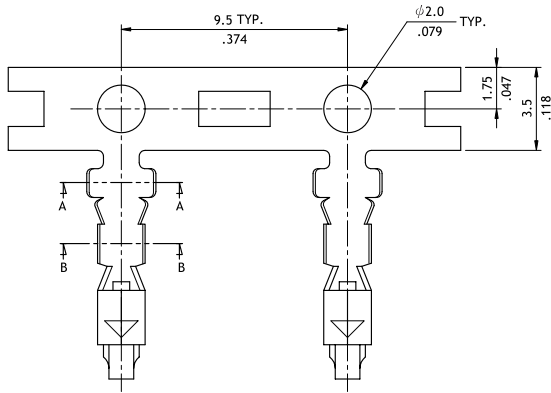
- ⊙ With locking latch mounting ears
- ⊙ Available in 2 through 12 circuits
- ⊙ Can be used CP06 Crimp Terminal
- ⊙ Nylon 66 UL 94V-2, Color Black



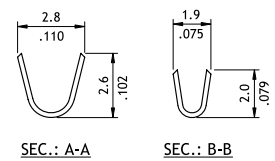
CP



Circuits	Dimension			Dimension D		
	A	B	C	t= 0.5-0.9mm	t= 1.0-1.5mm	t= 1.5-2.0mm
2	2.5(.098)	5.7(.224)	5.8(.228)	9.6(.378)	9.8(.386)	10.0(.394)
3	5.0(.197)	8.2(.323)	8.3(.327)	12.1(.476)	12.3(.484)	12.5(.492)
4	7.5(.295)	10.7(.421)	10.8(.425)	14.6(.575)	14.8(.583)	15.0(.591)
5	10.0(.394)	13.2(.519)	13.3(.524)	17.1(.673)	17.3(.681)	17.5(.689)
6	12.5(.492)	15.7(.618)	15.8(.622)	19.6(.772)	19.8(.780)	20.0(.787)
7	15.0(.591)	18.2(.717)	18.3(.720)	22.1(.870)	22.3(.878)	22.5(.886)
8	17.5(.689)	20.7(.815)	20.8(.819)	24.6(.969)	24.8(.976)	25.0(.984)
9	20.0(.787)	23.2(.913)	23.3(.917)	27.1(1.067)	27.3(1.075)	27.5(1.083)
10	22.5(.886)	25.7(1.021)	25.8(1.016)	29.6(1.165)	29.8(1.173)	30.0(1.181)
11	25.0(.984)	28.2(1.110)	28.3(1.114)	32.1(1.264)	32.3(1.272)	32.5(1.280)
12	27.5(1.083)	30.7(1.209)	30.8(1.213)	34.6(1.362)	34.8(1.370)	35.0(1.378)



Wire Range	Insulation Diameter	Reel Qty
AWG #22-#28	1.70 (.064) MAX.	7,000 PCS.



Ordering Code

1 CP06 **2** 12 **3** S **4** 001 **5** 0

- ① Series No.
 - ② No. of Circuits: 02 to 12
 - ③ Type: S = Receptacle
 - ④ Color: 001 = Color Black
 - ⑤ Other Options: 0 = Standard
- *Special options consult manufacturer

1 CP06 **2** T02 **3** 1 **4** B **5** E **6** S

- ① Series No.
- ② Wire Range: T02 = AWG #22 ~ #28
- ③ Plating: 1 = Tin over Nickel
- ④ Material: B = Brass
- ⑤ Plating method: E = Pre-tinned
- ⑥ Style: S = Receptacle Terminal