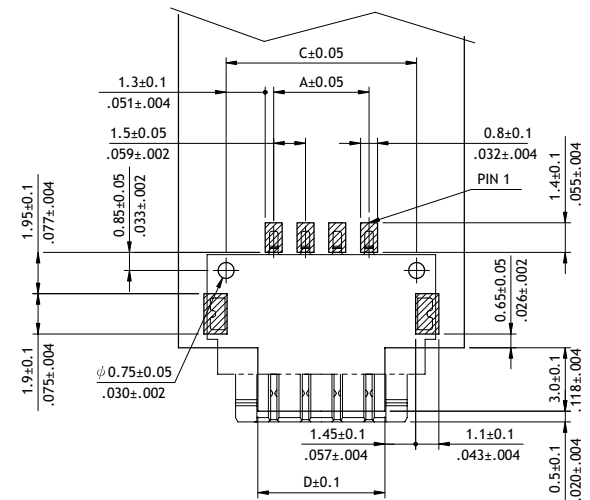
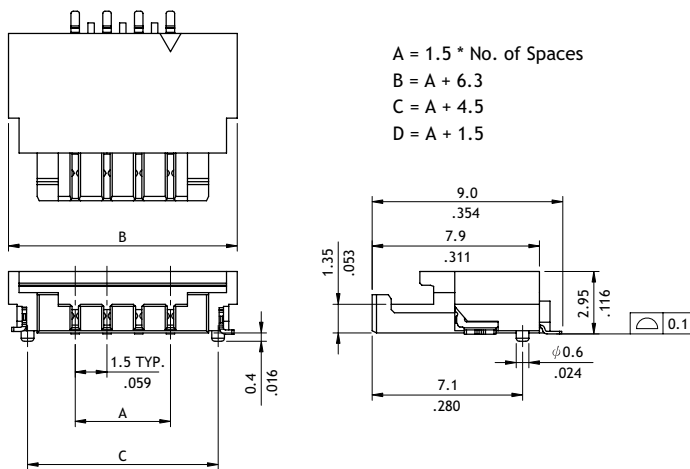
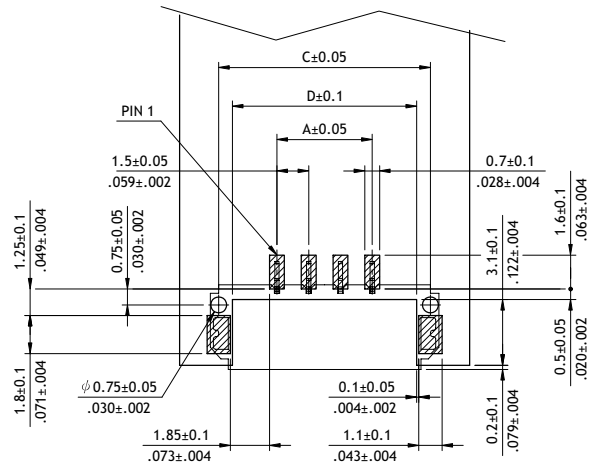
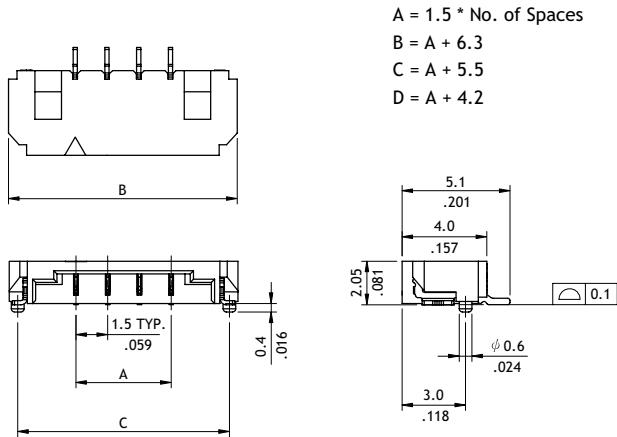
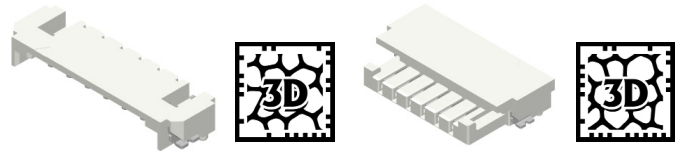


CP15 Series 1.50mm(.069") SMT Headers

NEW

- With more height, width and enhanced structure
- Simplify manufacturing procedure
- Reduce the Cost
- Insulator: High temperature plastic UL 94V-0
- With metal fixed tabs to secure connector in place

RoHS Compliant



Ordering Code

1 2 3 4 5 6 7 8
CP15 04 M 1 S R B - NH

- | | | |
|--|--|---|
| <p>1 Series No.</p> <p>2 No. of Circuits: 02 to 10
(Available in 03, 04 pin)
*Circuits not found above,
please consult manufacturer</p> <p>3 M = SMT Type</p> | <p>4 Plating:
1 = Matte Tin over Nickel</p> <p>5 Type: P = Plug
S = Receptacle</p> <p>6 Packing Options:
P = Tape & Reel (LCP)
R = Tape & Reel (PA6T)</p> | <p>7 Other Options:
A = Omitted pin No.2 (3 pin)
B = Full of pin
*Special option consult manufacturer</p> <p>8 -NH = For Lead Free soldering process and
Halogen-Free</p> |
|--|--|---|