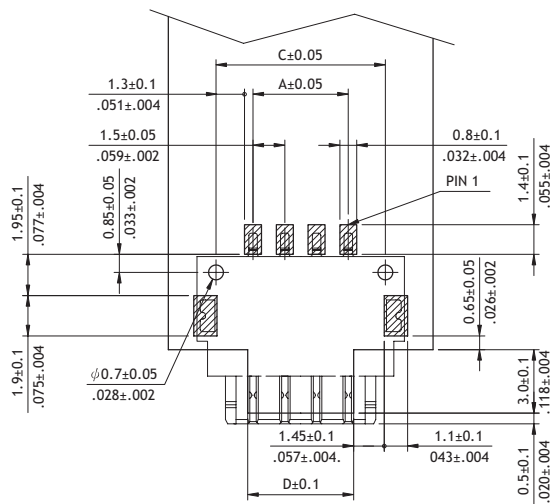
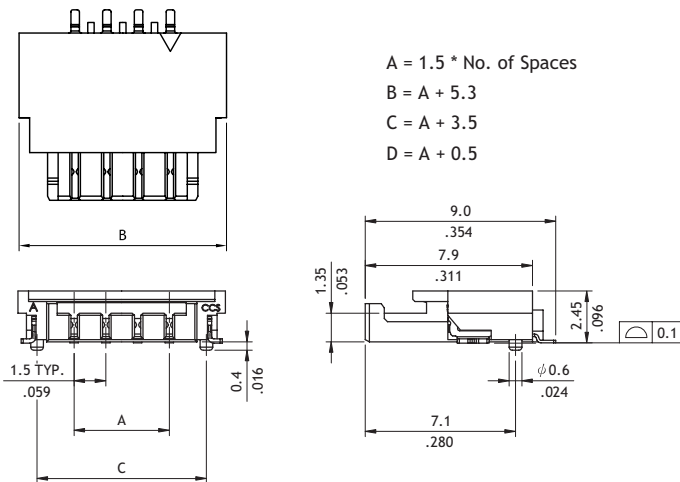
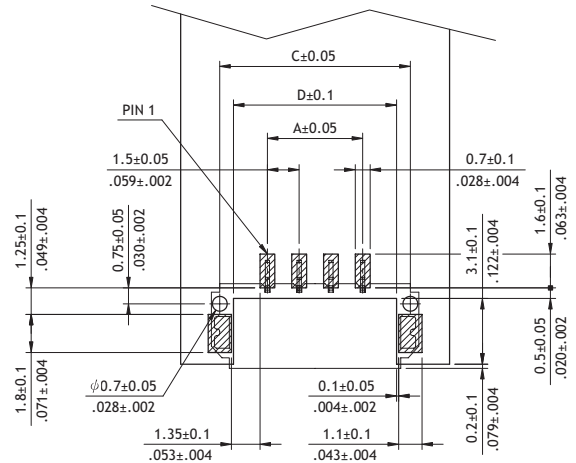
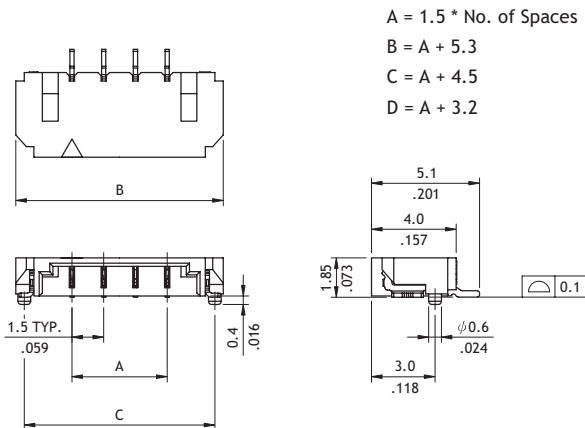
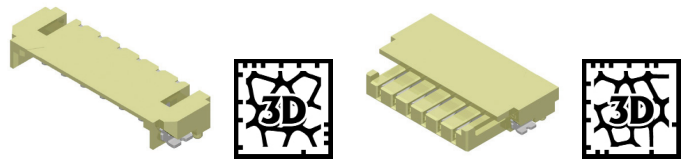


**CP15 Series 1.50mm(.069") SMT Headers**

- Simplify manufacturing procedure
- Reduce the Cost
- Insulator: High temperature plastic UL 94V-0
- With metal fixed tabs to secure connector in pl



**Ordering Code**

**① CP 15 ② 04 ③ M ④ 1 ⑤ S ⑥ R ⑦ 0 - ⑧ NH**

- ①** Series No.
- ②** No. of Circuits: 02 to 10 (Available in 03, 04 pin)  
\*Circuits not found above, please consult manufacturer
- ③** M = SMT Type
- ④** Plating:  
1 = Matte Tin over Nickel
- ⑤** Type: P = Plug  
S = Receptacle
- ⑥** Packing Options:  
R = Tape & Reel (PA6T)
- ⑦** Other Options:  
0 = Standard  
1 = Omitted pin No.2 (3 pin)  
\*Special option consult manufacturer
- ⑧** -NH = For Lead Free soldering process and Halogen-Free

CP

POWER CONNECTOR