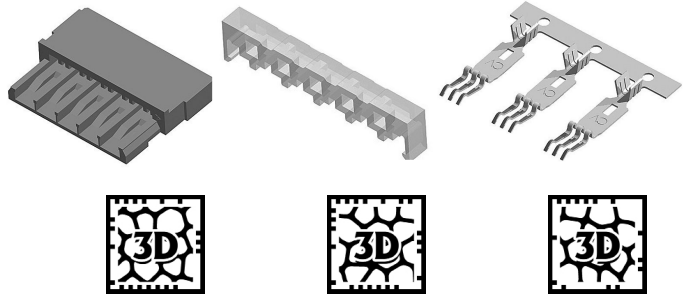
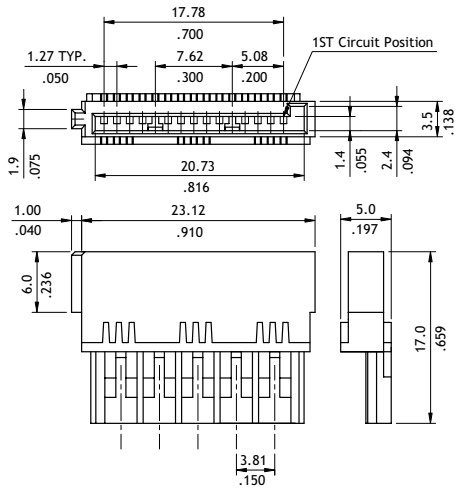


CI94 Series Serial ATA Power Molding Type Receptacle Connectors

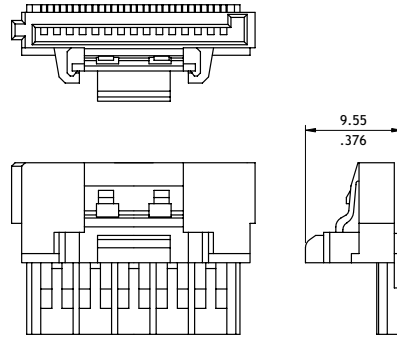
- ⊙ Crimp Type for Molding process
- ⊙ Meet Serial ATA Specification
- ⊙ Connector interface for both 2.5" and 3.5" devices
- ⊙ Supporting power delivery with 12.0V, 5.0V, and 3.3V
- ⊙ Unmating Force more than 2.0Kgf
- ⊙ Insulator: Glass Filled Polyester
- ⊙ Contact: Gold plated Phosphor Bronze



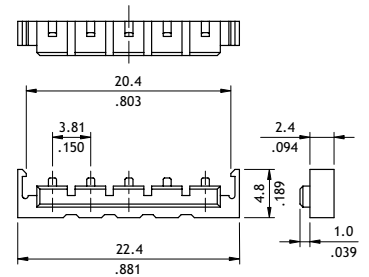
Housing	
P/N	CI94PFM001B



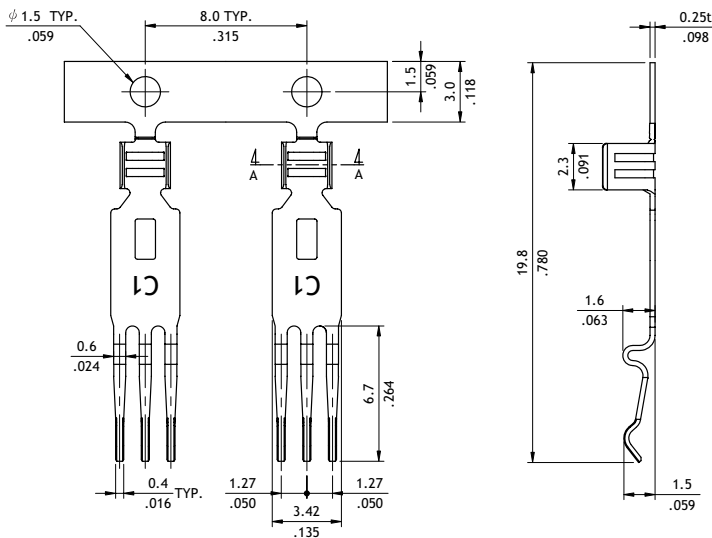
Housing (With Plastic Latch)	
P/N	CI94PFC*1*P-NH



Cover	
P/N	CI94PFM000C

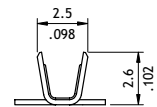


Terminal



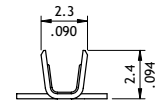
Part No.	Wire Range	Insulation Diameter	Reel Qty
CI94TM3*PP0	AWG #18-#22	2.1 (.083) MAX.	5,000 PCS
CI94TMA*PP0	AWG #18x2-#22x2	2.1 (.083) MAX.	5,000 PCS

P/N: CI94TMA*PP0



SEC.: A-A

P/N: CI94TM3*PP0



SEC.: A-A

