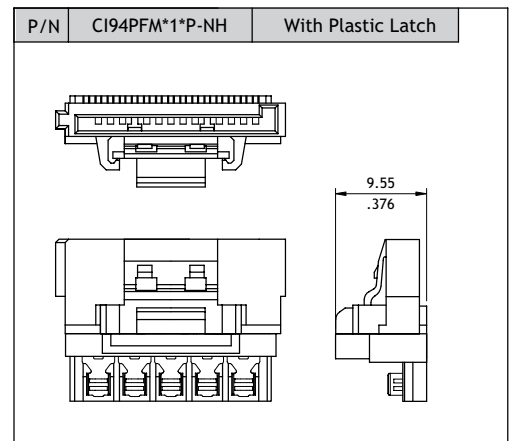
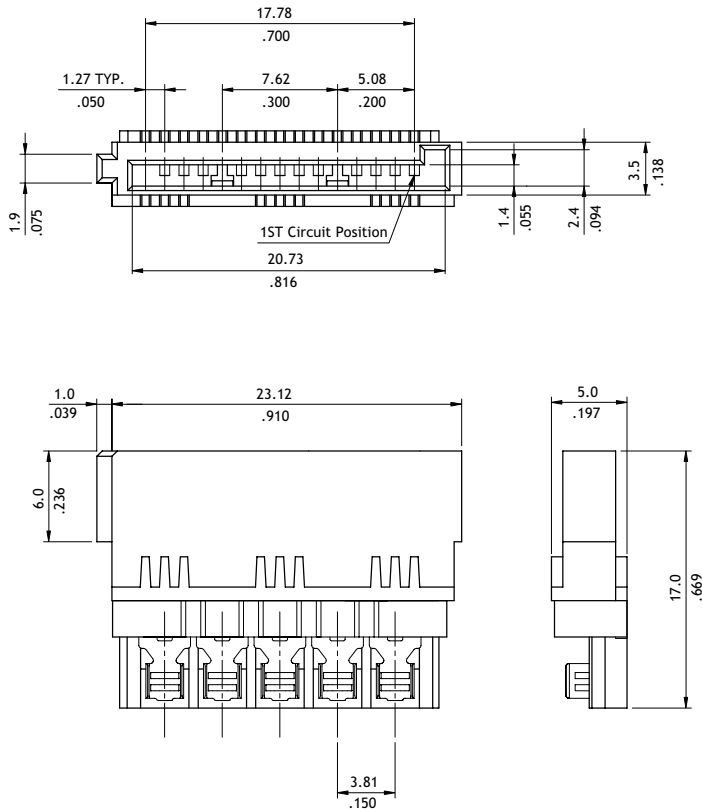
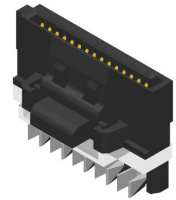
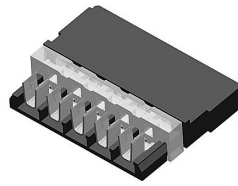


CI94 Series Serial ATA Power Solder Type Receptacle Connectors

- ⊙ Meet Serial ATA Specification
- ⊙ Connector interface for both 2.5" and 3.5" devices
- ⊙ Supporting power delivery with 12.0V, 5.0V, and 3.3V
- ⊙ Insulator: Glass Filled Polyester
- ⊙ Contact: Gold plated Phosphor Bronze



Ordering Code

1 2 3 4 5 6 7 8
CI94 P FM A 1 A 0 - NH

- 1** Series No.
- 2** P = Power
- 3** Type: FM = Female & Solder Type for Molding process
- 4** Plating Code:
A = Selective Gold flash over Nickel
- 5** Color: 1 = Black
- 6** Type: 0 = AWG #18 ~ #22
A = AWG #18*2 ~ #22*2
- 7** Other Options:
0 = Without Latch
P = With Plastic Latch
- 8** -NH = Halogen-Free