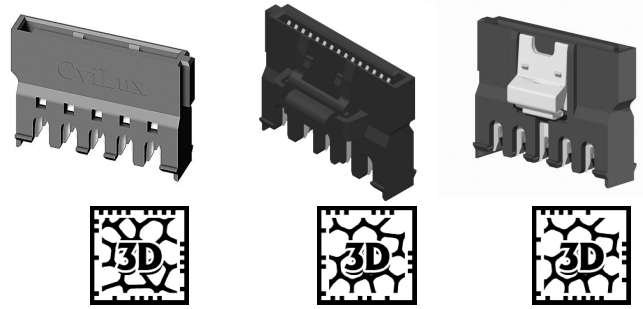


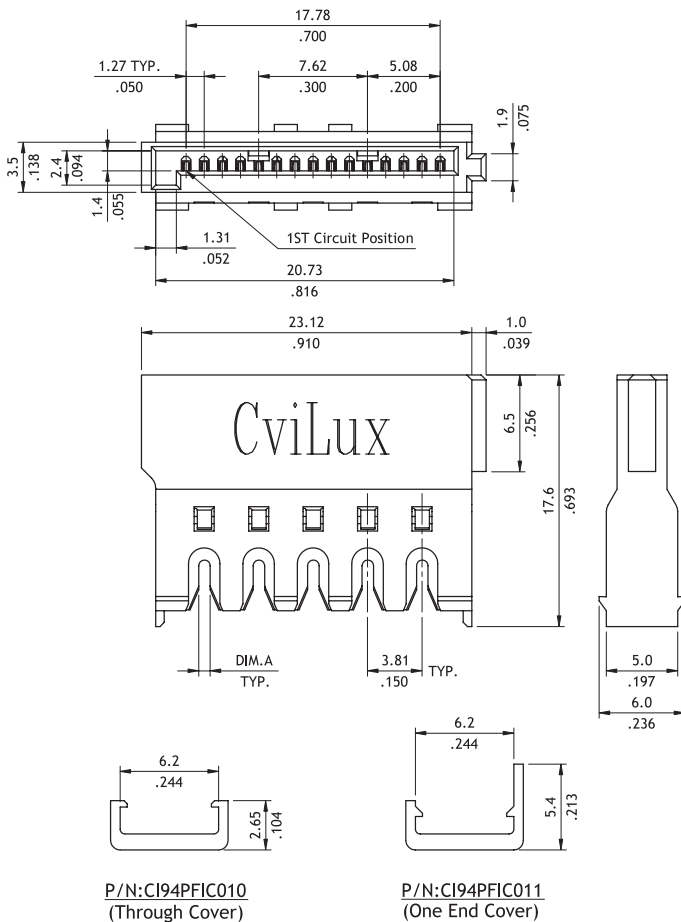
CI94 Series Serial ATA Power IDC Type Receptacle Connectors

- ⊙ Meet Serial ATA Specification
- ⊙ Connector interface for both 2.5" and 3.5" devices
- ⊙ Supporting power delivery with 12.0V, 5.0V, and 3.3V
- ⊙ Insulator: Glass Filled Polyester
- ⊙ Contact: Gold plated Phosphor Bronze

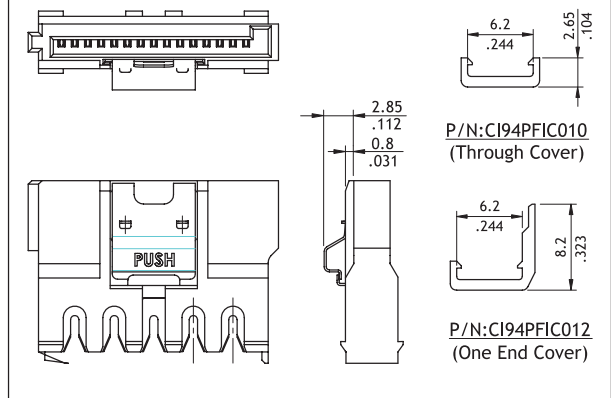


RoHS Compliant

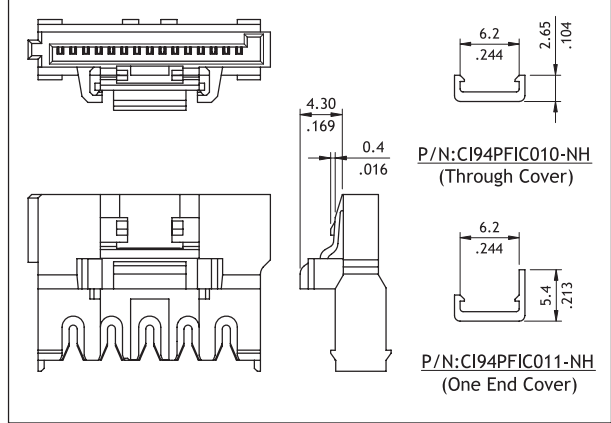
P/N CI94PFI*1*0



P/N CI94PFI*1*L-NH With Metal Latch



P/N CI94PFI*1*P-NH With Plastic Latch



Ordering Code

① CI94 ② P ③ F I ④ A ⑤ 1 ⑥ A ⑦ 0 - ⑧ NH

- ① Series No.
- ② P = Power
- ③ Type: FI = Female & IDC Type
- ④ Plating Code:
A = Selective Gold flash over Nickel
- ⑤ Color: 1 = Black
- ⑥ Type: A = Accept AWG #18 (DIM.A = 0.75mm)
B = Accept AWG #20 ~ #22 (DIM.A = 0.60mm)
- ⑦ Other Options:
0 = Without Latch (Standard)
L = With Metal Latch
P = With Plastic Latch
- ⑧ -NH = Halogen-Free