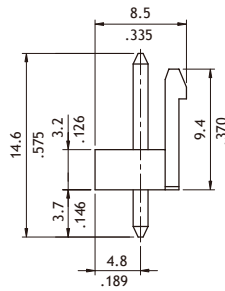
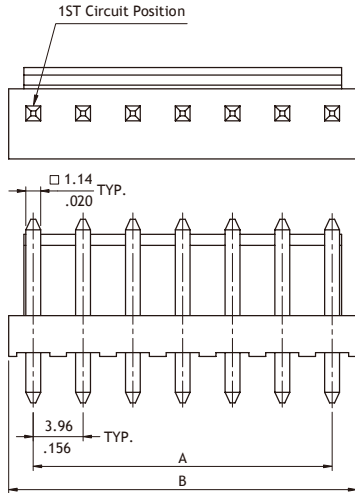
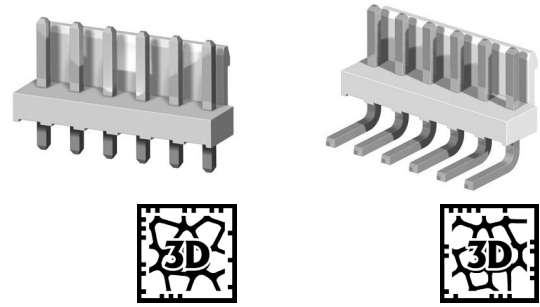
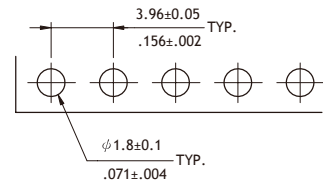
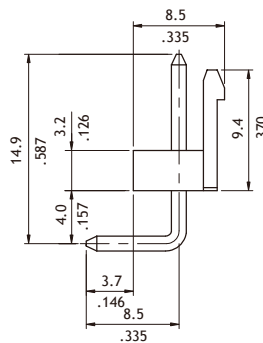
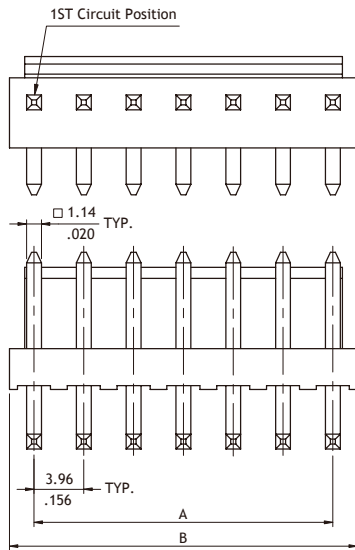


CI52 Series 3.96mm(.156") Wire to Board Connectors DIP Headers

- With locking wall
- Mate with CI52 Housing
- Insulator: Polyamide UL 94V-0, Color Nature
- With Tin plated 1.14mm square pin



Circuits	Dimension	
	A	B
2	3.96(.156)	7.8(.307)
3	7.92(.312)	11.8(.465)
4	11.88(.468)	15.8(.622)
5	15.84(.624)	19.7(.776)
6	19.80(.780)	23.7(.933)
7	23.76(.936)	27.6(1.087)
8	27.72(1.091)	31.6(1.244)
9	31.68(1.247)	35.5(1.398)
10	35.64(1.403)	39.5(1.555)
11	39.60(1.559)	43.5(1.713)
12	43.56(1.715)	47.4(1.866)



Recommended P.C. Board Layout

Ordering Code

1 CI **2** 5 **2** **3** P **4** 1 **5** V **6** 00 - **7** LF

- 1** Series No.
- 2** No. of Circuits: 02 to 12
- 3** P = DIP Header
- 4** Plating Code: 1 = Tin over Nickel
- 5** Type: V = Straight
H = Right Angle
- 6** Other Options:
00 = Standard
*Special options consult manufacturer
- 7** -LF = For Lead Free soldering process