

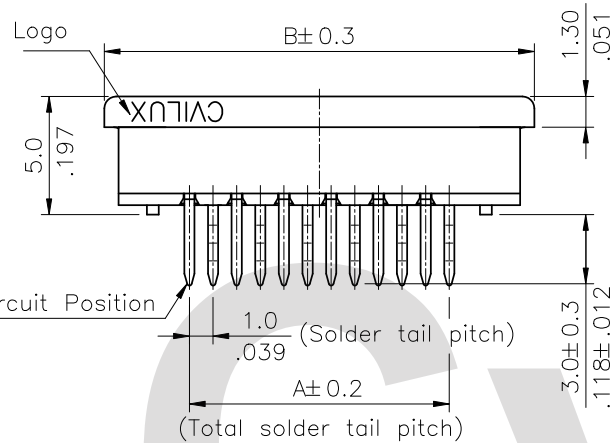
Material:

- * Insulation: Nylon 6T With 30% GF.
UL 94V-0, Color Nature
- * Slider: Nylon 6T With 30% GF.
UL 94V-0, Color Black
- * Contact: Phosphor Bronze

Ordering Code

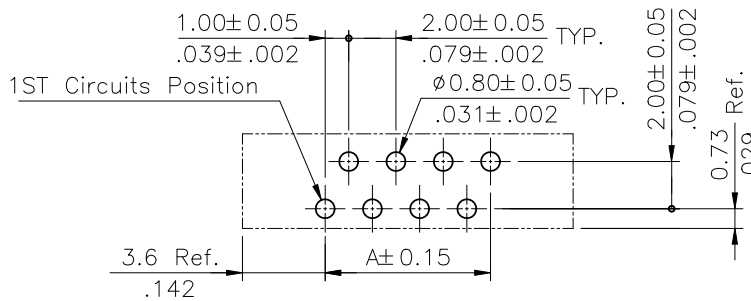
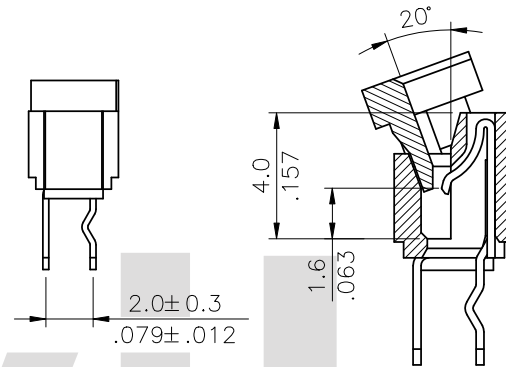
CF10 ** 1 V 0 T 0 -NH
① ② ③ ④ ⑤ ⑥ ⑦ ⑧

- ① Series No.
- ② No. of Circuits
- ③ Plating code:
1 = Tin plated over Nickel
- ④ Contact type: V = Straight DIP type
- ⑤ Insulation Color: 0 = Nature
- ⑥ Packing : T = Tube Packaged
- ⑦ Other option: 0 = Standard
- ⑧ -NH = For Lead Free IR Processes and Halogen-Free

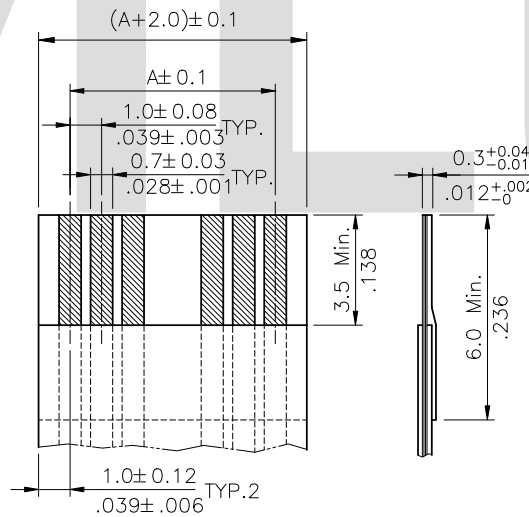


A = 1.00 * No. of Spaces
B = A + 7.2
C = A + 2.1

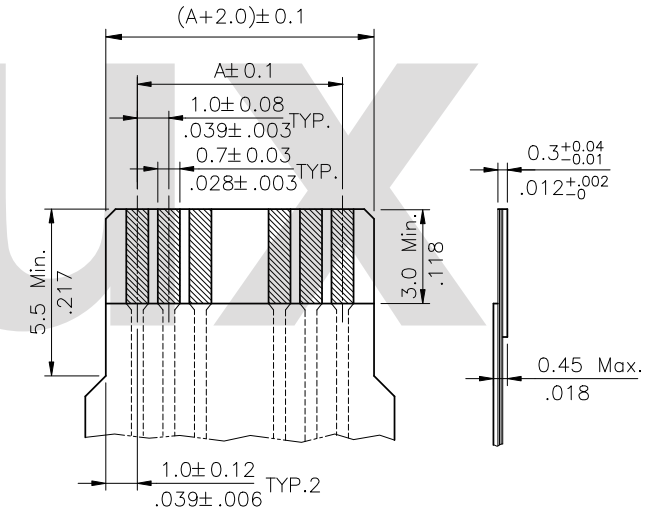
* Available in 4 through 32 circuits



Recommended P.C. Board Layout



* ACCOMMODATED FFC



* ACCOMMODATED FPC

Lead Free Process

Halogen-Free

RoHS Compliant

4					DATE	UNIT: mm / inch	TITLE: 1.00mm(.039") ST. DIP TYPE ZIF FFC/FPC CONNECTOR
3					DRAWN BY: Karen	5/7-09'	TOLERANCE UNLESS OTHERWISE SPECIFIED
2					ENGINEER: Eisley	5/15-09'	
1					CHECKED BY: Eisley	5/15-09'	MATERIAL:
SYM	NAME	DATE	REVISIONS	APPROVED BY: Alex	5/15-09'	.XX ± 0.10/.004	.X' ± 1'
						.XXX ± 0.05/.002	.XX ±

CIVILUX CORP
2009.05.19
ISSUED



瀚荃股份有限公司
CviLux Corporation

DRAWING NO.	CF1006SA	PART NO.	CF10**1V0T0-NH
SCALE	3 / 1	SHEET	1 OF 1