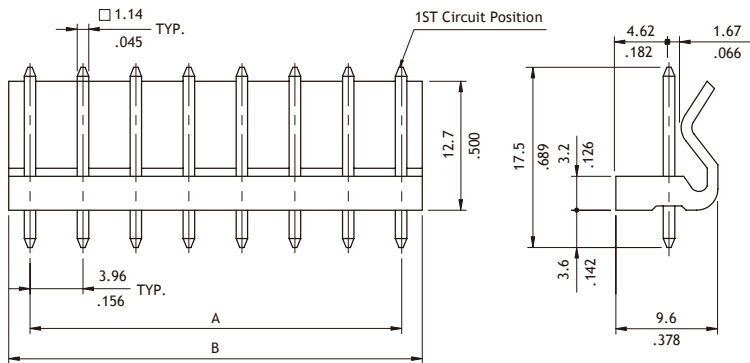
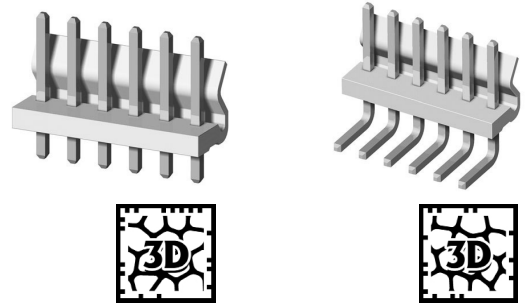
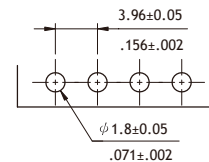
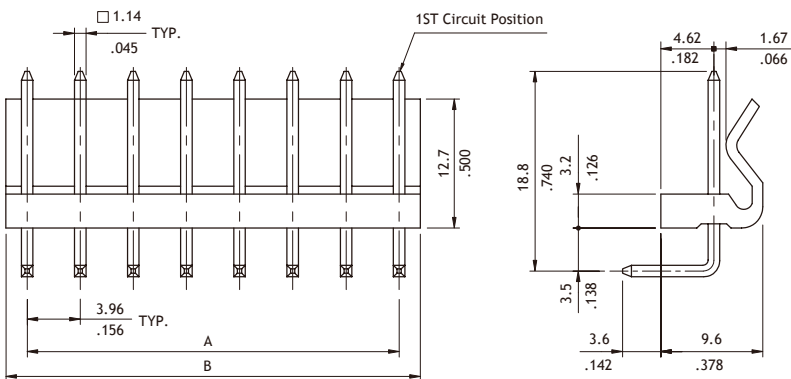


CI51 Series 3.96mm(.156") Wire to Board Connectors DIP Headers

- With locking wall
- Mate with CI51 Housing
- Insulator: Nylon 66 UL 94V-2, Color Nature
- With Tin plated 1.14mm square pin



Circuits	Dimension	
	A	B
2	3.96(.156)	7.92(.312)
3	7.92(.312)	11.88(.468)
4	11.88(.468)	15.84(.624)
5	15.84(.624)	19.8(.780)
6	19.80(.780)	23.76(.935)
7	23.76(.935)	27.72(1.091)
8	27.72(1.091)	31.68(1.247)
9	31.68(1.247)	35.64(1.403)
10	35.64(1.403)	39.6(1.559)
11	39.60(1.559)	43.56(1.715)
12	43.56(1.715)	47.52(1.871)
13	47.52(1.871)	51.48(2.027)
14	51.48(2.027)	55.44(2.183)
15	55.44(2.183)	59.4(2.339)
16	59.40(2.339)	63.36(2.494)
17	63.36(2.494)	67.32(2.650)
18	67.32(2.650)	71.28(2.806)
19	71.28(2.806)	75.24(2.962)
20	75.24(2.962)	79.2(3.118)



Recommended P.C. Board Layout

Ordering Code

① CI 51 ② 20 ③ P ④ 1 ⑤ V ⑥ 00

- ① Series No.
- ② No. of Circuits: 02 to 20
- ③ P = DIP Header
- ④ Plating Code:
1 = Tin over Nickel
- ⑤ Type: V = Straight
H = Right Angle
- ⑥ Other Options:
00 = Standard
*Special options consult manufacturer