

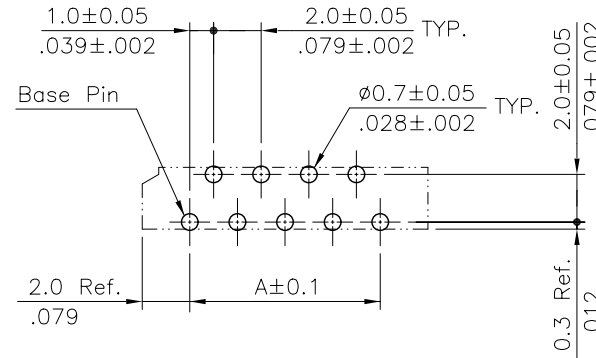
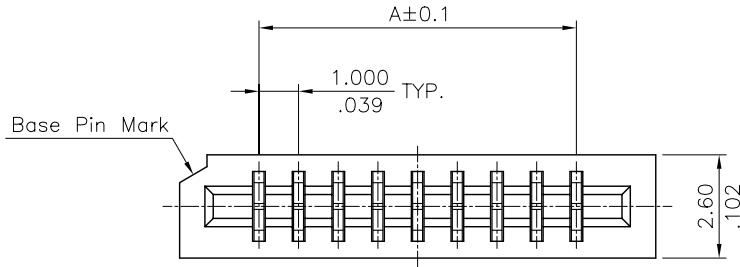
MATERIAL:

- * Body: Glass Filled Nylon 6T UL 94V-0
- * Contact : Phosphor Bronze

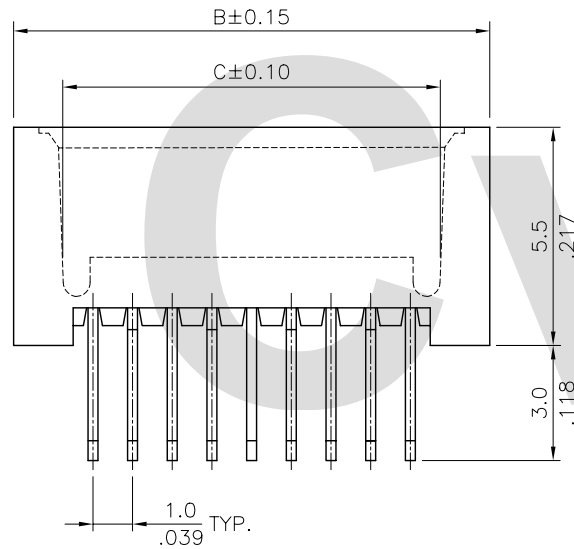
Ordering Code

CF09 ** 1 V 2 00 -LF
 ① ② ③ ④ ⑤ ⑥ ⑦

- ① Series No.
- ② No. of Circuits
- ③ Plating code:
1 = Tin plated over Nickel
(Matte Tin Finish)
- ④ Contact style: V= Top entry
- ⑤ Color: 2= Brown
- ⑥ Options: 00= Standard
- ⑦ Other option:
-LF= For Lead Free IR Processes

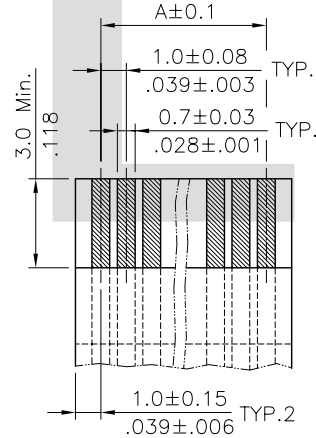
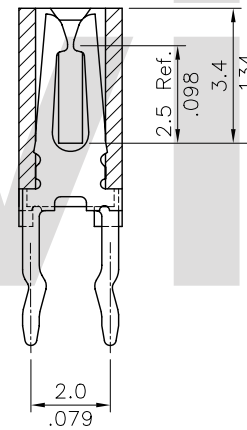


Recommended P.C. Board Layout

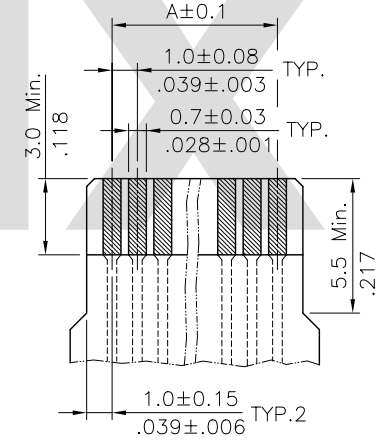
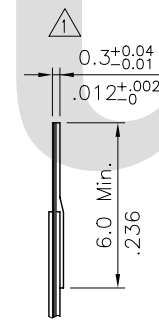


A = 1.00 * No. of Spaces
 B = A + 4.0
 C = A + 2.1

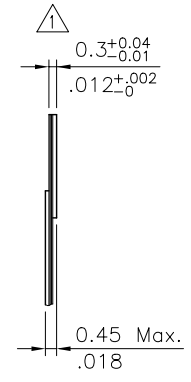
* Available in 4 through 32 circuits



Accommodated FFC



Accommodated FPC



Lead Free Process

RoHS Compliant

④																					
③																					
②																					
①	Sandy	9/22-07'	ECN07381/ECR07065-1																		
SYM	NAME	DATE	REVISIONS																		

CVILUX CORP.
2007.10.02
ISSUED

DRAWN BY: Sandy
 ENGINEER: Easley
 CHECKED BY: David
 APPROVED BY: Alex

DATE: 9/22-07'
 9/28-07'
 9/28-07'
 9/28-07'

UNIT: mm / inch
 TOLERANCE UNLESS OTHERWISE SPECIFIED
 .X ± 0.15/.006 X' ± 1'
 .XX ± 0.10/.004 .X' ±
 .XXX ± 0.05/.002 .XX' ±

TITLE: 1.0mm(.039") DIP TYPE LIF FPC/FCC CONNECTOR
 MATERIAL:
 FINISH:
 DRAWING NO. CF0911SB PART NO. CF09**1V200-LF
 SCALE 5 / 1 SHEET 1 OF 1



瀚荃股份有限公司
 CviLux Corporation