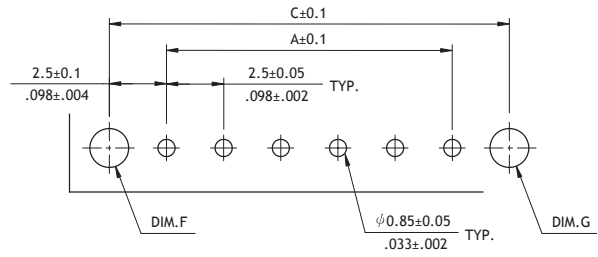
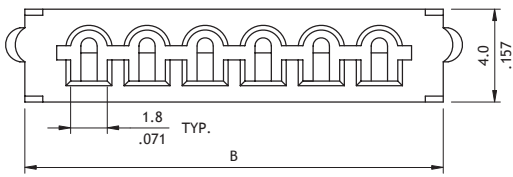
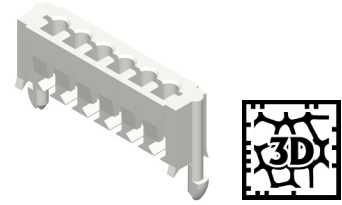
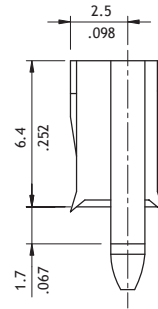
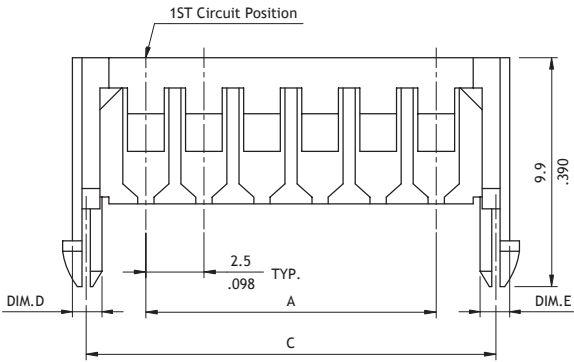


**CI91 Series 2.50mm(.098") Straight Wire Holder Connectors**

- Low cost
- With retaining PCB pegs
- Insulator: Nylon 66 UL 94V-0, Color Nature
- Accommodated AWG #24 ~ #26 cables



Recommended P.C. Board Layout



A = 2.5 \* No. of Spaces  
 B = A + 5.3  
 C = A + 5.0

ACCOMMODATED WIRE SIZE: AWG#24-#26
Stripped Flat Cable
P/N: CI91**SA00*

**Ordering Code**

**① CI 91    ② 06    ③ SA    ④ 000**

- ① Series No.
- ② No. of Circuits: 03, 06
- ③ Connector Style:  
SA = For Stripped Flat Cable

- ④ Other Options:  
000 = D = 1.60, E = 1.60,  
F = 1.75, G = 1.75