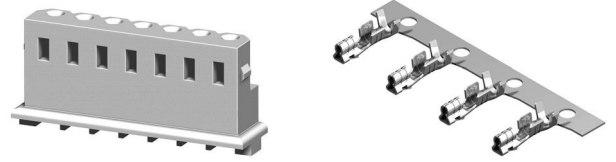
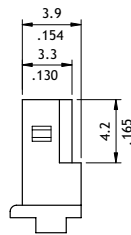
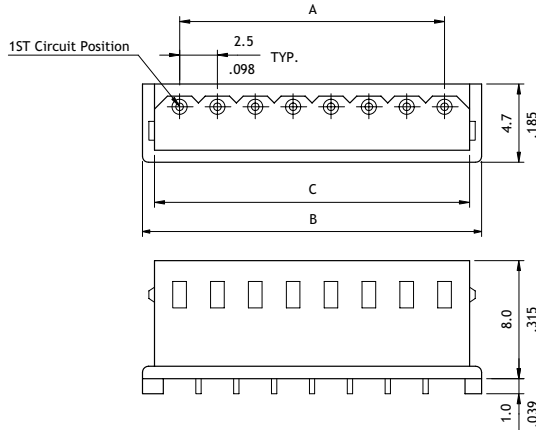


CI25 Series 2.50mm(.098") Wire to Board Connectors Housing & Terminal

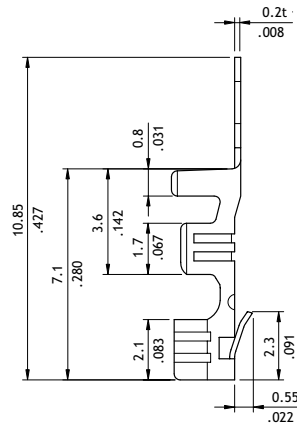
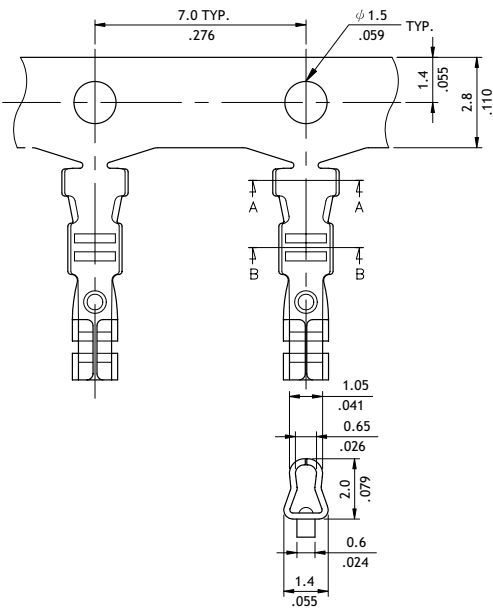
- Low profile with locking ribs
- Mate with CI25 Housing
- Can be used CI25 Crimp Clip Terminal
- Terminal accommodated AWG #22~ #28
- Insulator: Nylon 66 UL 94V-2, Color Ivory
- Terminal: Tin plated Phosphor Bronze



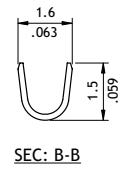
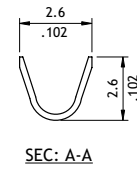
RoHS Compliant



Circuits	Dimension		
	A	B	C
2	2.5(.098)	7.4(.291)	5.8(.228)
3	5.0(.197)	9.9(.390)	8.3(.327)
4	7.5(.295)	12.4(.488)	10.8(.425)
5	10.0(.394)	14.9(.587)	13.3(.524)
6	12.5(.492)	17.4(.685)	15.8(.622)
7	15.0(.591)	19.9(.783)	18.3(.720)
8	17.5(.689)	22.4(.882)	20.8(.819)
9	20.0(.787)	24.9(.980)	23.3(.917)
10	22.5(.886)	27.4(1.079)	25.8(1.016)
11	25.0(.984)	29.9(1.177)	28.3(1.114)
12	27.5(1.083)	32.4(1.276)	30.8(1.213)
13	30.0(1.181)	34.9(1.374)	33.3(1.311)
14	32.5(1.280)	37.4(1.472)	35.8(1.409)
15	35.0(1.378)	39.9(1.571)	38.3(1.508)



Wire Range	Insulation Diameter	Reel Q'ty
AWG #22-#28	1.6 (.063) MAX.	10,000 PCS.



Ordering Code

1 CI25 **2** 15 **3** S **4** 0000

- 1 Series No.
- 2 No. of Circuits: 02 to 15
- 3 S = Housing
- 4 Other Options:
0000 = Standard
*Special options consult manufacturer

1 CI25 **2** T02 **3** 1 **4** P **5** E **6** 0

- 1 Series No.
- 2 Type: T02 = AWG #22 ~ #28
- 3 Plating Code: 1 = Tin over Nickel
- 4 Material: P = Phosphor Bronze
- 5 Plating Method: E = Pre-tinned
- 6 Other Options: 0 = Standard