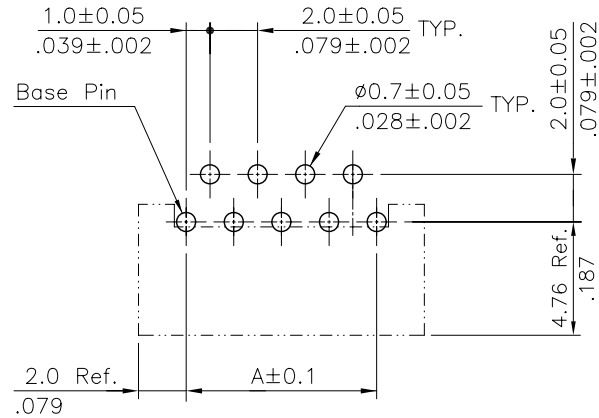
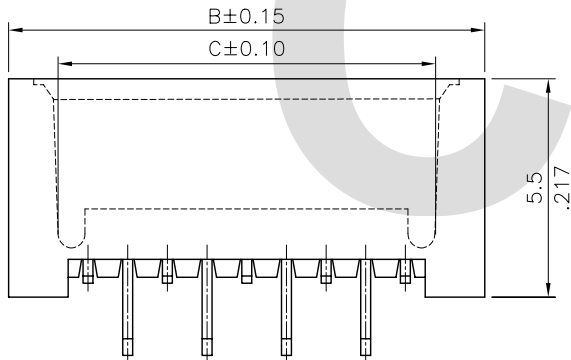


C±0.03

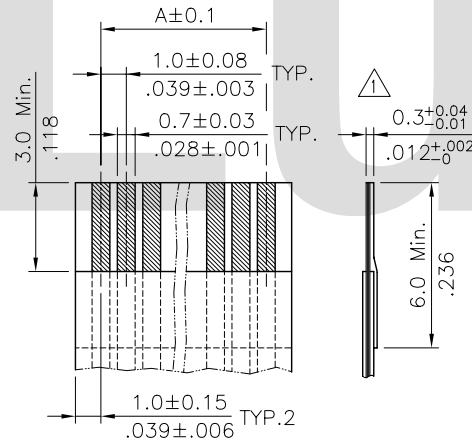
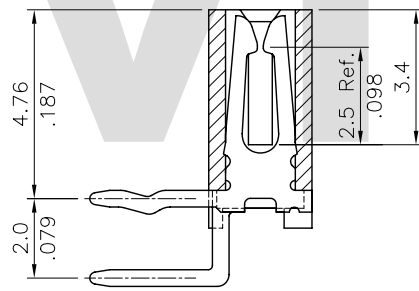


Recommended P.C. Board Layout

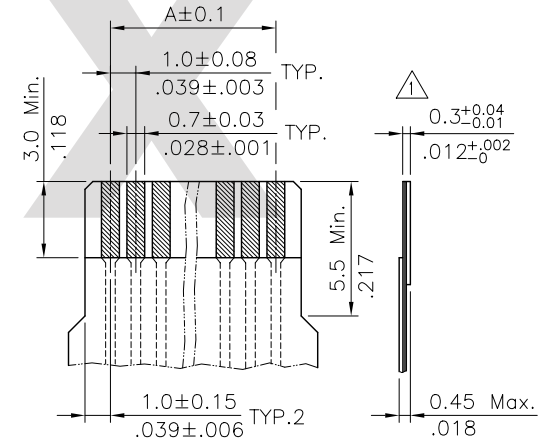


A = 1.00 * No. of Spaces
 B = A + 4.0
 C = A + 2.1

* Available in 4 through 32 circuits



Accommodated FFC



Accommodated FPC

MATERIAL:

- * Body: Glass Filled Nylon 6T UL 94V-0
- * Contact : Phosphor Bronze

Ordering Code

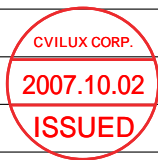
CF09 ** 1 H 2 00 -LF
 ① ② ③ ④ ⑤ ⑥ ⑦

- ① Series No.
- ② No. of Circuits
- ③ Plating code:
 1 = Matte Tin plated over Nickel
- ④ Contact style: H= Side entry
- ⑤ Color: 2= Brown
- ⑥ Other options: 00= Standard
- ⑦ -LF= For Lead Free IR Process

Lead Free Process

RoHS compliant

④					DATE	UNIT: mm / inch	TITLE: 1.0mm(.039") R/A DIP TYPE
③					DRAWN BY: Sandy	TOLERANCE UNLESS OTHERWISE SPECIFIED	LIF FPC/FFC CONNECTOR
②					ENGINEER: Easley	.X ± 0.15/.006 X' ± 1'	MATERIAL:
①	Sandy	9/22-07'	ECN07381/ECR07065-1		CHECKED BY: David	.XX ± 0.10/.004 X' ±	FINISH:
SYM	NAME	DATE	REVISIONS		APPROVED BY: Alex	.XXX ± 0.05/.002 X' ±	



瀚荃股份有限公司
 CviLux Corporation

DRAWING NO.	CF0910SB	PART NO.	CF09**1H200-LF
SCALE	5 / 1	SHEET	1 OF 1