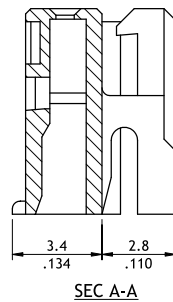
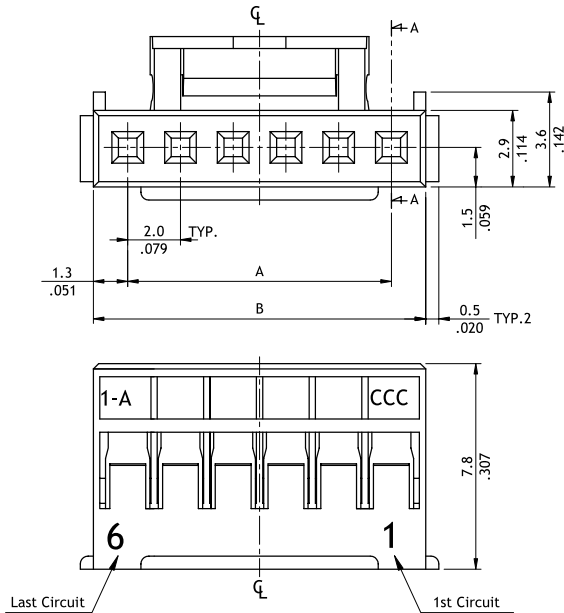
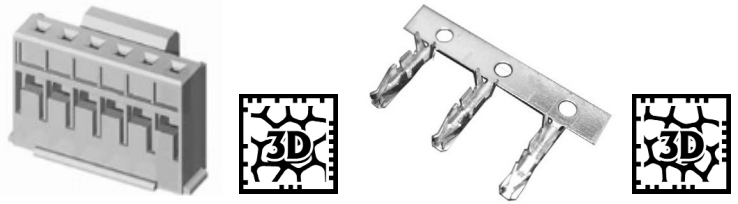
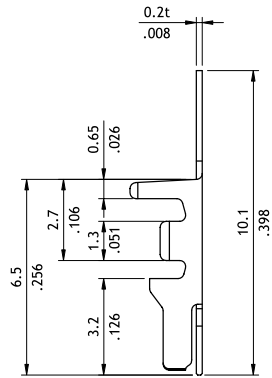
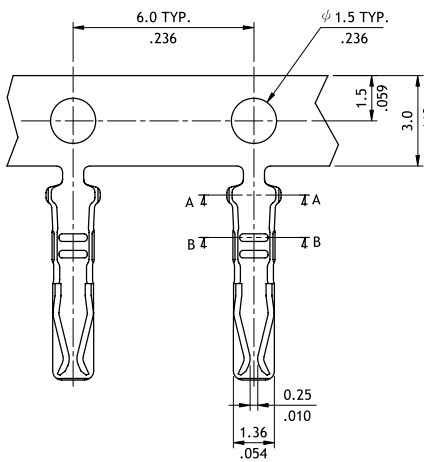


CI06 Series 2.00mm(.079") Wire to Board Connectors Housing & Terminal

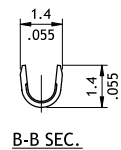
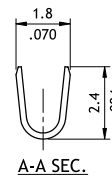
- With locking latch provides secure mating
- Mate with CI06 Header
- Can be used CI06 Crimp Clip Terminal
- Insulator: Nylon 66 UL 94V-0, Color Nature



Circuits	Dimension	
	A	B
2	2.0(.079)	4.6(.181)
3	4.0(.157)	6.6(.260)
4	6.0(.236)	8.6(.339)
5	8.0(.315)	10.6(.417)
6	10.0(.394)	12.6(.496)
7	12.0(.472)	14.6(.575)
8	14.0(.551)	16.6(.654)
9	16.0(.630)	18.6(.732)
10	18.0(.709)	20.6(.811)
11	20.0(.787)	22.6(.890)
12	22.0(.866)	24.6(.969)
13	24.0(.945)	26.6(1.047)
14	26.0(1.024)	28.6(1.126)
15	28.0(1.102)	30.6(1.205)
16	30.0(1.181)	32.6(1.283)



Wire Range	Insulation Diameter	Reel Qty
AWG #24-#30	0.80 Min. (.031) 1.45 MAX. (.057)	10,000 PCS.



Ordering Code

1 CI06 **2** 16 **3** S **4** 0000

- ① Series No.
- ② No. of Circuits: 02 to 16
- ③ S = Housing
- ④ Other Options:
0000 = Standard
*Special options consult manufacturer

1 CI06 **2** T01 **3** 1 **4** P **5** E **6** 0

- ① Series No.
- ② Type: T01 = AWG #24 ~ #30
- ③ Plating Code: 1 = Tin over Nickel
- ④ Material: P = Phosphor Bronze
- ⑤ Plating Method: E = Pre-tinned
- ⑥ Other Options: 0 = Standard