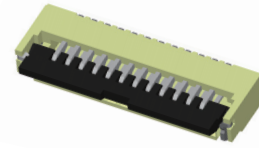
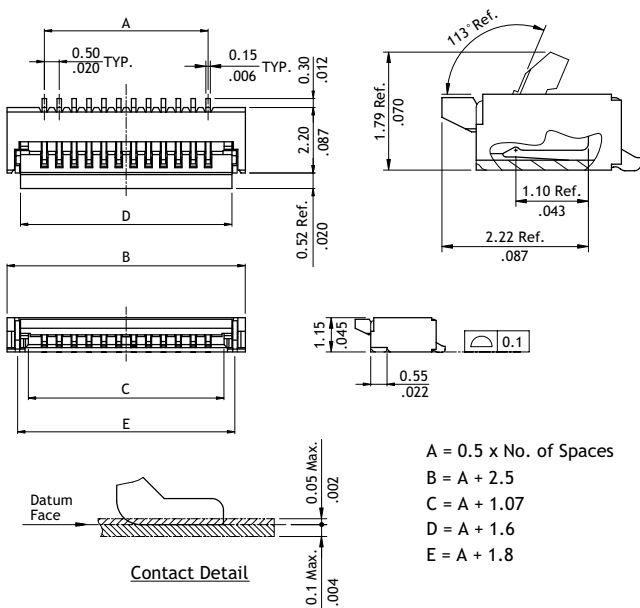


CF29 Series 0.50mm(.020")H=1.15 SMT ZIF One-Touch FFC/FPC Connectors

- ⊙ 1.15mm above the board
- ⊙ FFC/FPC zero insertion force and high retention force
- ⊙ Insulation: High temperature plastic UL 94V-0, Color Nature
- ⊙ Cover: High temperature plastic UL 94V-0, Color Black
- ⊙ Actuator designed easy for FFC/FPC installation and reliable operation
- ⊙ With metal fixed tabs to secure connector in place

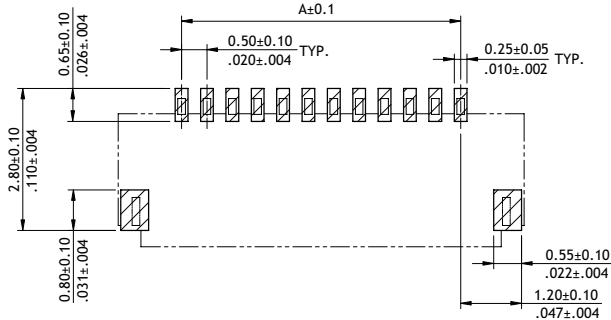


Circuits: 4-39

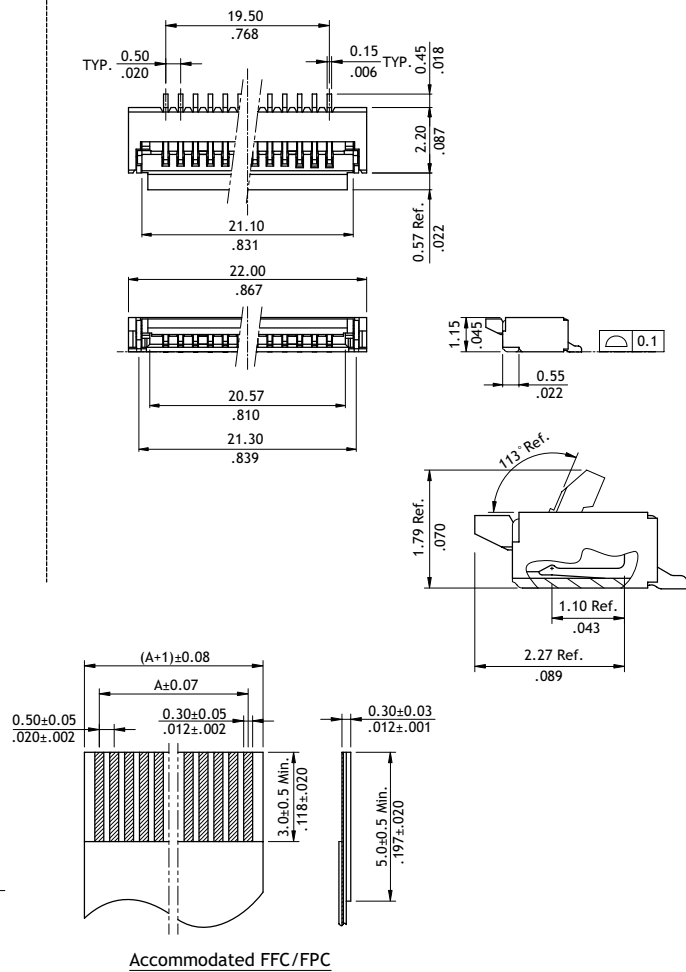


A = 0.5 x No. of Spaces
 B = A + 2.5
 C = A + 1.07
 D = A + 1.6
 E = A + 1.8

Recommended P.C. Board Layout



Circuits: 40



Accommodated FFC/FPC

Ordering Code

① CF **②** 29 **③** 14 **④** 2 **⑤** D **⑥** 0 **⑦** R 0 - **⑧** NH

- ①** Series No.
- ②** No. of Circuits: 04 to 40 (Available: 8,10,12,14,40)
Circuits not found above please consult manufacturer
- ③** Plating Code:
2 = Gold flash over Nickel
- ④** Contact Style:
D = Downside Contact
- ⑤** Color: 0 = Nature
- ⑥** Packing:
R = Tape & Reel
- ⑦** Other Options:
0 = Standard
*Special options consult manufacturer
- ⑧** -NH = For Lead Free IR process and Halogen-Free