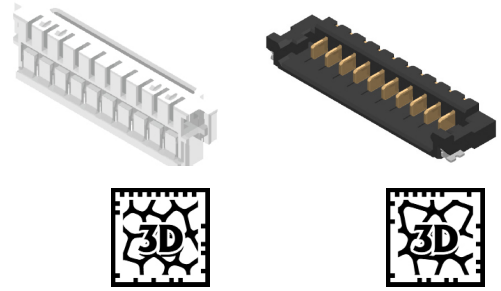


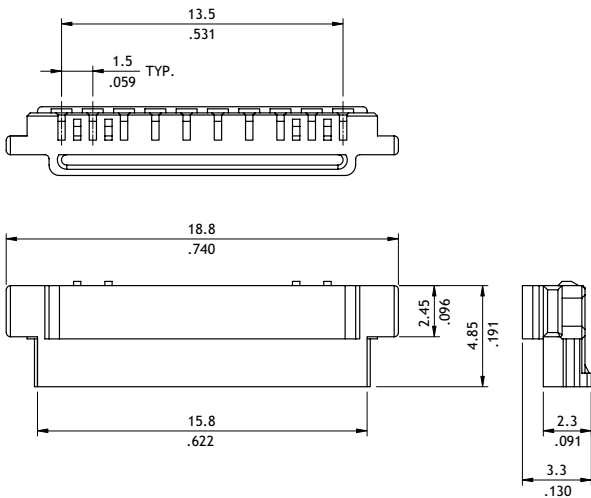
CI87 Series 1.50mm(.059") Wire to Board Housing & Terminal & SMT Header

- ⊙ Locking slots provide secure mating
- ⊙ Fixed tabs provide PCB hold-down and strain-relief for SMT tails
- ⊙ Insulator: High temperature plastic UL 94V-0, Color Black (Header)
- ⊙ Insulation: Polyamide UL 94V-0, Color Nature (Housing)

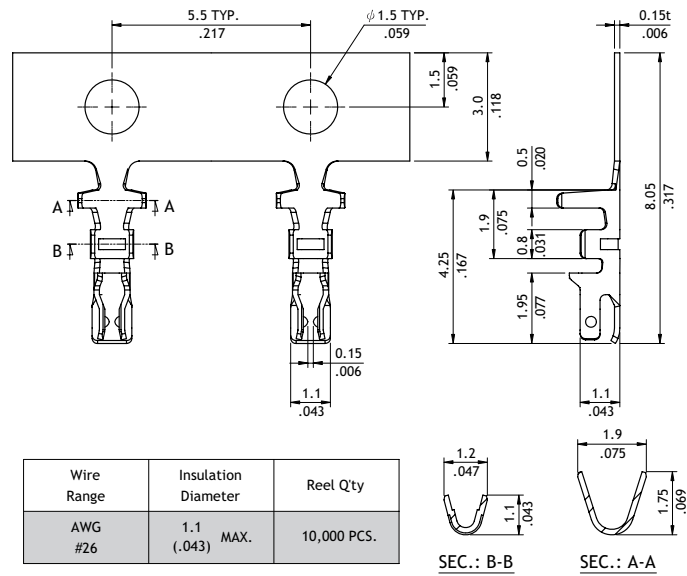
RoHS Compliant



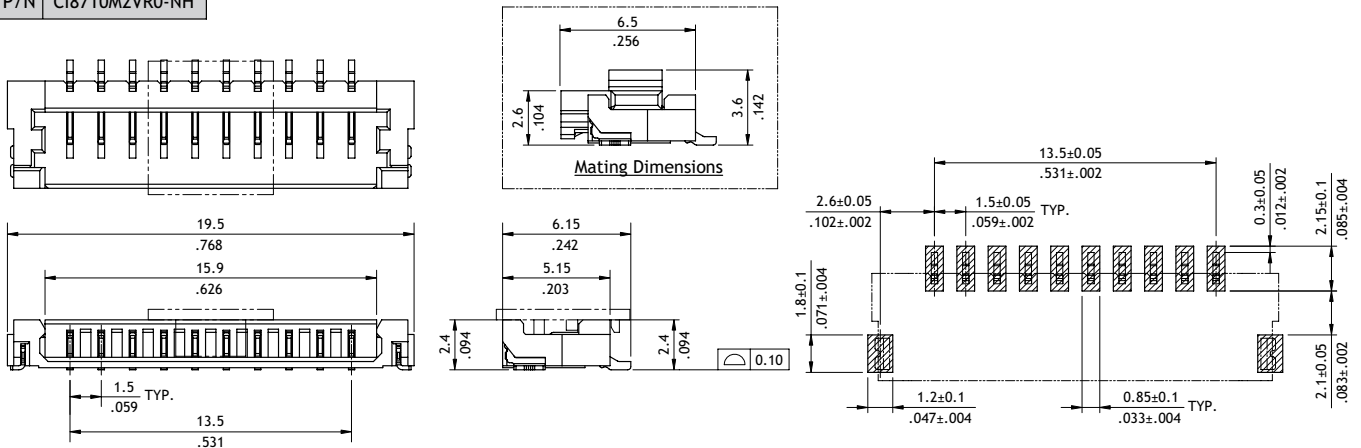
P/N CI8710S0000



P/N CI87T012PP0



P/N CI8710M2VR0-NH



Ordering Code

1 **2** **3** **4**
CI87 10 S 0000

- 1** Series No.
- 2** No. of Circuits: 10
- 3** S = Housing
- 4** Other Options: 0000 = Standard

1 **2** **3** **4** **5** **6** **7** **8**
CI87 10 M 2 VR 0 - NH

- 1** Series No.
- 2** No. of Circuits: 10
- 3** M = SMT Type
- 4** Plating Code:
2 = Gold plated over Nickel
- 5** Type: V = Top Entry
- 6** Packing Options:
R = Tape & Reel
- 7** Other Options: 0 = Standard
- 8** -NH = For Lead Free IR process and Halogen-Free