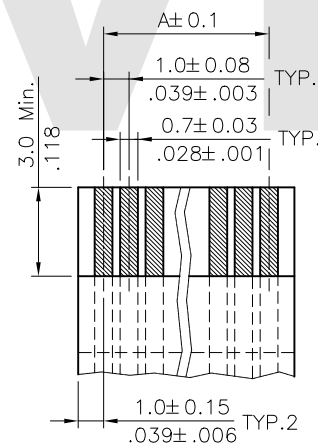
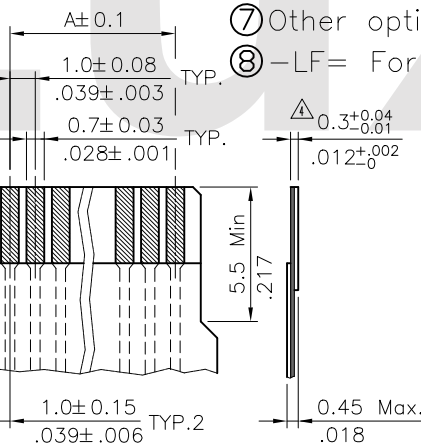
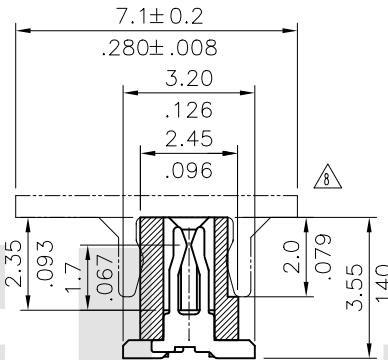


Sold Pad Pattern



Accommodated FFC



Accommodated FPC

A = 1.0 * No. of Spaces
 B = A + 3.3
 C = A + 2.1
 * Available in 4 through 32 circuits

Note :

1. Material :
 - * Body : Nylon 6T With 30% GF. UL 94-0 Color Black
 - * Contact : Copper alloy
2. For Lead Free IR Reflow Process

Ordering Code

CF08 ** 1 M 1 * 0 -LF
 ① ② ③ ④ ⑤ ⑥ ⑦ ⑧

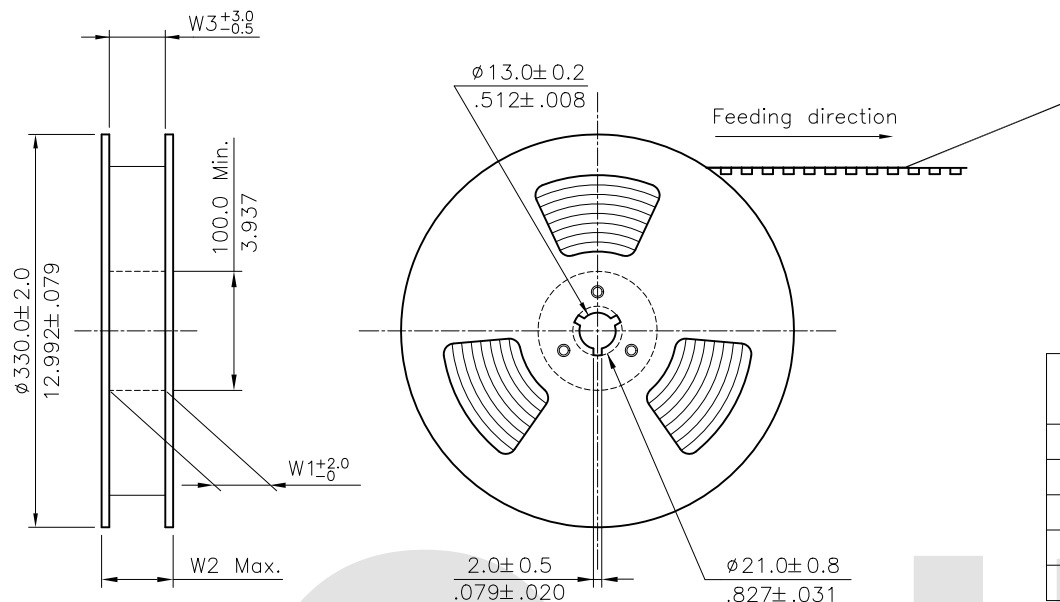
- ① Series No.
- ② No. of Circuits
- ③ Plating code:
 - 1 = 3.05μm(120μ") Min. Matte Tin over 1.27μm(50μ") Nickel
- ④ Contact style: M= Straight SMT Type
- ⑤ Color: 1= Black
- ⑥ Packing options:
 - T= Tube Packing(Without PAD)
 - R= Tape & Reel Packing(With PAD)
- ⑦ Other options: 0= Standard
- ⑧ -LF= For Lead Free IR Reflow Process

Lead Free Process

RoHS Compliant

CVILUX CORP
 2016.06.16
 ISSUED

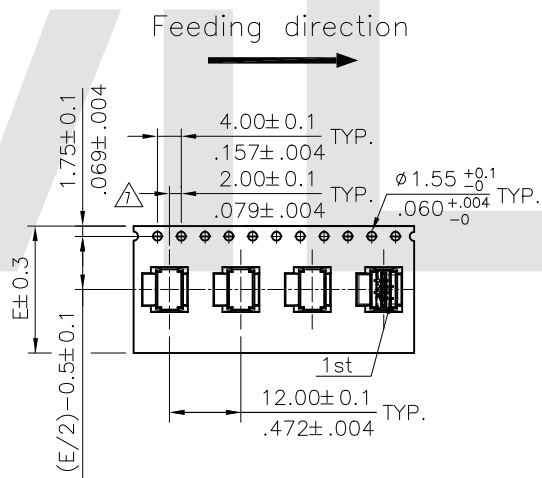
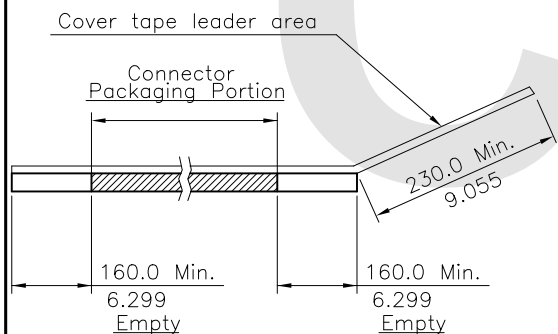
⑧	Sandy	6/14-16'	ECRB116027/ECNT116108	DATE	UNIT: mm / inch	TITLE: 1.00mm ST. SMT TYPE LIF FFC/FPC CONN.	瀚荃股份有限公司 CviLux Corporation	
⑦	Sun	1/18-16'	ECRB115071/ECNT116004	DRAWN BY: Sandy	TOLERANCE UNLESS OTHERWISE SPECIFIED	MATERIAL:		
⑥	Karen	6/04-12'	ECN12095-0/ECR12033-1	ENGINEER: Sun	.X ± 0.15/.006 .X' ± 1'	FINISH:		
⑤	Karen	11/09-09'	ECN09535	CHECKED BY: Eisley	.XX ± 0.10/.004 .X' ±	DRAWING NO. CF0816SI		
SYM	NAME	DATE	REVISIONS	APPROVED BY: Eisley	.XXX ± 0.05/.002 .XX' ±	PART NO. CF08**1M1*0-LF		
							SCALE 5 / 1	SHEET 1 OF 2



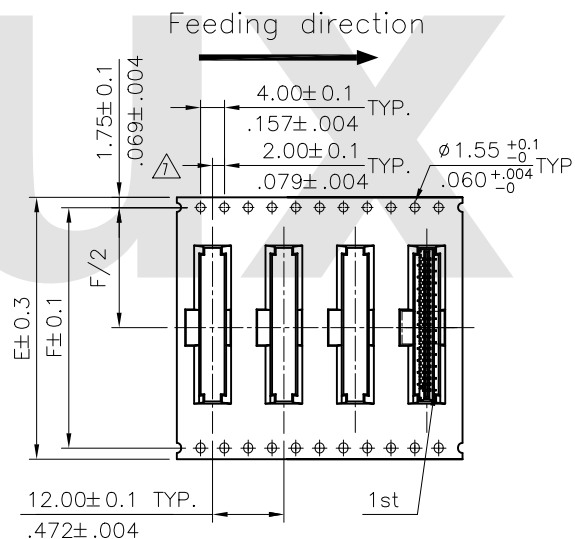
NOTE :

- * Reel Material : Corrugated Paper
- * Carrier Material : Clear Conductive Polystyrene Alloy
- * Cover Tape Material : Polyester
- * Cover Tape Peel Strength : 0.1N – 1.3N
- * Carrier camber is within 1mm in 100mm
- * All dimensions meet EIA-481-2 & EIA-481-3 requirements.
- * Quantity : 1200 PCS/Reel

Circuits	Dimension					Packing (Reel/Carton)
	E	F	W1	W2	W3	
4~5	16.0(.630)	-	16.5(.650)	22.5(.886)	16.5(.650)	11
6~15	24.0(.945)	-	24.5(.965)	30.5(1.201)	24.5(.965)	9
16~17	32.0(1.260)	28.40(1.118)	32.5(1.280)	38.5(1.516)	32.5(1.280)	7
18~30	44.0(1.732)	40.40(1.591)	44.5(1.752)	50.5(1.988)	44.5(1.752)	5
31~32	56.0(2.205)	52.40(2.063)	56.5(2.224)	62.5(2.460)	56.5(2.224)	4



WIDTH : 16, 24mm Carrier



WIDTH : 32, 44, 56mm Carrier



RoHS Compliant

SYM	NAME	DATE	REVISIONS	APPROVED BY:	DATE	UNIT: mm / inch	TITLE: 1.00mm ST. SMT TYPE LIF FFC/FPC CONN.	MATERIAL:	CUSTOMER:	DRAWING NO. CF0816SI	PART NO. CF08**1M1*0-LF	SHEET 2 OF 2
8	Sandy	6/14-16'	ECRB116027/ECNT116108									
7	Sun	1/18-16'	ECRB115071/ECNT116004	DRAWN BY:	Sandy	6/14-16'	TOLERANCE UNLESS OTHERWISE SPECIFIED					
6	Karen	6/04-12'	ECN12095-0/ECR12033-1	ENGINEER:	Sun	6/15-16'	.X ±	X' ± "				
5	Karen	11/09-09'	ECN09535	CHECKED BY:	Eisley	6/16-16'	.XX ±	.X ±				
				APPROVED BY:	Eisley	6/16-16'	.XXX ±	.XX ±				

