

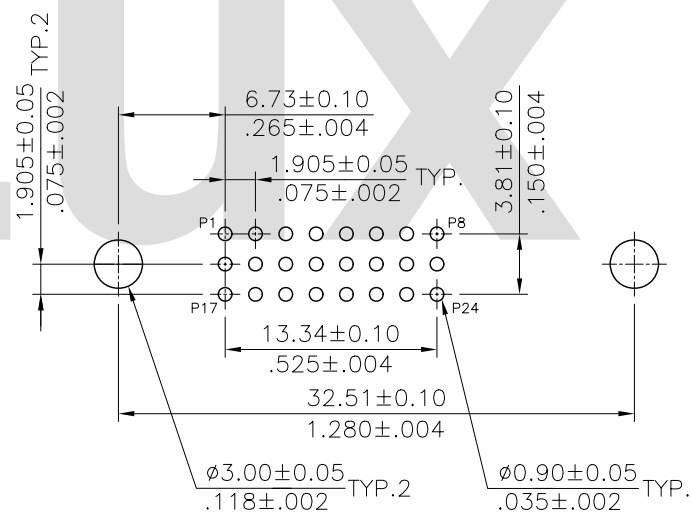
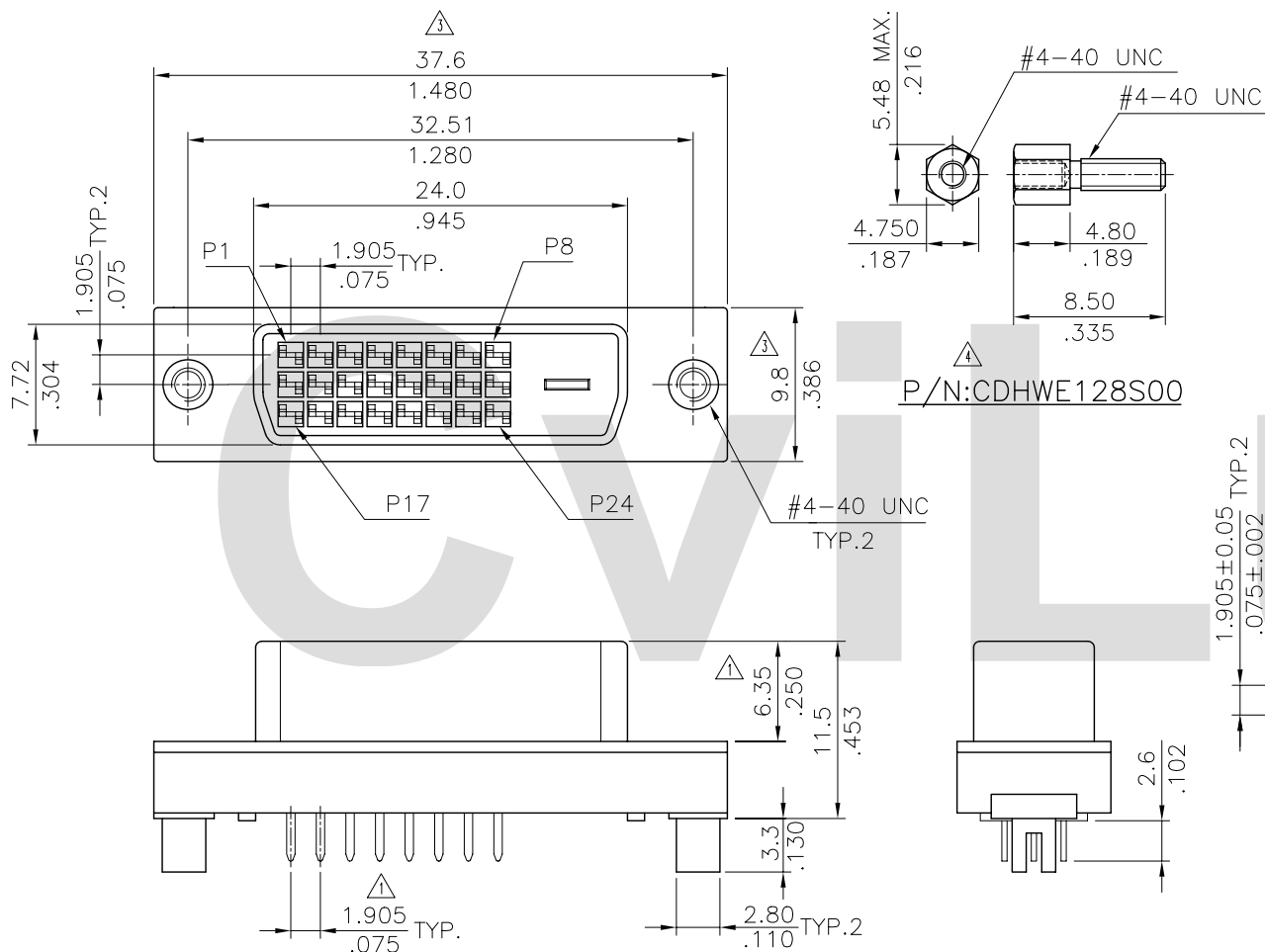
Materials:

- * Insulator: Glass filled PBT UL 94V-0
Color Ivory(Nature)
- * Shell: Zinc alloy with Nickel plated
- * Contact: Brass

Ordering Code:

CU07 24 S * V D G
① ② ③ ④ ⑤ ⑥ ⑦

- ① Series No.
- ② Contacts: 24= 24+Key
- ③ Contact type: S= Socket
- ④ Plating code:
A= Selective Gold flash plated over 1.27μm(50μ") Nickel
B= Selective 0.38μm(15μ") Gold plated over 1.27μm(50μ") Nickel
C= Selective 0.76μm(30μ") Gold plated over 1.27μm(50μ") Nickel
- ⑤ Tail style: V= Straight
- ⑥ Product type: D= Digital Type
- ⑦ Option: G= Attach #4-40 UNC Hex screw



Recommended P.C Board Layout

RoHS Compliant

④	Sandy	1/22-07'	ECN07025			DATE	UNIT: mm / inch	TITLE: DVI STRAIGHT RECEPTOR CONN. (DIGITAL TYPE 24+KEY)		瀚荃股份有限公司 CviLux Corporation			
③	Sandy	11/27/06'	ECN06421		DRAWN BY: Sandy	1/22-07'	TOLERANCE UNLESS OTHERWISE SPECIFIED	MATERIAL:		DRAWING NO. CU0711SF	PART NO.	CU0724S*VDG	
②	SANDY	06/23-04'	ECN04241		ENGINEER: Eisley	1/25-07'	.X ± 0.30/.012 X' ± 1"	FINISH:		SCALE	2 / 1	SHEET	1 OF 1
①	JASON	04/27-04'	ECN04171,ECRO4038-0		CHECKED BY: David	1/25-07'	.XX ± 0.20/.008 .X' ±						
SYM	NAME	DATE	REVISIONS		APPROVED BY: Alex	1/25-07'	.XXX ± 0.10/.004 .XX' ±						