

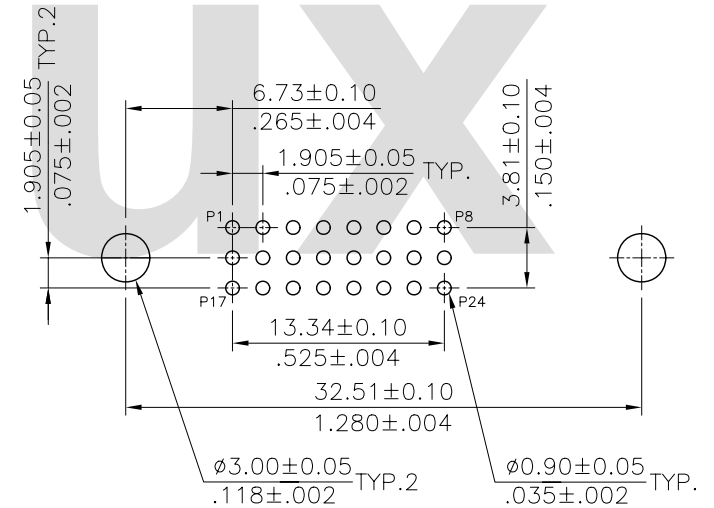
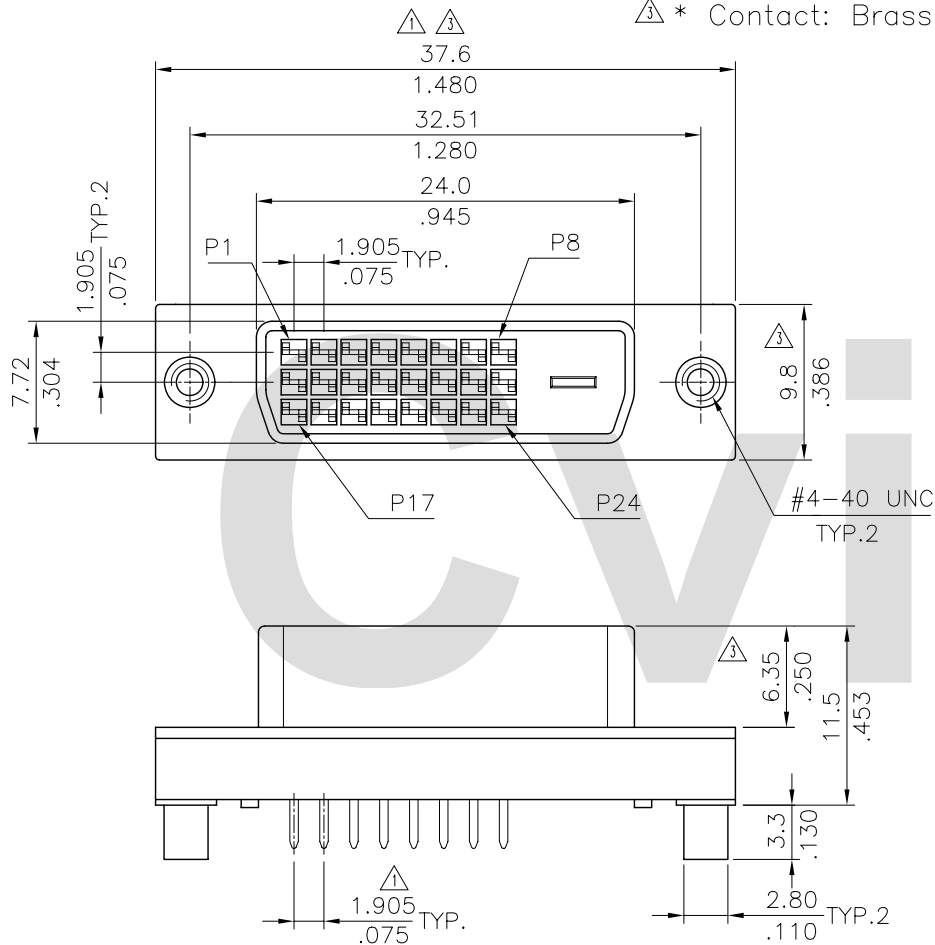
### Ordering Code:

CU07 24 S \* V D F  
 ① ② ③ ④ ⑤ ⑥ ⑦

- ① Series No.
- ② Contacts: 24= 24+Key
- ③ Contact type: S= Socket
- ④ Plating code:  
 A= Selective Gold flash plated over 1.27μm(50μ") Nickel  
 B= Selective 0.38μm(15μ") Gold plated over 1.27μm(50μ") Nickel  
 C= Selective 0.76μm(30μ") Gold plated over 1.27μm(50μ") Nickel
- ⑤ Tail style: V= Straight
- ⑥ Product type: D= Digital Type
- ⑦ Option: F= #4-40 UNC Threaded insert

### Materials:

- \* Insulator: Glass filled PBT UL 94V-0  
 Color Ivory(Nature)
- \* Shell: Zinc alloy with Nickel plated
- △ \* Contact: Brass



Recommended P.C Board Layout

RoHS Compliant

④					DATE	UNIT: mm / inch	TITLE: DVI STRAIGHT RECP. CONN. (DIGITAL TYPE 24+KEY)	瀚荃股份有限公司 CviLux Corporation				
③	Sandy	11/27/06	ECN06421	DRAWN BY:	Sandy	11/24/06'	MATERIAL:				DRAWING NO.	CU0710SD
②	Sun	9/30/05	ECR05067-0/ECN05275	ENGINEER:	Eisley	11/27-06'	TOLERANCE UNLESS OTHERWISE SPECIFIED	SCALE	2 / 1	SHEET	1 OF 1	
①	JASON	04/27-04	ECN04171, ECR04038-0	CHECKED BY:	David	11/27-06'	.X ± 0.30/.012					.X' ± 1'
SYM	NAME	DATE	REVISIONS	APPROVED BY:	Alex	11/27-06'	.XX ± 0.20/.008					.X' ±
							.XXX ± 0.10/.004	.XX' ±				

CIVILUX CORP.  
 2006.12.06  
 ISSUED