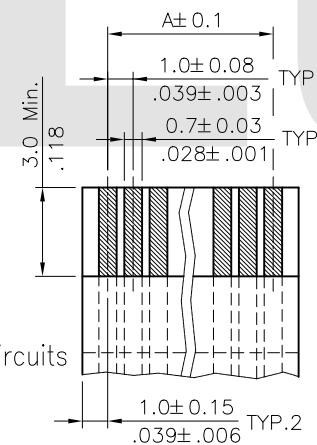
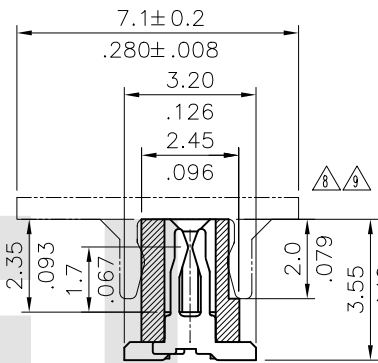
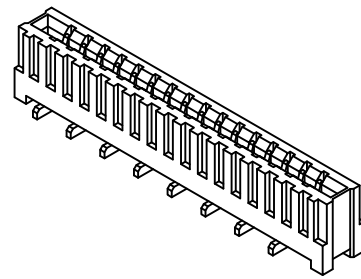


A = 1.0 * No. of Spaces

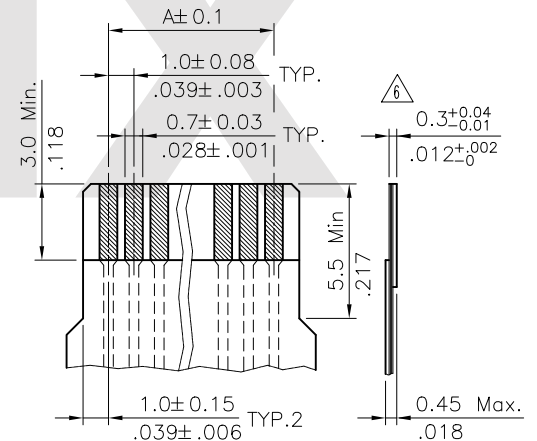
B = A + 3.3

C = A + 2.1

* Available in 4 through 32 circuits



Accommodated FFC



Accommodated FPC

Material :

* Body : Nylon 46 +40% G.F. UL 94V-0

* Contact : Phosphor Bronze

Ordering Code

CF08 ** 1 M 1 R N
① ② ③ ④ ⑤ ⑥ ⑦

① Series No.

② No. of Circuits

③ Plating code:

1= Tin plated over Nickel

④ Contact style: M= Straight SMT Type

⑤ Color: 1= Black

⑥ Packing options: R= Tape & Reel

⑦ Other options: 0= Standard(With Pad)

N= Without Pad

Sold Pad Pattern



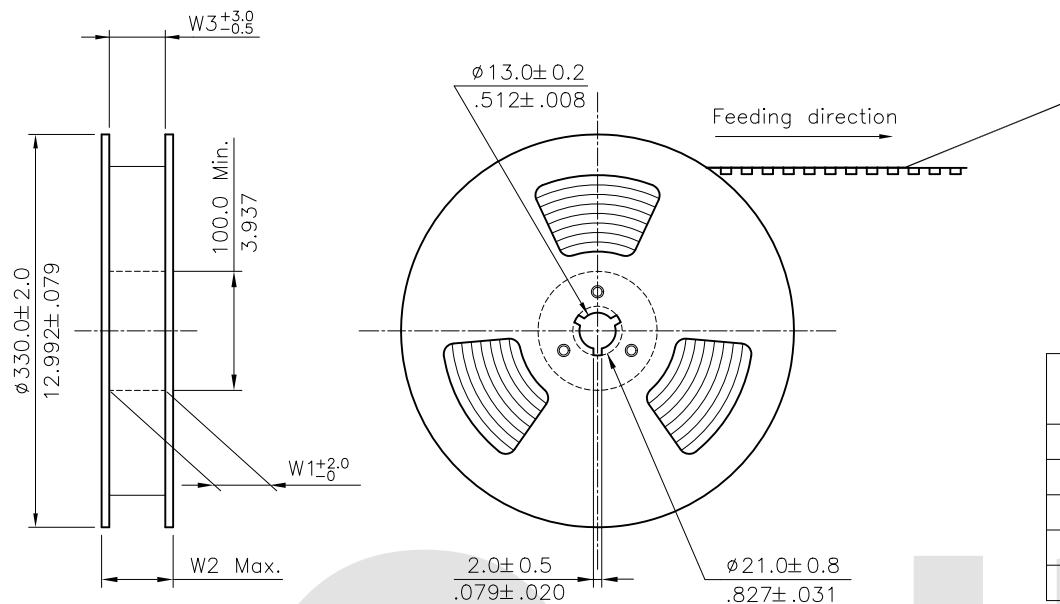
⑨	Sandy	6/14-16'	ECRB116027/ECNT116108		DATE	UNIT: mm / inch	TITLE: 1.00mm ST. SMT TYPE
⑧	Sun	1/18-16'	ECRB115071/ECNT116004	DRAWN BY: Sandy	6/14-16'	TOLERANCE UNLESS OTHERWISE SPECIFIED	LIF FFC/FPC CONN.
⑦	Karen	6/04-12'	ECN12095-0/ECR12033-1	ENGINEER: Sun	6/15-16'		MATERIAL:
⑥	Sandy	9/22-07'	ECN07381/ECR07065-1	CHECKED BY: Eisley	6/16-16'	.X ± 0.15/.006 X' ± .1'	FINISH:
SYM	NAME	DATE	REVISIONS	APPROVED BY: Eisley	6/16-16'	.XX ± 0.10/.004 X' ±	
						.XXX ± 0.05/.002 XX' ±	DRAWING NO. CF0811SJ
							PART NO. CF08**1M1R0
							CF08**1M1RN
							SCALE 5 / 1
							SHEET 1 OF 2

Tin-Lead Process

RoHS compliant



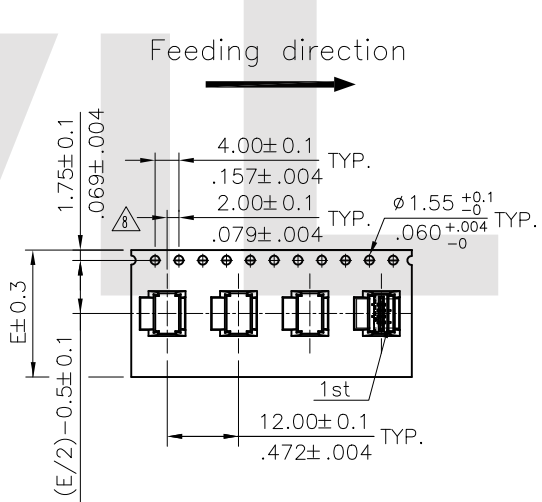
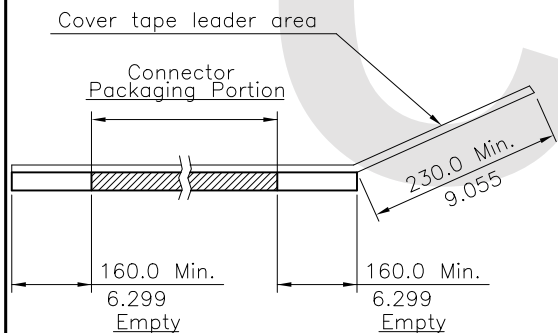
DRAWING NO. CF0811SJ PART NO. CF08**1M1R0
SCALE 5 / 1 SHEET 1 OF 2



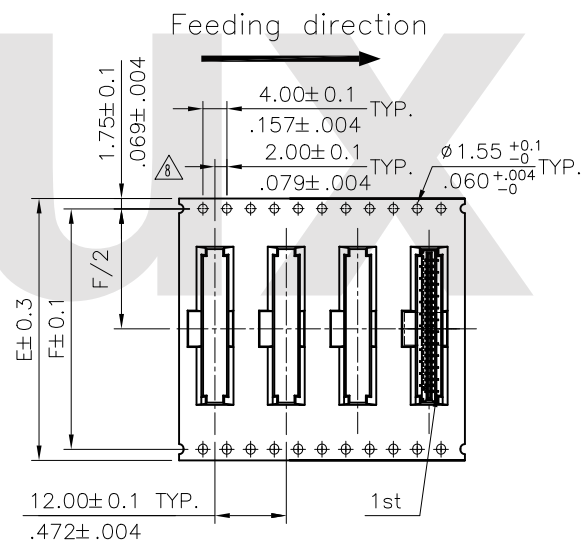
NOTE :

- * Reel Material : Corrugated Paper
- * Carrier Material : Clear Conductive Polystyrene Alloy
- * Cover Tape Material : Polyester
- * Cover Tape Peel Strength : 0.1N – 1.3N
- * Carrier camber is within 1mm in 100mm
- * All dimensions meet EIA-481-2 & EIA-481-3 requirements.
- * Quantity : 1200 PCS/Reel

Circuits	Dimension					Packing (Reel/Carton)
	E	F	W1	W2	W3	
4~5	16.0(.630)	-	16.5(.650)	22.5(.886)	16.5(.650)	11
6~15	24.0(.945)	-	24.5(.965)	30.5(1.201)	24.5(.965)	9
16~17	32.0(1.260)	28.40(1.118)	32.5(1.280)	38.5(1.516)	32.5(1.280)	7
18~30	44.0(1.732)	40.40(1.591)	44.5(1.752)	50.5(1.988)	44.5(1.752)	5
31~32	56.0(2.205)	52.40(2.063)	56.5(2.224)	62.5(2.460)	56.5(2.224)	4



△ WIDTH : 16, 24mm Carrier



△ WIDTH : 32, 44, 56mm Carrier

CIVILUX CORP
2016.06.16
ISSUED

RoHS Compliant

SYM	NAME	DATE	REVISIONS	APPROVED BY:	DATE	UNIT: mm / inch	TITLE: 1.00mm ST. SMT TYPE LIF FFC/FPC CONN.	MATERIAL:	CUSTOMER:	DRAWING NO.	PART NO.	SHEET 2 OF 2
9	Sandy	6/14-16'	ECRB116027/ECNT116108							CF0811SJ	CF08**1M1RO CF08**1M1RN	
8	Sun	1/18-16'	ECRB115071/ECNT116004	DRAWN BY:	Sandy	6/14-16'						
7	Karen	6/04-12'	ECN12095-0/ECR12033-1	ENGINEER:	Sun	6/15-16'						
6	Sandy	9/22-07'	ECN07381/ECR07065-1	CHECKED BY:	Eisley	6/16-16'						
				APPROVED BY:	Eisley	6/16-16'	.X ±	X' ±				
							.XX ±	.X ±				
							.XXX ±	.XX ±				

瀚荃股份有限公司
CviLux Corporation