

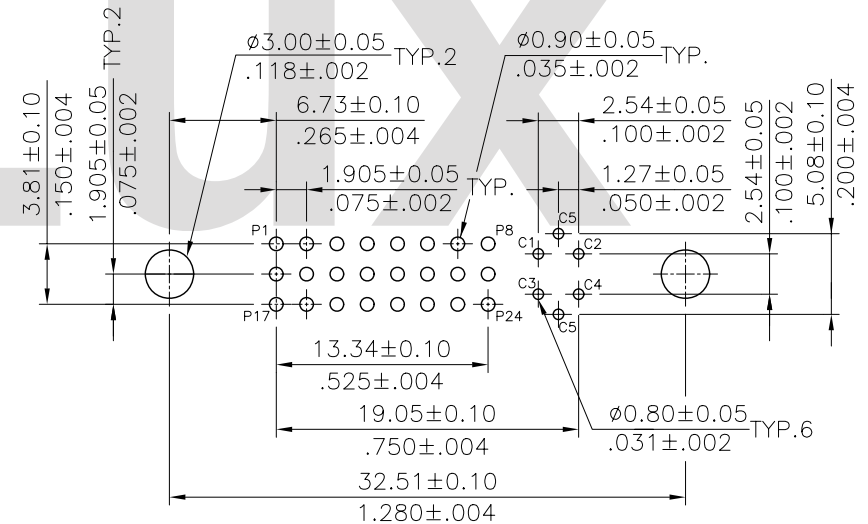
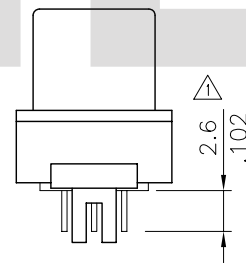
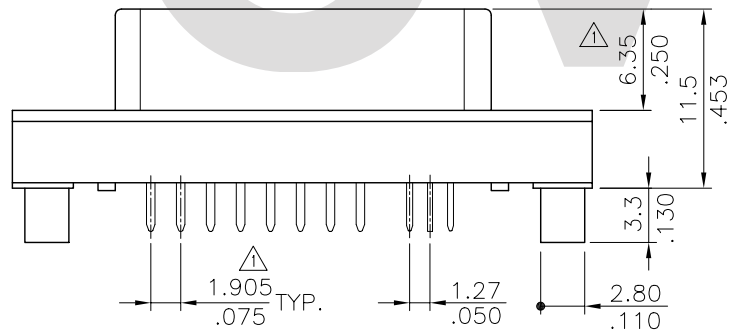
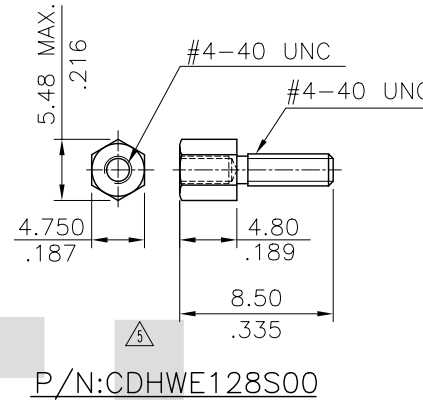
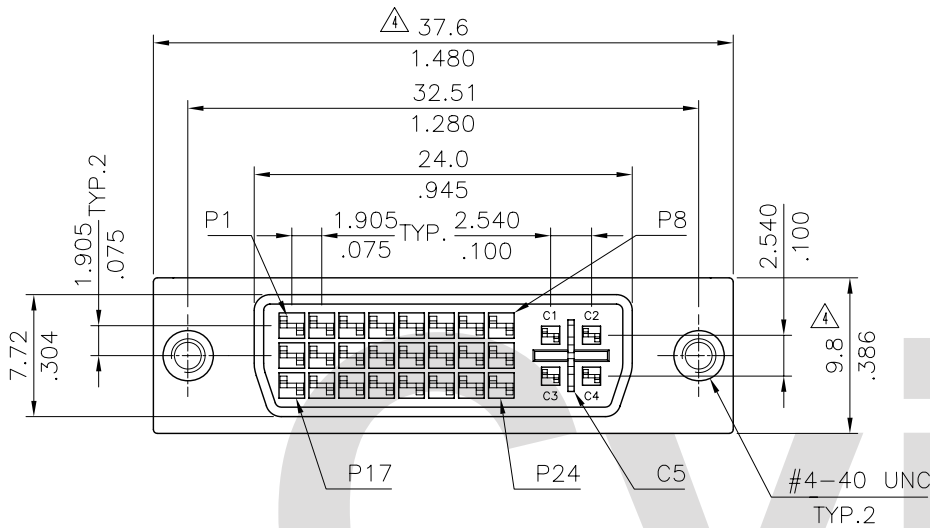
Materials:

- * Insulator: Glass filled PBT UL 94V-0
Color Ivory(Nature)
- * Shell: Zinc alloy with Nickel plated
- △* Contact: Brass

Ordering Code:

CU07 29 S * V I G
① ② ③ ④ ⑤ ⑥ ⑦

- ① Series No.
- ② Contacts: 29= 24+4+1
- ③ Contact type: S= Socket
- ④ Plating code:
A= Selective Gold flash plated over 1.27μm(50μ") Nickel
B= Selective 0.38μm(15μ") Gold plated over 1.27μm(50μ") Nickel
C= Selective 0.76μm(30μ") Gold plated over 1.27μm(50μ") Nickel
- ⑤ Tail style: V= Straight
- ⑥ Product type: I= Integrated Type
- ⑦ Option: G= Attach #4-40 UNC Hex screw



Recommended P.C Board Layout

RoHS Compliant

△4	Sandy	11/27/06'	ECN06421		DATE	UNIT: mm / inch	TITLE: DVI STRAIGHT RECEP. CONN. (INTEGRATED TYPE 24+4+1)		瀚荃股份有限公司 CviLux Corporation				
△3	Sun	9/30/05'	ECR05067-0/ECN05275		DRAWN BY: Sandy	1/23-07'	TOLERANCE UNLESS OTHERWISE SPECIFIED		MATERIAL:	DRAWING NO.	CU0707SF	PART NO.	CU0729S*VIG
△2	SANDY	06/23-04'	ECN04241		ENGINEER: Eisley	1/25-07'	.X ± 0.30/.012 X' ± 1'		FINISH:	SCALE	2 / 1	SHEET	1 OF 1
△5	Sandy	1/22-07'	ECN07025		CHECKED BY: David	1/25-07'	.XX ± 0.20/.008 .X' ±						
SYM	NAME	DATE	REVISIONS		APPROVED BY: Alex	1/25-07'	.XXX ± 0.10/.004 .XX' ±						