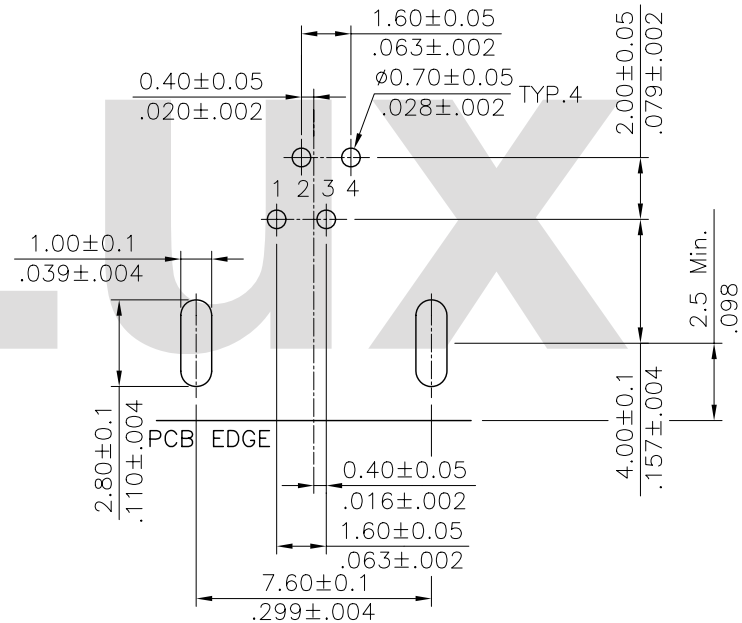
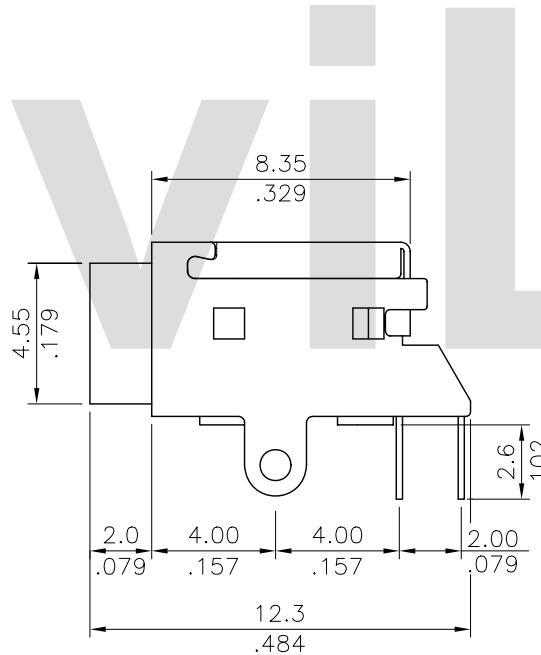


Materials :
 Insulator: LCP+30% G.F. UL 94V-0
 Contacts: Phosphor Bronze
 Contact Plating: See Ordering Code
 Rear shell: Phosphor Bronze
 Front shell: Steel
 ⚠ Plating: 80μ Nickel over 50μ Cu

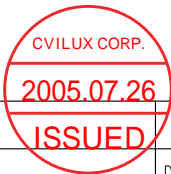
Ordering Code:

CU05 S C H 1 R 00
 ① ② ③ ④ ⑤ ⑥ ⑦

- ① Series No.
- ② S= Socket
- ③ Plating option:
C= Selective 0.76μm(30μ") Gold plated over 1.27μm(50μ") Nickel
- ④ H= Side entry
- ⑤ Insulator Color: 1= Black
- ⑥ R= IEEE 1394 Mini type
⚠ (4 Circuits)/DIP Type
- ⑦ Option: 00= Standard



Recommended P.C. Board Layout



RoHS Compliant

④						DATE	UNIT: mm / inch	TITLE: IEEE 1394 MINI TYPE DIP RECEPTACLE CONNECTOR	瀚荃股份有限公司 CviLux Corporation	
③	Sun	7/01/05'	ECR05062-0/ECN05231	DRAWN BY:	Sun	07/14-05'	TOLERANCE UNLESS OTHERWISE SPECIFIED	MATERIAL:		
②	SUN	10/13/04'	ECR 04093-0/ECN 04400	ENGINEER:	Eisley	07/15-05'	.X ± 0.30/.012 X' ± 1'	FINISH:	DRAWING NO. CU0505SF	PART NO. CU05SCH1R00
①	EDDY	8/06/03	ECN 03239	CHECKED BY:	David	07/19-05'	.XX ± 0.20/.008 .X' ±		SCALE 3 / 1	SHEET 1 OF 1
SYM	NAME	DATE	REVISIONS	APPROVED BY:	Alex	07/19-05'	.XXX ± 0.10/.004 .XX' ±			